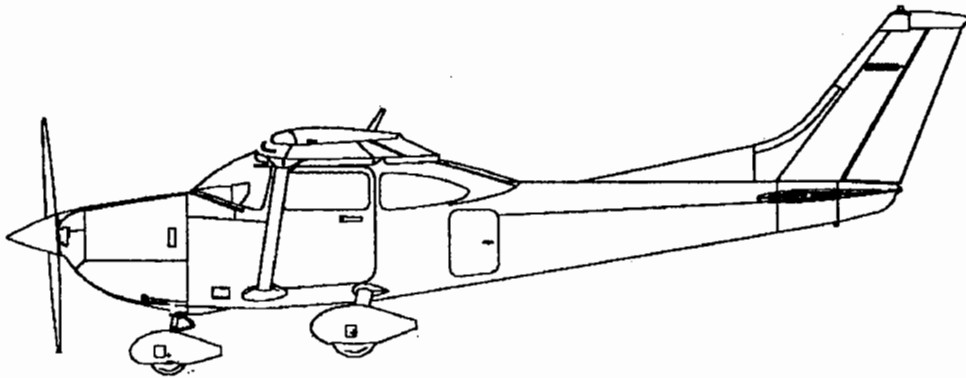

Pilot's Operating Handbook and FAA Approved Airplane Flight Manual



THIS DOCUMENT MUST BE
CARRIED IN THE AIRPLANE
AT ALL TIMES.

Cessna Aircraft
Company

Model 182T

Serial No. 18281060

Registration No. ~~N292LB~~
OY-CSI

This publication includes the material required to be furnished to the pilot by FAR Part 23 and constitutes the FAA Approved Airplane Flight Manual.

FAA APPROVAL

FAA APPROVED UNDER FAR 21 SUBPART J
The Cessna Aircraft Co.
Delegation Option Authorization DOA-100128-CE

Michael D. Walsh Executive Engineer

Date: 22 February 2001

COPYRIGHT © 2001
Cessna Aircraft Company
Wichita, Kansas USA



**THIS MANUAL WAS PROVIDED FOR THE
AIRPLANE IDENTIFIED ON THE TITLE
PAGE ON 10/22/01.
SUBSEQUENT REVISIONS SUPPLIED BY
CESSNA AIRCRAFT COMPANY MUST BE
PROPERLY INSERTED.**

Mike Sharp

Cessna Aircraft Company, Aircraft Division



Pilot's Operating Handbook

and

FAA Approved Airplane Flight Manual

Serial Numbers 18280945 and On

Original Issue - 23 February 2001

Revision 1- 30 April 2001

PART NUMBER: 182TPHUS01

CONGRATULATIONS

Congratulations on your purchase and welcome to Cessna ownership! Your Cessna has been designed and constructed to give you the most in performance, value and comfort.

This Pilot's Operating Handbook has been prepared as a guide to help you get the most utility from your airplane. It contains information about your airplane's equipment, operating procedures, performance and suggested service and care. Please study it carefully and use it as a reference.

The worldwide Cessna Organization and Cessna Customer Service are prepared to serve you. The following services are offered by each Cessna Service Station:

- THE CESSNA AIRPLANE WARRANTIES, which provide coverage for parts and labor, are upheld through Cessna Service Stations worldwide. Warranty provisions and other important information are contained in the Customer Care Program Handbook supplied with your airplane. The Customer Care Card assigned to you at delivery will establish your eligibility under warranty and should be presented to your local Cessna Service Station at the time of warranty service.
- FACTORY TRAINED PERSONNEL to provide you with courteous, expert service.
- FACTORY APPROVED SERVICE EQUIPMENT to provide you efficient and accurate workmanship.
- A STOCK OF GENUINE CESSNA SERVICE PARTS are available when you need them.
- THE LATEST AUTHORITATIVE INFORMATION FOR SERVICING CESSNA AIRPLANES. Cessna Service Stations have all of the current Maintenance Manuals, Illustrated Parts Catalogs and various other support publications produced by Cessna Aircraft Company.

A current Cessna Service Station Directory accompanies your new airplane. The Directory is revised annually, and a current copy can be obtained from your nearest Cessna Service Station.

We urge all Cessna owners/operators to utilize the benefits available within the Cessna Organization.



PERFORMANCE - SPECIFICATIONS

SPEED

Maximum at Sea Level	150 KTS
Cruise, 80% Power at 7000 Ft (Recommended Lean Mixture)	145 KTS

CRUISE: Recommended lean mixture with fuel allowance for engine start, taxi, takeoff, climb and 45 minutes reserve.

80% Power at 7000 Ft	Range	773 NM
87 Gallons Usable Fuel	Time	5.4 HRS
75% Power at 8000 Ft	Range	813 NM
87 Gallons Usable Fuel	Time	5.8 HRS
Max Range at 10,000 Ft, 55% Power ..	Range	930 NM
87 Gallons Usable Fuel	Time	7.6 HRS

RATE OF CLIMB AT SEA LEVEL: 924 FPM

SERVICE CEILING: 18,100 FT

TAKEOFF PERFORMANCE:

Ground Roll	795 FT
Total Distance Over 50 Ft. Obstacle	1514 FT

LANDING PERFORMANCE:

Ground Roll	590 FT
Total Distance Over 50 Ft. Obstacle	1350 FT

STALL SPEED (KCAS):

Flaps Up, Power Off	54 KCAS
Flaps Down, Power Off	49 KCAS

MAXIMUM WEIGHT:

Ramp	3110 LBS
Takeoff	3100 LBS
Landing	2950 LBS



PERFORMANCE-SPECIFICATIONS

(Continued)

STANDARD EMPTY WEIGHT:	1918 LBS
MAXIMUM USEFUL LOAD:	1192 LBS
BAGGAGE ALLOWANCE:	200 LBS
WING LOADING: Lbs/Sq Ft	17.8
POWER LOADING: Lbs/HP	13.5
FUEL CAPACITY:	92 GAL
OIL CAPACITY:	9 QTS
ENGINE: Textron Lycoming	IO-540-AB1A5
230 BHP at 2400 RPM	
PROPELLER: Diameter - 3-Blade	79 IN.

NOTE

The above performance figures are based on the indicated weights, standard atmospheric conditions, level, hard-surfaced dry runways and no wind. They are calculated values derived from flight tests conducted by The Cessna Aircraft Company under carefully documented conditions and will vary with individual airplanes and numerous factors affecting flight performance.



COVERAGE

The Pilot's Operating Handbook in the airplane at the time of delivery from The Cessna Aircraft Company contains information applicable to the Model 182T airplane by serial number and registration number shown on the Title Page. This handbook is applicable to airplane serial number 18280945 and On. All information is based on data available at the time of publication.

This handbook is comprised of nine sections which cover all operational aspects of a standard-equipped airplane. Section 9, Supplements, provides expanded operational procedures for the avionics equipment (both standard and optional), details requirements for foreign certification, and provides information on special operations.

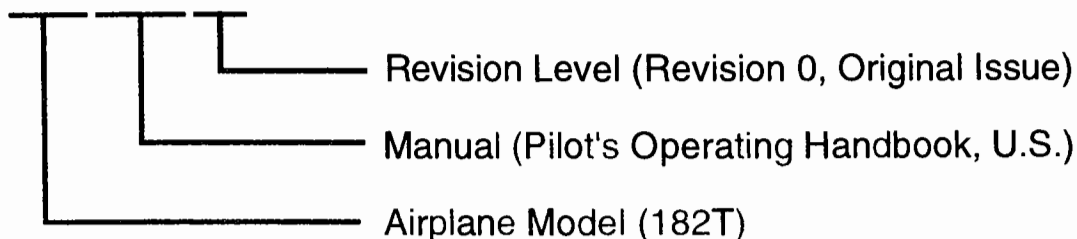
Supplements are individual documents, and may be issued or revised without regard to revision dates which apply to the POH itself. These supplements contain their own Log of Effective Pages, which should be used to determine the status of each supplement.

ORIGINAL ISSUE AND REVISIONS

This Pilot's Operating Handbook and FAA Approved Airplane Flight Manual is comprised of the original issue and any subsequent revisions. To ensure that information in this manual is current, the revisions must be incorporated as they are issued. This manual was originally issued on February 23, 2001. As revisions are issued, they will be noted in the Log of Effective Pages table.

The part number of this manual has also been designed to further aid the owner/operator in determining the revision level of any POH. Refer to the example below for a breakdown:

182T PHUS 00



It is the responsibility of the owner to maintain this handbook in a current status when it is being used for operational purposes. Owners should contact their Cessna Service Station whenever the revision status of their handbook is in question.

Revisions are distributed to owners of U.S. Registered aircraft according to FAA records at the time of revision issuance, and to Internationally Registered aircraft according to Cessna Owner Advisory records at the time of issuance. Revisions should be read carefully upon receipt and incorporated in this POH.

REVISION FILING INSTRUCTIONS

REGULAR REVISIONS

Pages to be removed or inserted in the Pilots' Operating Handbook and FAA Approved Airplane Flight Manual are determined by the Log of Effective Pages located in this section. This log contains the page number and date of issue for each page within the POH. At original issue, all pages will contain the same date. As revisions to the POH occur, these dates will change on effected pages. When two pages display the same page number, the page with the latest date shall be inserted into the POH. The date on the Log Of Effective Pages shall also agree with the latest date of the page in question.

TEMPORARY REVISIONS

Under limited circumstances, temporary revisions to the POH may be issued. These temporary revisions are to be filed in the applicable section in accordance with filing instructions appearing on the first page of the temporary revision.

The recession of a temporary revision is accomplished by incorporation into the POH at revision time or by a superseding temporary revision. In order to accurately track the status of temporary revisions as they pertain to a POH, a Temporary Revision List will be located previous to this section when required. This list will indicate the date the temporary revision was incorporated into the POH, thus authorizing the recession of the temporary revision.



IDENTIFYING REVISED MATERIAL

Additions or revisions to the text in an existing section will be identified by a vertical line (revision bar) adjacent to the applicable revised area on the outer margin of the page.

When technical changes cause unchanged text to appear on a different page, a revision bar will be placed in the outer lower margin of the page, opposite the page number and date of the page, providing no other revision bar appears on the page. These pages will display the current revision date as found in the Original Issue and Revisions paragraph of this section.

When extensive technical changes are made to text in an existing section that requires extensive revision, revision bars will appear the full length of text.

New art added to an existing section will be identified by a single pointing hand indicator adjacent to the figure title and figure number. Existing art which is revised will have a pointing hand adjacent to the portion of the art which has changed.

WARNINGS, CAUTIONS AND NOTES

Throughout the text, warnings, cautions and notes pertaining to airplane handling and operations are utilized. These adjuncts to the text are used to highlight or emphasize important points.

WARNING - Calls attention to use of methods, procedures or limits which must be followed precisely to avoid injury or death to persons.

CAUTION - Calls attention to methods, procedures or limits which must be followed to avoid damage to equipment.

NOTE - Calls attention to additional procedures or information pertaining to the text.



LOG OF EFFECTIVE PAGES (Continued)

<u>PAGE</u>	<u>DATE</u>	<u>PAGE</u>	<u>DATE</u>
5-13	Apr 30/01	6-15	Feb 23/01
5-14	Apr 30/01	6-16	Feb 23/01
5-15	Apr 30/01	6-17	Apr 30/01
5-16	Apr 30/01	6-18	Apr 30/01
5-17	Apr 30/01	6-19	Apr 30/01
5-18	Apr 30/01	6-20	Apr 30/01
5-19	Apr 30/01	6-21	Apr 30/01
5-20	Apr 30/01	6-22	Apr 30/01
5-21	Apr 30/01	6-23	Apr 30/01
5-22	Apr 30/01	6-24	Apr 30/01
5-23	Apr 30/01	7-1	Apr 30/01
5-24	Apr 30/01	7-2	Apr 30/01
5-25	Apr 30/01	7-3	Apr 30/01
5-26	Apr 30/01	7-4 (Blank)	Apr 30/01
5-27	Apr 30/01	7-5	Apr 30/01
5-28	Apr 30/01	7-6	Apr 30/01
5-29	Apr 30/01	7-7	Apr 30/01
5-30	Apr 30/01	7-8	Apr 30/01
5-31	Apr 30/01	7-9	Apr 30/01
5-32	Apr 30/01	7-10	Apr 30/01
5-33	Apr 30/01	7-11	Apr 30/01
5-34	Apr 30/01	7-12	Apr 30/01
5-35	Apr 30/01	7-13	Apr 30/01
5-36	Apr 30/01	7-14	Apr 30/01
6-1	Feb 23/01	7-15	Apr 30/01
6-2 (Blank)	Feb 23/01	7-16	Apr 30/01
6-3	Apr 30/01	7-17	Apr 30/01
6-4	Apr 30/01	7-18	Apr 30/01
6-5	Apr 30/01	7-19	Apr 30/01
6-6	Feb 23/01	7-20	Apr 30/01
6-7	Apr 30/01	7-21	Apr 30/01
6-8	Feb 23/01	7-22	Apr 30/01
6-9	Feb 23/01	7-23	Apr 30/01
6-10	Feb 23/01	7-24	Apr 30/01
6-11	Feb 23/01	7-25	Apr 30/01
6-12	Feb 23/01	7-26	Apr 30/01
6-13	Feb 23/01	7-27	Apr 30/01
6-14	Apr 30/01	7-28	Apr 30/01



LOG OF EFFECTIVE PAGES

(Continued)

<u>PAGE</u>	<u>DATE</u>	<u>PAGE</u>	<u>DATE</u>
7-29	Apr 30/01	8-1	Apr 30/01
7-30	Apr 30/01	8-2	Apr 30/01
7-31	Apr 30/01	8-3	Apr 30/01
7-32	Apr 30/01	8-4	Apr 30/01
7-33	Apr 30/01	8-5	Apr 30/01
7-34	Apr 30/01	8-6	Apr 30/01
7-35	Apr 30/01	8-7	Apr 30/01
7-36	Apr 30/01	8-8	Apr 30/01
7-37	Apr 30/01	8-9	Apr 30/01
7-38	Apr 30/01	8-10	Apr 30/01
7-39	Apr 30/01	8-11	Apr 30/01
7-40	Apr 30/01	8-12	Apr 30/01
7-41	Apr 30/01	8-13	Apr 30/01
7-42	Apr 30/01	8-14	Apr 30/01
7-43	Apr 30/01	8-15	Apr 30/01
7-44	Apr 30/01	8-16	Apr 30/01
7-45	Apr 30/01	8-17	Apr 30/01
7-46	Apr 30/01	8-18	Apr 30/01
7-47	Apr 30/01	8-19	Apr 30/01
7-48	Apr 30/01	8-20	Apr 30/01
7-49	Apr 30/01	8-21	Apr 30/01
7-50	Apr 30/01	8-22	Apr 30/01
7-51	Apr 30/01	8-23	Apr 30/01
7-52	Apr 30/01	8-24	Apr 30/01
7-53	Apr 30/01	9-1	Apr 30/01
7-54 (Blank)	Apr 30/01	9-2 (Blank)	Apr 30/01



LOG OF EFFECTIVE PAGES

The following Log of Effective Pages provides the date of issue for original and revised pages, as well as a listing of all pages in the POH. Pages which are affected by the current revision will carry the date of that revision.

<u>Revision Level</u>	<u>Date of Issue</u>	<u>Revision Level</u>	<u>Date of Issue</u>
0 (Original Issue)	Feb. 23, 2001		
1	Apr. 30, 2001		

<u>PAGE</u>	<u>DATE</u>	<u>PAGE</u>	<u>DATE</u>
Title	Apr 30/01	1-16	Apr 30/01
Assignment Record	Apr 30/01	1-17	Apr 30/01
i	Apr 30/01	1-18	Apr 30/01
ii (Blank)	Apr 30/01	1-19	Apr 30/01
iii	Apr 30/01	1-20	Apr 30/01
iv	Apr 30/01	1-21	Apr 30/01
v	Apr 30/01	1-22	Apr 30/01
vi	Apr 30/01	1-23	Apr 30/01
vii	Apr 30/01	1-24	Apr 30/01
viii	Apr 30/01	1-25	Apr 30/01
ix	Apr 30/01	1-26	Apr 30/01
x	Apr 30/01	2-1	Feb 23/01
xi	Apr 30/01	2-2 (Blank)	Feb 23/01
xii	Apr 30/01	2-3	Apr 30/01
xiii	Apr 30/01	2-4	Feb 23/01
xiv (Blank)	Apr 30/01	2-5	Apr 30/01
1-1	Apr 30/01	2-6	Apr 30/01
1-2	Apr 30/01	2-7	Feb 23/01
1-3	Apr 30/01	2-8	Feb 23/01
1-4	Apr 30/01	2-9	Feb 23/01
1-5	Apr 30/01	2-10	Feb 23/01
1-6	Apr 30/01	2-11	Feb 23/01
1-7	Apr 30/01	2-12	Feb 23/01
1-8	Apr 30/01	2-13	Feb 23/01
1-9	Apr 30/01	2-14 (Blank)	Feb 23/01
1-10	Apr 30/01	3-1	Feb 23/01
1-11	Apr 30/01	3-2	Feb 23/01
1-12	Apr 30/01	3-3	Feb 23/01
1-13	Apr 30/01	3-4	Feb 23/01
1-14	Apr 30/01	3-5	Feb 23/01
1-15	Apr 30/01	3-6	Feb 23/01



LOG OF EFFECTIVE PAGES

(Continued)

<u>PAGE</u>	<u>DATE</u>	<u>PAGE</u>	<u>DATE</u>
3-7	Feb 23/01	4-15	Apr 30/01
3-8	Feb 23/01	4-16	Feb 23/01
3-9	Feb 23/01	4-17	Feb 23/01
3-10	Feb 23/01	4-18	Feb 23/01
3-11	Apr 30/01	4-19	Feb 23/01
3-12	Feb 23/01	4-20	Apr 30/01
3-13	Feb 23/01	4-21	Feb 23/01
3-14	Feb 23/01	4-22	Feb 23/01
3-15	Feb 23/01	4-23	Feb 23/01
3-16	Apr 30/01	4-24	Feb 23/01
3-17	Apr 30/01	4-25	Apr 30/01
3-18	Feb 23/01	4-26	Apr 30/01
3-19	Apr 30/01	4-27	Apr 30/01
3-20	Feb 23/01	4-28	Apr 30/01
3-21	Feb 23/01	4-29	Apr 30/01
3-22	Feb 23/01	4-30	Apr 30/01
3-23	Feb 23/01	4-31	Apr 30/01
3-24 (Blank)	Feb 23/01	4-32	Apr 30/01
4-1	Feb 23/01	4-33	Feb 23/01
4-2	Apr 30/01	4-34 (Blank)	Feb 23/01
4-3	Apr 30/01	5-1	Apr 30/01
4-4 (Blank)	Feb 23/01	5-2 (Blank)	Apr 30/01
4-5	Apr 30/01	5-3	Apr 30/01
4-6	Feb 23/01	5-4	Apr 30/01
4-7	Feb 23/01	5-5	Apr 30/01
4-8	Feb 23/01	5-6	Apr 30/01
4-9	Feb 23/01	5-7	Apr 30/01
4-10	Feb 23/01	5-8	Apr 30/01
4-11	Apr 30/01	5-9	Apr 30/01
4-12	Feb 23/01	5-10	Apr 30/01
4-13	Apr 30/01	5-11	Apr 30/01
4-14	Feb 23/01	5-12	Apr 30/01

TABLE OF CONTENTS

	SECTION
GENERAL	1
LIMITATIONS	2
EMERGENCY PROCEDURES	3
NORMAL PROCEDURES	4
PERFORMANCE	5
WEIGHT & BALANCE/EQUIPMENT LIST	6
AIRPLANE & SYSTEMS DESCRIPTION	7
HANDLING, SERVICE & MAINTENANCE	8
SUPPLEMENTS	9

SECTION 1

GENERAL

TABLE OF CONTENTS	Page
Three View - Normal Ground Attitude	1-2
Introduction	1-4
Descriptive Data	1-4
Engine	1-4
Propeller	1-4
Fuel	1-5
Oil	1-6
Maximum Certificated Weights	1-7
Standard Airplane Weights	1-7
Cabin And Entry Dimensions	1-7
Baggage Space and Entry Dimensions	1-7
Specific Loadings	1-7
Symbols, Abbreviations and Terminology	1-8
General Airspeed Terminology And Symbols	1-8
Meteorological Terminology	1-9
Engine Power Terminology	1-9
Airplane Performance And Flight Planning Terminology ..	1-10
Weight And Balance Terminology	1-11
Metric / Imperial / U.S. Conversion Charts	1-13
Weight Conversions	1-14
Length Conversions	1-16
Distance Conversions	1-20
Volume Conversions	1-21
Temperature Conversions	1-24
Volume to Weight Conversions	1-25
Quick Conversions	1-26

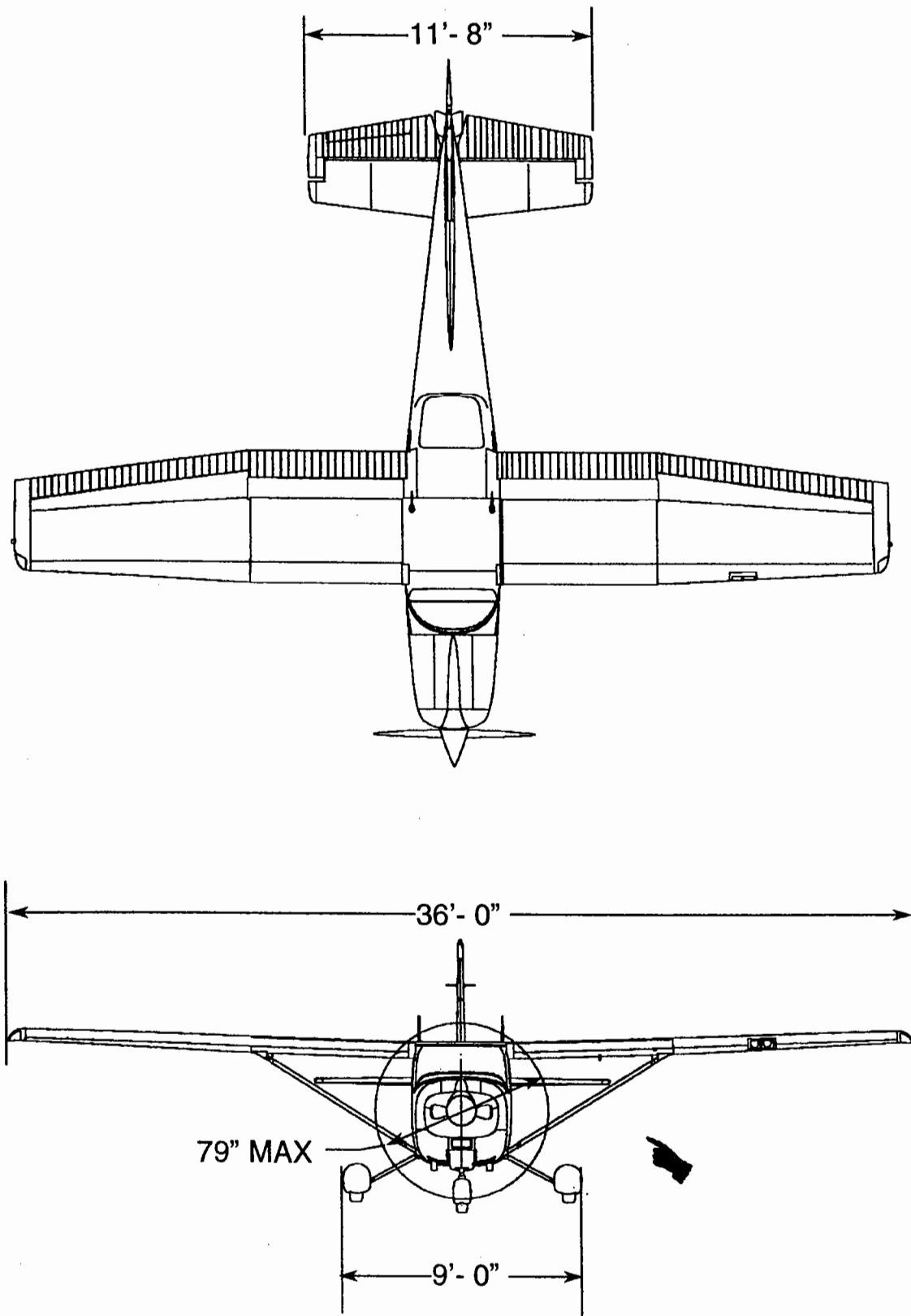
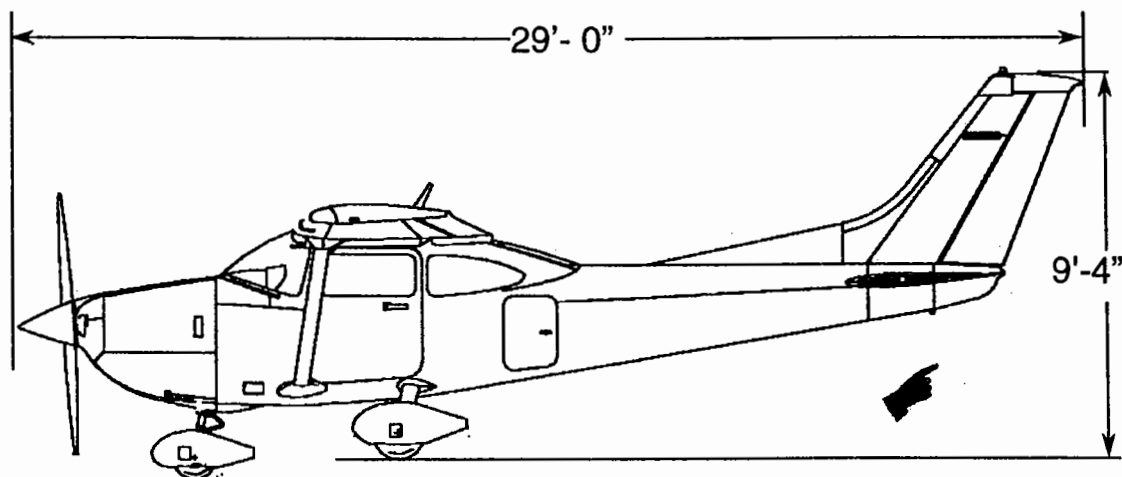
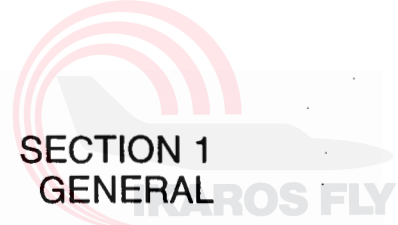


Figure 1-1. Three View - Normal Ground Attitude (Sheet 1 of 2)



NOTE 1: WING SPAN SHOWN WITH STANDARD STROBE LIGHTS INSTALLED.

NOTE 2: WHEEL BASE LENGTH IS 66 1/2".

NOTE 3: PROPELLER GROUND CLEARANCE IS 10 7/8".

NOTE 4: WING AREA IS 174 SQUARE FEET.

NOTE 5: MINIMUM TURNING RADIUS (*PIVOT POINT TO OUTBOARD WING TIP) IS 27' - 0".

NOTE 6: NORMAL GROUND ATTITUDE IS SHOWN WITH NOSE STRUT SHOWING APPROXIMATELY 2" OF STRUT, AND WINGS LEVEL.

0785T1001

Figure 1-1. Three View - Normal Ground Attitude (Sheet 2 of 2)



INTRODUCTION

This handbook contains 9 sections, and includes the material required to be furnished to the pilot by FAR Part 23. It also contains supplemental data supplied by Cessna Aircraft Company.

Section 1 provides basic data and information of general interest. It also contains definitions or explanations of symbols, abbreviations, and terminology commonly used.

DESCRIPTIVE DATA

ENGINE

Number of Engines: 1.

Engine Manufacturer: Textron Lycoming.

Engine Model Number: IO-540-AB1A5.

Engine Type: Normally aspirated, direct drive, air-cooled, horizontally opposed, fuel injected, six cylinder engine with 541 cu. in. displacement.

Horsepower Rating and Engine Speed: 230 rated BHP at 2400 RPM.

PROPELLER

Propeller Manufacturer: McCauley Propeller Systems.

Propeller Model Number: B3D36C431/80VSA-1.

Number of Blades: 3.

Propeller Diameter: 79.0 inches.

Propeller Type: Constant speed and hydraulically actuated, with a low pitch setting of 14.9° and a high pitch setting of 31.7° (30 inch station).

FUEL

WARNING

USE OF UNAPPROVED FUELS MAY RESULT IN DAMAGE TO THE ENGINE AND FUEL SYSTEM COMPONENTS, RESULTING IN POSSIBLE ENGINE FAILURE.

Approved Fuel Grades (and Colors):
100LL Grade Aviation Fuel (Blue).
100 Grade Aviation Fuel (Green).

NOTE

Isopropyl alcohol or diethylene glycol monomethyl ether (DiEGME) may be added to the fuel supply. Additive concentrations shall not exceed 1% for isopropyl alcohol or 0.10% to 0.15% for DiEGME. Refer to Section 8 for additional information.

Fuel Capacity:

Total Capacity:	92.0 U.S. gallons.
Total Usable:	87.0 U.S. gallons.
Total Capacity Each Tank:	46.0 U.S. gallons.
Total Usable Each Tank:	43.5 U.S. gallons.

NOTE

To ensure maximum fuel capacity and minimize cross-feeding when refueling, always park the airplane in a wings-level, normal ground attitude and place the fuel selector in the Left or Right position. Refer to Figure 1-1 for normal ground attitude dimensions.



OIL

Oil Specification:

MIL-L-6082 or SAE J1966 Aviation Grade Straight Mineral Oil: Used when the airplane was delivered from the factory and should be used to replenish the supply during the first 25 hours. This oil should be drained and the filter changed after the first 25 hours of operation. Refill the engine with MIL-L-6082 or SAE J1966 Aviation Grade Straight Mineral Oil and continue to use until a total of 50 hours has accumulated or oil consumption has stabilized.

MIL-L-22851 or SAE J1899 Aviation Grade Ashless Dispersant Oil: Oil conforming to Textron Lycoming Service Instruction No 1014, and all revisions and supplements thereto, **must be used** after first 50 hours or once oil consumption has stabilized.

Recommended Viscosity for Temperature Range:

Temperature	MIL-L-6082 SAE Grade	MIL-L-22851 Ashless Dispersant SAE Grade
Above 27°C (80°F)	60	60
Above 16°C (60°F)	50	40 or 50
-1°C (30°F) to 32°C (90°F)	40	40
-18°C (0°F) to 21°C (70°F)	30	30, 40 or 20W-40
Below -12°C (10°F)	20	30 or 20W-30
-18°C (0°F) - 32°C (90°F)	20W-50	20W-50 or 15W-50
All Temperatures	----	15W-50 or 20W-50

NOTE

When operating temperatures overlap, use the lighter grade of oil.

Oil Capacity:

Sump: 8 U.S. Quarts
Total: 9 U.S. Quarts

MAXIMUM CERTIFICATED WEIGHTS

Ramp Weight : 3110 lbs.
Takeoff Weight: 3100 lbs.
Landing Weight : 2950 lbs.

Weight in Baggage Compartment, Normal Category:

Baggage Area A (Station 82 to 109): 120 lbs. See note below.
Baggage Area B (Station 109 to 124): 80 lbs. See note below.
Baggage Area C (Station 124 to 134): 80 lbs. See note below.

NOTE

The maximum allowable combined weight capacity for baggage in areas A, B and C is 200 pounds. The maximum allowable weight capacity for baggage in areas B and C is 80 pounds.

STANDARD AIRPLANE WEIGHTS

Standard Empty Weight: 1918 lbs.
Maximum Useful Load, Normal Category: 1192 lbs.

CABIN AND ENTRY DIMENSIONS

Detailed dimensions of the cabin interior and entry door openings are illustrated in Section 6.

BAGGAGE SPACE AND ENTRY DIMENSIONS

Dimensions of the baggage area and baggage door opening are illustrated in detail in Section 6.

SPECIFIC LOADINGS

Wing Loading: 17.8 lbs./sq. ft.
Power Loading: 13.5 lbs./hp.



SYMBOLS, ABBREVIATIONS AND TERMINOLOGY

GENERAL AIRSPEED TERMINOLOGY AND SYMBOLS

KCAS	Knots Calibrated Airspeed is indicated airspeed corrected for position and instrument error and expressed in knots. Knots calibrated airspeed is equal to KTAS in standard atmosphere at sea level.
IAS	Knots Indicated Airspeed is the speed shown on the airspeed indicator and expressed in knots.
KTAS	Knots True Airspeed is the airspeed expressed in knots relative to undisturbed air which is KCAS corrected for altitude and temperature.
V_A	Maneuvering Speed is the maximum speed at which full or abrupt control movements may be used.
V_{FE}	Maximum Flap Extended Speed is the highest speed permissible with wing flaps in a prescribed extended position.
V_{NO}	Maximum Structural Cruising Speed is the speed that should not be exceeded except in smooth air, then only with caution.
V_{NE}	Never Exceed Speed is the speed limit that may not be exceeded at any time.
V_S	Stalling Speed or the minimum steady flight speed is the minimum speed at which the airplane is controllable.
V_{SO}	Stalling Speed or the minimum steady flight speed is the minimum speed at which the airplane is controllable in the landing configuration at the most forward center of gravity.

V_X **Best Angle-of-Climb Speed** is the speed which results in the greatest gain of altitude in a given horizontal distance.

V_Y **Best Rate-of-Climb Speed** is the speed which results in the greatest gain in altitude in a given time.

METEOROLOGICAL TERMINOLOGY

OAT **Outside Air Temperature** is the free air static temperature. It may be expressed in either degrees Celsius or degrees Fahrenheit.

Standard Temperature **Standard Temperature** is 15°C at sea level pressure altitude and decreases by 2°C for each 1000 feet of altitude.

Pressure Altitude **Pressure Altitude** is the altitude read from an altimeter when the altimeter's barometric scale has been set to 29.92 inches of mercury (1013 mb).

ENGINE POWER TERMINOLOGY

BHP **Brake Horsepower** is the power developed by the engine.

RPM **Revolutions Per Minute** is engine speed.

Static RPM **Static RPM** is engine speed attained during a full throttle engine runup when the airplane is on the ground and stationary.

MP **Manifold Pressure** is a pressure measured in the engine's induction system and is expressed in inches of mercury (in Hg).



AIRPLANE PERFORMANCE AND FLIGHT PLANNING TERMINOLOGY

Demonstrated Crosswind Velocity	Demonstrated Crosswind Velocity is the velocity of the crosswind component for which adequate control of the airplane during takeoff and landing was actually demonstrated during certification tests. The value shown is not considered to be limiting.
Usable Fuel	Usable Fuel is the fuel available for flight planning.
Unusable Fuel	Unusable Fuel is the quantity of fuel that can not be safely used in flight.
GPH	Gallons Per Hour is the amount of fuel consumed per hour.
NMPG	Nautical Miles Per Gallon is the distance which can be expected per gallon of fuel consumed at a specific engine power setting and/or flight configuration.
g	g is acceleration due to gravity.
Course Datum	Course Datum is the compass reference used by the autopilot, along with course deviation, to provide lateral control when tracking a navigation signal.

WEIGHT AND BALANCE TERMINOLOGY

Reference Datum	Reference Datum is an imaginary vertical plane from which all horizontal distances are measured for balance purposes.
Station	Station is a location along the airplane fuselage given in terms of the distance from the reference datum.
Arm	Arm is the horizontal distance from the reference datum to the center of gravity (C.G.) of an item.
Moment	Moment is the product of the weight of an item multiplied by its arm. (Moment divided by the constant 1000 is used in this handbook to simplify balance calculations by reducing the number of digits.)
Center of Gravity (C.G.)	Center of Gravity is the point at which an airplane, or equipment, would balance if suspended. Its distance from the reference datum is found by dividing the total moment by the total weight of the airplane.
C.G. Arm	Center of Gravity Arm is the arm obtained by adding the airplane's individual moments and dividing the sum by the total weight.
C.G. Limits	Center of Gravity Limits are the extreme center of gravity locations within which the airplane must be operated at a given weight.
Standard Empty Weight	Standard Empty Weight is the weight of a standard airplane, including unusable fuel, full operating fluids and full engine oil.
Basic Empty Weight	Basic Empty Weight is the standard empty weight plus the weight of optional equipment.
Useful Load	Useful Load is the difference between ramp weight and the basic empty weight.
MAC	MAC (Mean Aerodynamic Chord) is a chord of an imaginary rectangular airfoil having the same pitching moments throughout the flight range as that of the actual wing.



Maximum
Ramp
Weight

Maximum Ramp Weight is the maximum weight approved for ground maneuver, and includes the weight of fuel used for start, taxi and runup.

Maximum
Takeoff
Weight

Maximum Takeoff Weight is the maximum weight approved for the start of the takeoff roll.

Maximum
Landing
Weight

Maximum Landing Weight is the maximum weight approved for the landing touchdown.

Tare

Tare is the weight of chocks, blocks, stands, etc. used when weighing an airplane, and is included in the scale readings. Tare is deducted from the scale reading to obtain the actual (net) airplane weight.

METRIC / IMPERIAL / U.S. CONVERSION CHARTS

The following charts have been provided to help international operators convert U.S. measurement supplied with the Pilot's Operating Handbook into metric and imperial measurements.

The standard followed for measurement units shown, is the National Institute of Standards Technology (NIST), Publication 811, "Guide for the Use of the International System of Units (SI)."

Please refer to the following pages for these charts.



(Kilograms × 2.205 = Pounds)

(Pounds × .454 = Kilograms)

**KILOGRAMS INTO POUNDS
KILOGRAMMES EN LIVRES**

kg	0	1	2	3	4	5	6	7	8	9
	lb.	lb.	lb.	lb.	lb.	lb.	lb.	lb.	lb.	lb.
0		2.205	4.409	6.614	8.819	11.023	13.228	15.432	17.637	19.842
10	22.046	24.251	26.456	28.660	30.865	33.069	35.274	37.479	39.683	41.888
20	44.093	46.297	48.502	50.706	52.911	55.116	57.320	59.525	61.729	63.934
30	66.139	68.343	70.548	72.753	74.957	77.162	79.366	81.571	83.776	85.980
40	88.185	90.390	92.594	94.799	97.003	99.208	101.41	103.62	105.82	108.03
50	110.23	112.44	114.64	116.85	119.05	121.25	123.46	125.66	127.87	130.07
60	132.28	134.48	136.69	138.89	141.10	143.30	145.51	147.71	149.91	152.12
70	154.32	156.53	158.73	160.94	163.14	165.35	167.55	169.76	171.96	174.17
80	176.37	178.57	180.78	182.98	185.19	187.39	189.60	191.80	194.01	196.21
90	198.42	200.62	202.83	205.03	207.24	209.44	211.64	213.85	216.05	218.26
100	220.46	222.67	224.87	227.08	229.28	231.49	233.69	235.90	238.10	240.30

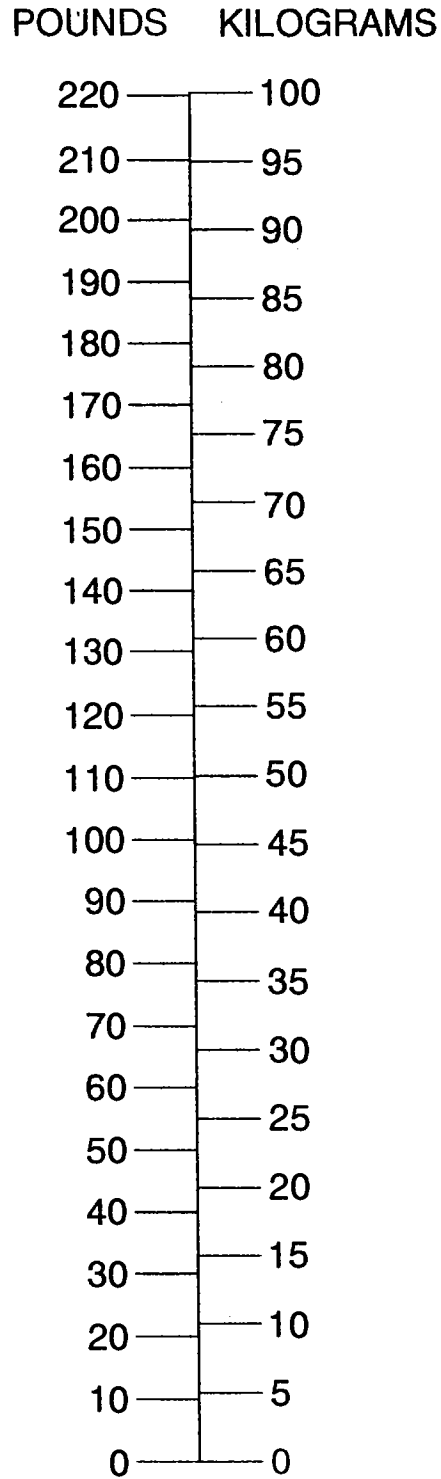
**POUNDS INTO KILOGRAMS
LIVRES EN KILOGRAMMES**

lb.	0	1	2	3	4	5	6	7	8	9
	kg	kg	kg	kg	kg	kg	kg	kg	kg	kg
0		0.454	0.907	1.361	1.814	2.268	2.722	3.175	3.629	4.082
10	4.536	4.990	5.443	5.897	6.350	6.804	7.257	7.711	8.165	8.618
20	9.072	9.525	9.979	10.433	10.886	11.340	11.793	12.247	12.701	13.154
30	13.608	14.061	14.515	14.969	15.422	15.876	16.329	16.783	17.237	17.690
40	18.144	18.597	19.051	19.504	19.958	20.412	20.865	21.319	21.772	22.226
50	22.680	23.133	23.587	24.040	24.494	24.948	25.401	25.855	26.303	26.762
60	27.216	27.669	28.123	28.576	29.030	29.484	29.937	30.391	30.844	31.298
70	31.752	32.205	32.659	33.112	33.566	34.019	34.473	34.927	35.380	35.834
80	36.287	36.741	37.195	37.648	38.102	38.555	39.009	39.463	39.916	40.370
90	40.823	41.277	41.731	42.184	42.638	43.091	43.545	43.999	44.452	44.906
100	45.359	45.813	46.266	46.720	47.174	47.627	48.081	48.534	48.988	49.442

Figure 1-2. Weight Conversions (Sheet 1 of 2)

(Kilograms \times 2.205 = Pounds)

(Pounds \times .454 = Kilograms)



Units \times 10, 100, etc.

0585T1027

Figure 1-2 . Weight Conversions (Sheet 2 of 2) 



(Meters x 3.281 = Feet)

(Feet x .305 = Meters)

**METERS INTO FEET
METRES EN PIEDS**

m	0	1	2	3	4	5	6	7	8	9
	feet	feet	feet	feet	feet	feet	feet	feet	feet	feet
0	---	3.281	6.562	9.842	13.123	16.404	19.685	22.956	26.247	29.528
10	32.808	36.089	39.370	42.651	45.932	49.212	52.493	55.774	59.055	62.336
20	65.617	68.897	72.178	75.459	78.740	82.021	85.302	88.582	91.863	95.144
30	98.425	101.71	104.99	108.27	111.55	114.83	118.11	121.39	124.67	127.95
40	131.23	134.51	137.79	141.08	144.36	147.64	150.92	154.20	157.48	160.76
50	164.04	167.32	170.60	173.86	177.16	180.45	183.73	187.01	190.29	193.57
60	195.85	200.13	203.41	206.69	209.97	213.25	216.53	219.82	223.10	226.38
70	229.66	232.94	236.22	239.50	242.78	246.06	249.34	252.62	255.90	259.19
80	262.47	265.75	269.03	272.31	275.59	278.87	282.15	285.43	288.71	291.58
90	295.27	298.56	301.84	305.12	308.40	311.68	314.96	318.24	321.52	324.80
100	328.08	331.36	334.64	337.93	341.21	344.49	347.77	351.05	354.33	357.61

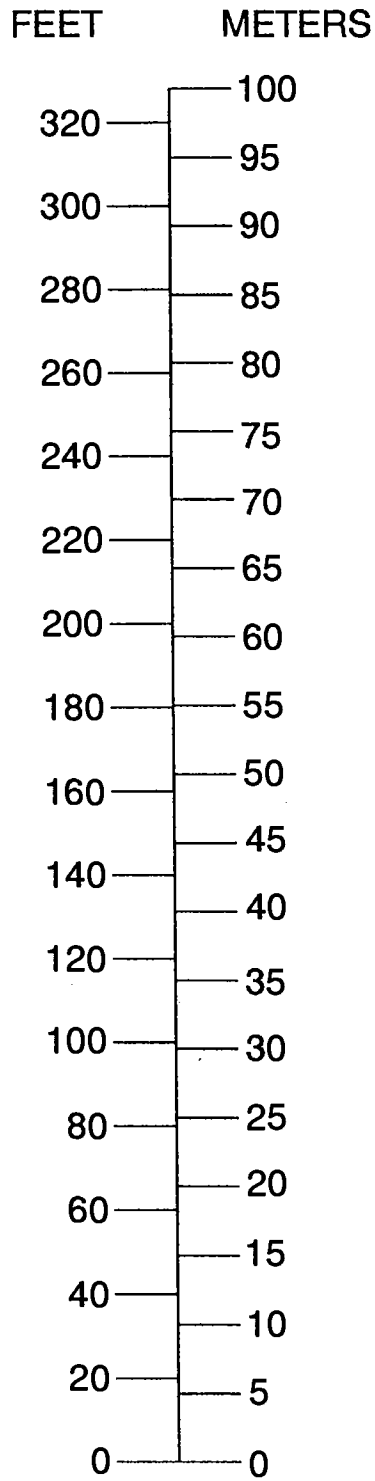
**FEET INTO METERS
PIEDS EN METRES**

ft	0	1	2	3	4	5	6	7	8	9
	m	m	m	m	m	m	m	m	m	m
0	---	0.305	0.610	0.914	1.219	1.524	1.829	2.134	2.438	2.743
10	3.048	3.353	3.658	3.962	4.267	4.572	4.877	5.182	5.486	5.791
20	6.096	6.401	6.706	7.010	7.315	7.620	7.925	8.230	8.534	8.839
30	9.144	9.449	9.754	10.058	10.363	10.668	10.973	11.278	11.582	11.887
40	12.192	12.497	12.802	13.106	13.411	13.716	14.021	14.326	14.630	14.935
50	15.240	15.545	15.850	16.154	16.459	16.754	17.069	17.374	17.678	17.983
60	18.288	18.593	18.898	19.202	19.507	19.812	20.117	20.422	20.726	21.031
70	21.336	21.641	21.946	22.250	22.555	22.860	23.165	23.470	23.774	24.079
80	24.384	24.689	24.994	25.298	25.603	25.908	26.213	26.518	26.822	27.127
90	27.432	27.737	28.042	28.346	28.651	28.956	29.261	29.566	29.870	30.175
100	30.480	30.785	31.090	31.394	31.699	32.004	32.309	32.614	32.918	33.223

Figure 1-3. Length Conversions (Sheet 1 of 2)

(Meters \times 3.281 = Feet)

(Feet \times .305 = Meters)



Units \times 10, 100, etc.

Figure 1-3 . Length Conversions (Sheet 2 of 2) 



(Centimeters × .394 = Inches) (Inches × 2.54 = Centimeters)

**CENTIMETERS INTO INCHES
CENTIMETRES EN POUCES**

cm	0	1	2	3	4	5	6	7	8	9
	in.	in.	in.	in.	in.	in.	in.	in.	in.	in.
0	---	0.394	0.787	1.181	1.575	1.969	2.362	2.756	3.150	3.543
10	3.937	4.331	4.724	5.118	5.512	5.906	6.299	6.693	7.087	7.480
20	7.874	8.268	8.661	9.055	9.449	9.843	10.236	10.630	11.024	11.417
30	11.811	12.205	12.598	12.992	13.386	13.780	14.173	14.567	14.961	15.354
40	15.748	16.142	16.535	16.929	17.323	17.717	18.110	18.504	18.898	19.291
50	19.685	20.079	20.472	20.866	21.260	21.654	22.047	22.441	22.835	23.228
60	23.622	24.016	24.409	24.803	25.197	25.591	25.984	26.378	26.772	27.164
70	27.559	27.953	28.346	28.740	29.134	29.528	29.921	30.315	30.709	31.102
80	31.496	31.890	32.283	32.677	33.071	33.465	33.858	34.252	34.646	35.039
90	35.433	35.827	36.220	36.614	37.008	37.402	37.795	38.189	38.583	38.976
100	39.370	39.764	40.157	40.551	40.945	41.339	41.732	42.126	42.520	42.913

**INCHES INTO CENTIMETERS
POUCES EN CENTIMETRES**

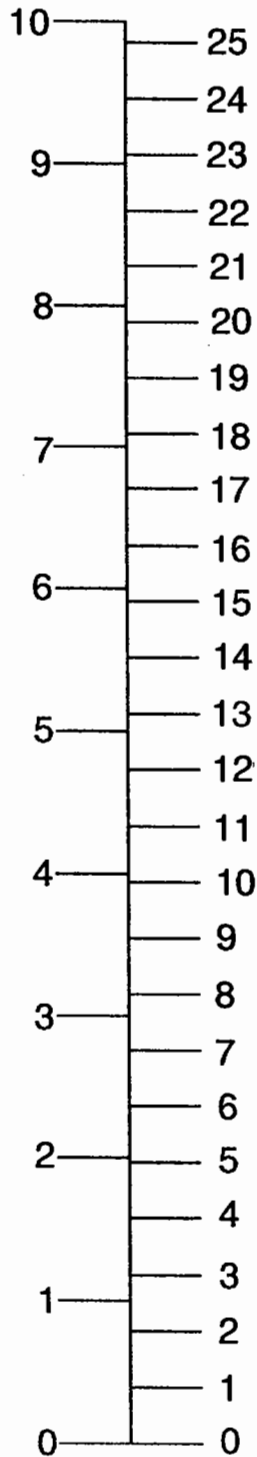
in.	0	1	2	3	4	5	6	7	8	9
	cm	cm	cm	cm	cm	cm	cm	cm	cm	cm
0	---	2.54	5.08	7.62	10.16	12.70	15.24	17.78	20.32	22.96
10	25.40	27.94	30.48	33.02	35.56	38.10	40.64	43.18	45.72	48.26
20	50.80	53.34	55.88	58.42	60.96	63.50	66.04	68.58	71.12	73.66
30	76.20	78.74	81.28	83.82	86.36	88.90	91.44	93.98	96.52	99.06
40	101.60	104.14	106.68	109.22	111.76	114.30	116.84	119.38	121.92	124.46
50	127.00	129.54	132.08	134.62	137.16	139.70	142.24	144.78	147.32	149.86
60	152.40	154.94	157.48	160.02	162.56	165.10	167.64	170.18	172.72	175.26
70	177.80	180.34	182.88	185.42	187.96	190.50	193.04	195.58	198.12	200.66
80	203.20	205.74	208.28	210.82	213.36	215.90	218.44	220.98	223.52	226.06
90	228.60	231.14	233.68	236.22	238.76	241.30	243.84	246.38	248.92	251.46
100	254.00	256.54	259.08	261.62	264.16	266.70	269.24	271.78	274.32	276.86



Figure 1-4. Length Conversions (Sheet 1 of 2)

(Centimeters × .394 = Inches) (Inches × 2.54 = Centimeters)

INCHES CENTIMETERS



Units × 10, 100, etc.

0585T1028

2 = 1

DNS
IAL

6

IG

320

520

719

919

119

319

518

718

918

118

318

ERS
ES

3

Lt

276

735

3.20

3.66

3.11

1.57

0.03

5.49

0.95

3.41

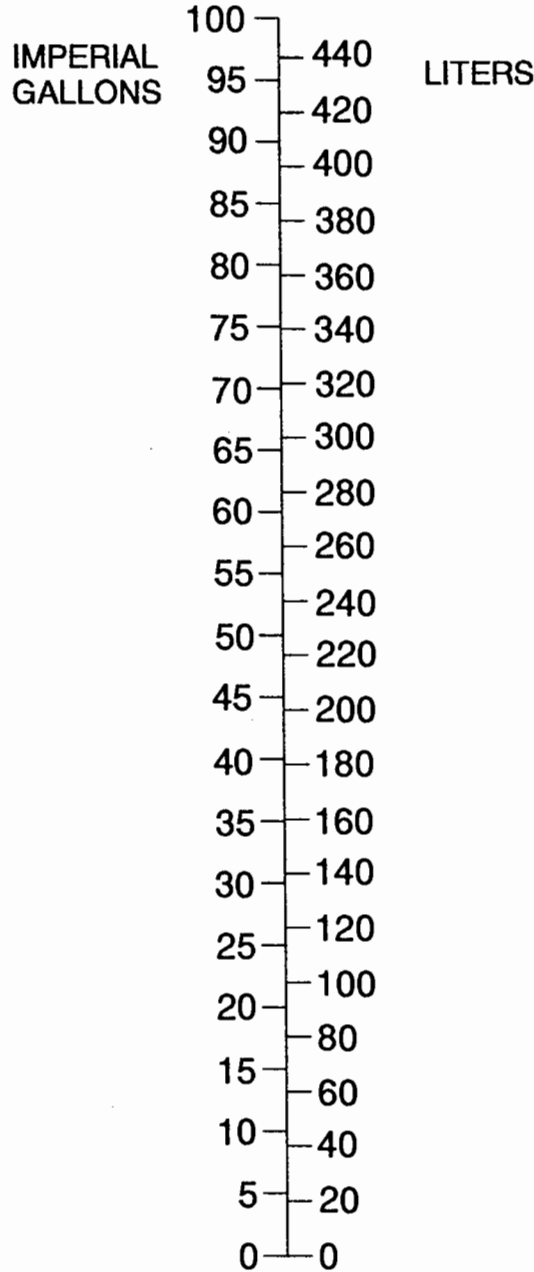
1.87

Figure 1-4. Length Conversions (Sheet 2 of 2)

She



(Imperial Gallons × 4.4546 = Liters)
(Liters × .22 = Imperial Gallons)



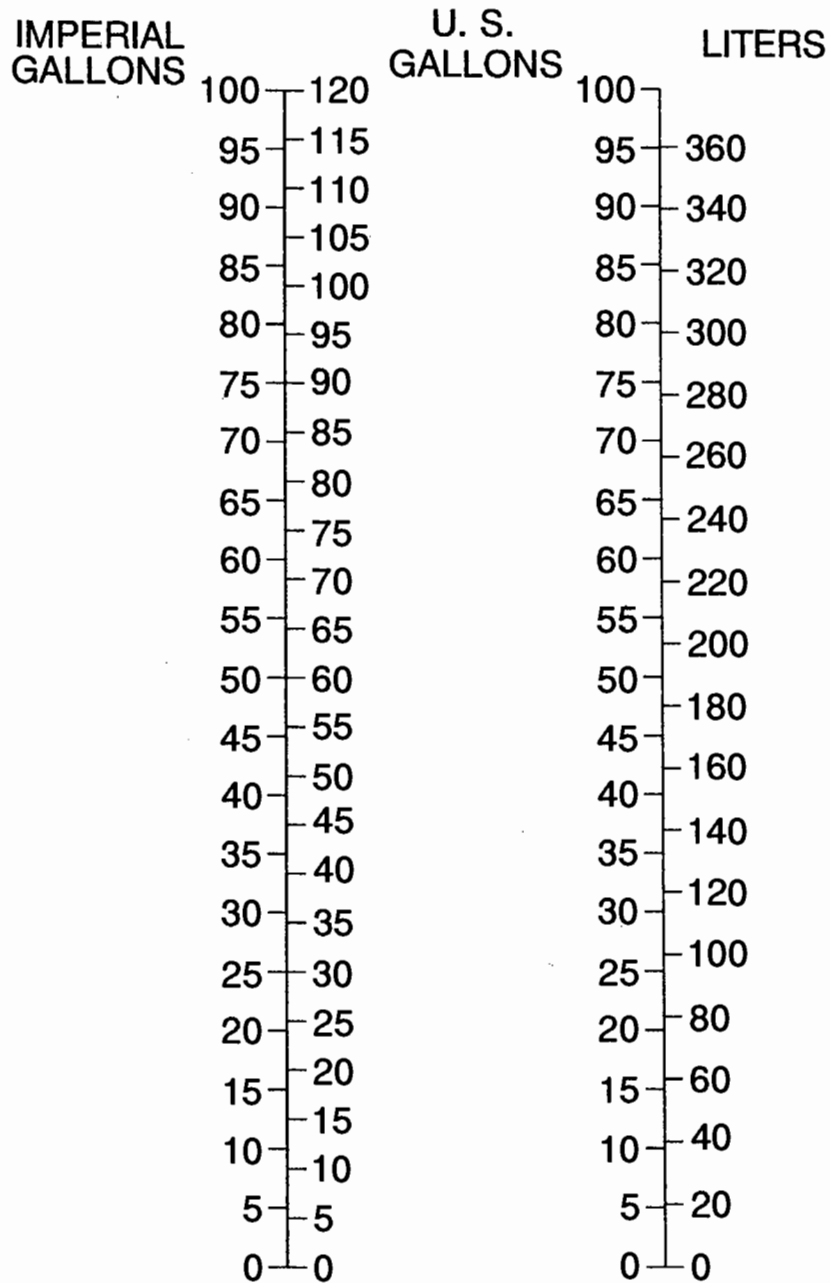
Units × 10, 100, etc.

0585T1032



Figure 1-6. Volume Conversions (Sheet 2 of 3)

(Imperial Gallons × 1.2 = U.S. Gallons)
 (U.S. Gallons × .833 = Imperial Gallons)
 (U.S. Gallons × 3.785 = Liters)
 (Liters × .264 = U.S. Gallons)



Units × 10, 100, etc.

0585T1033

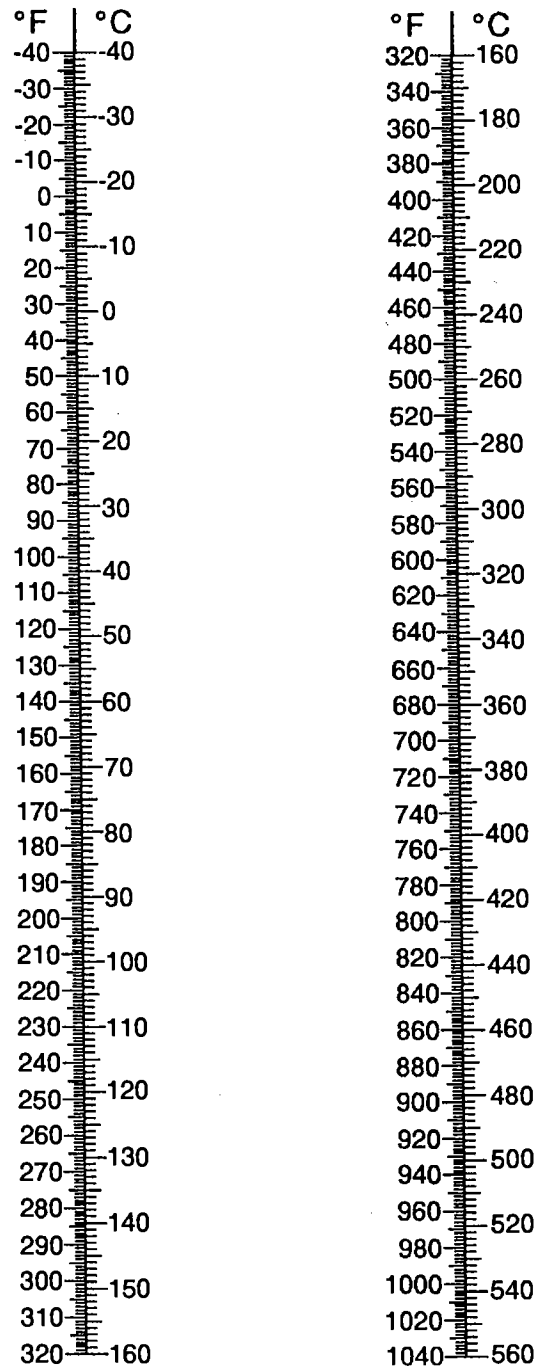
Figure 1-6. Volume Conversions (Sheet 3 of 3)



TEMPERATURE CONVERSIONS

$$(^{\circ}\text{F} - 32) \times 5/9 = ^{\circ}\text{C}$$

$$^{\circ}\text{C} \times 9/5 + 32 = ^{\circ}\text{F}$$



0585T1034

Figure 1-7. Temperature Conversions

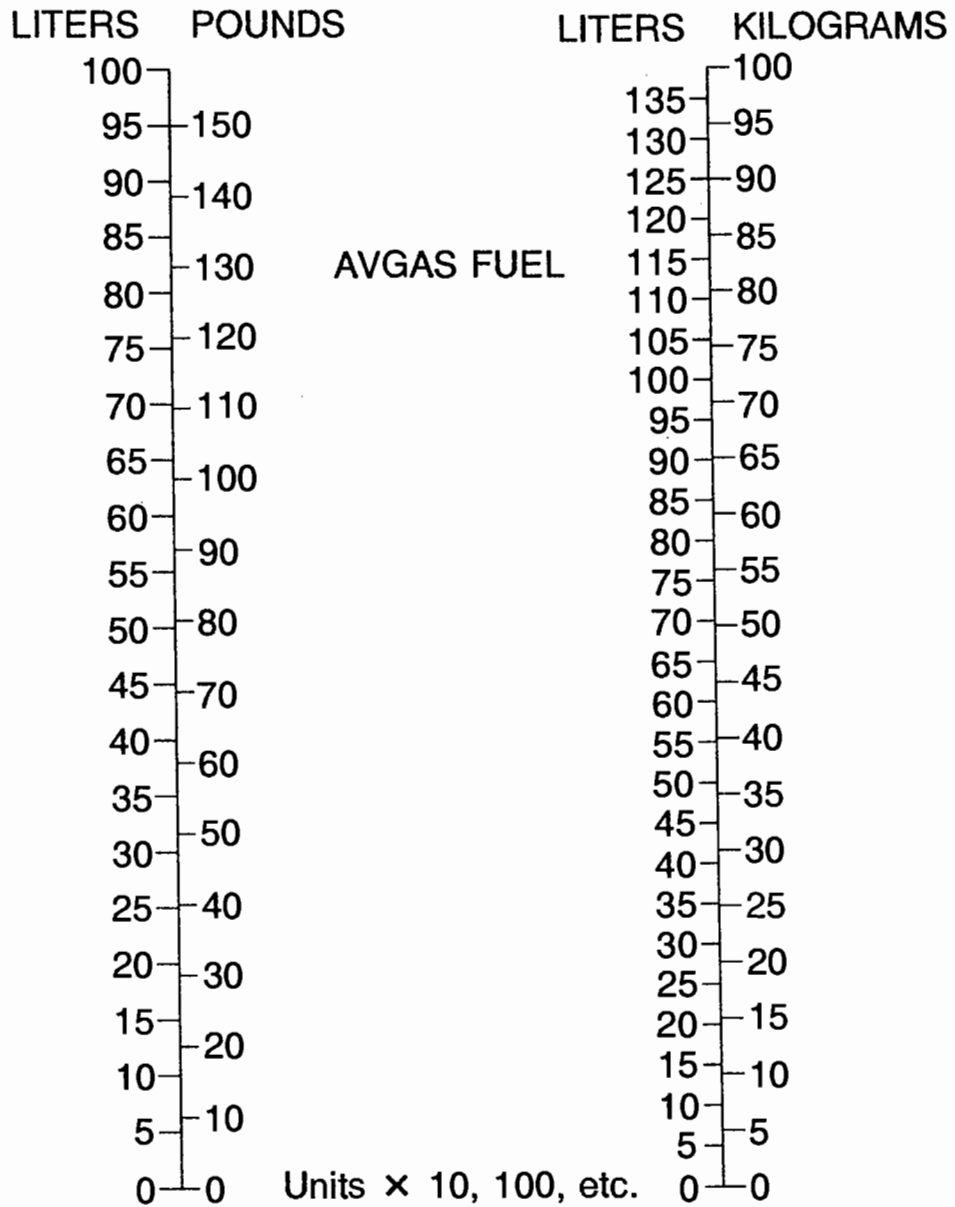
AVGAS Specific Gravity = .72

(Liters X .72 = Kilograms)

(Kilograms X 1.389 = Liters)

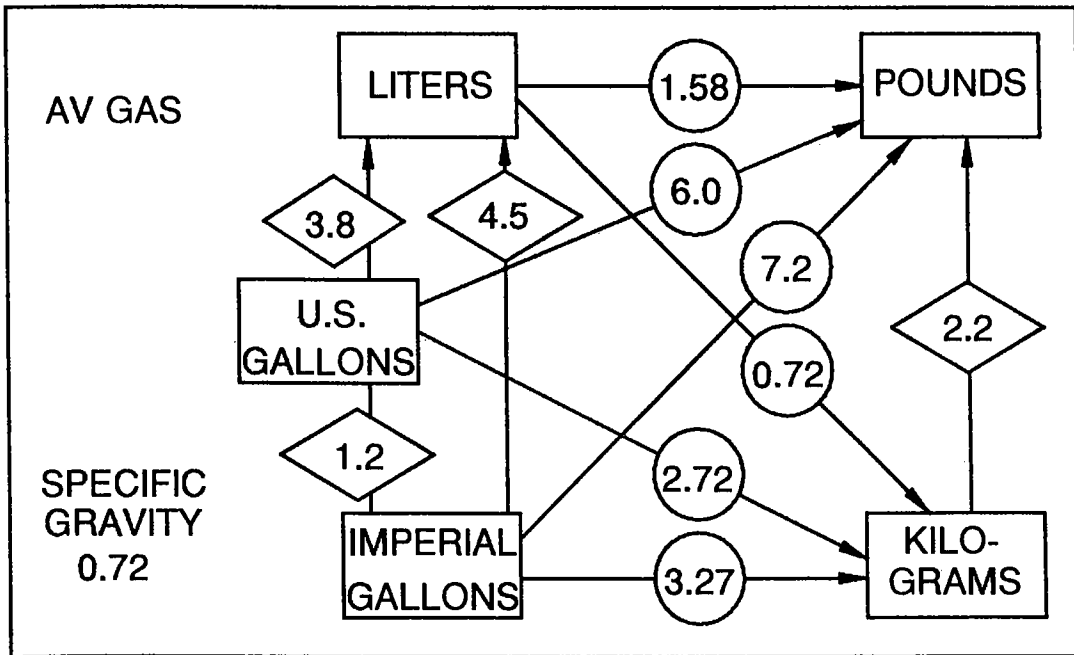
(Liters X 1.58 = Pounds)

(Pounds X .633 = Liters)



0585T1030

Figure 1-8. Volume to Weight Conversion



0585T1031



Figure 1-9. Quick Conversions



SECTION 2 LIMITATIONS

TABLE OF CONTENTS

	Page
Introduction	2-3
Airspeed Limitations	2-4
Airspeed Indicator Markings	2-5
Powerplant Limitations	2-5
Powerplant Instrument Markings	2-6
Weight Limits	2-7
Center Of Gravity Limits	2-7
Maneuver Limits	2-8
Flight Load Factor Limits	2-8
Kinds Of Operation Limits	2-8
Fuel Limitations	2-8
Other Limitations	2-9
Flap Limitations	2-9
Placards	2-10



INTRODUCTION

Section 2 includes operating limitations, instrument markings, and basic placards necessary for the safe operation of the airplane, its engine, standard systems and standard equipment. The limitations included in this section and in Section 9 have been approved by the Federal Aviation Administration. Observance of these operating limitations is required by Federal Aviation Regulations.

NOTE

Refer to Supplements, Section 9 of this Handbook for amended operating limitations, operating procedures, performance data and other necessary information for airplanes equipped with specific options.

NOTE

The airspeeds listed in the Airspeed Limitations chart (Figure 2-1) and the Airspeed Indicator Markings chart (Figure 2-2) are based on Airspeed Calibration data shown in Section 5 with the normal static source. If the alternate static source is being used, ample margins should be observed to allow for the airspeed calibration variations between the normal and alternate static sources as shown in Section 5.

The Cessna Model No. 182T is certificated under FAA Type Certificate No. 3A13.



AIRSPEED LIMITATIONS

Airspeed limitations and their operational significance are shown in Figure 2-1.

SYMBOL	SPEED	KCAS	KIAS	REMARKS
V_{NE}	Never Exceed Speed	171	175	Do not exceed this speed in any operation.
V_{NO}	Maximum Structural Cruising Speed	136	140	Do not exceed this speed except in smooth air, and then only with caution.
V_A	Maneuvering Speed: 3100 Pounds 2600 Pounds 2100 Pounds	108 100 91	110 101 91	Do not make full or abrupt control movements above this speed.
V_{FE}	Maximum Flap Extended Speed: 0° to 10° Flaps 10° to 20° Flaps 20° to FULL Flaps	136 117 99	140 120 100	Do not exceed this speed with flaps down.
-----	Maximum Window Open Speed	171	175	Do not exceed this speed with windows open.

Figure 2-1. Airspeed Limitations



AIRSPEED INDICATOR MARKINGS

Airspeed indicator markings and their color code significance are shown in Figure 2-2.

MARKING	KIAS VALUE OR RANGE	SIGNIFICANCE
White Arc	41 - 100	Full Flap Operating Range. Lower limit is maximum weight V_{SO} in landing configuration. Upper limit is maximum speed permissible with flaps extended.
Green Arc	51 - 140	Normal Operating Range. Lower limit is maximum weight V_S at most forward C.G. with flaps retracted. Upper limit is maximum structural cruising speed.
Yellow Arc	140-175	Operations must be conducted with caution and only in smooth air.
Red Line	175	Maximum speed for all operations.

Figure 2-2. Airspeed Indicator Markings

POWERPLANT LIMITATIONS

Engine Manufacturer: Textron Lycoming.

Engine Model Number: IO-540-AB1A5.

Maximum Power: 230 BHP rating.

Engine Operating Limits for Takeoff and Continuous Operations:

Maximum Engine Speed: 2400 RPM.

Maximum Cylinder Head Temperature: 500°F (260°C)

Maximum Oil Temperature: 245°F (118°C).

Oil Pressure, Minimum: 20 PSI.

Maximum: 115 PSI.

Fuel Grade: See Fuel Limitations.



Oil Grade (Specification):

MIL-L-6082 or SAE J1966 Aviation Grade Straight Mineral Oil or MIL-L-22851 or SAE J1899 Ashless Dispersant Oil. Oil conforming to Textron Lycoming Service Instruction No. 1014, and all revisions and supplements thereto, must be used after first 50 hours or once oil consumption has stabilized.

Propeller Manufacturer: McCauley Propeller Systems.

Propeller Model Number: B3D36C431/80VSA-1.

Propeller Diameter: 79 inches

Propeller Blade Angle at 30 Inch Station:

Low: 14.9°

High: 31.7°

POWERPLANT INSTRUMENT MARKINGS

Powerplant instrument markings and their color code significance are shown in Figure 2-3.

INSTRUMENT	RED LINE (MINIMUM)	GREEN ARC (NORMAL OPERATING)	RED LINE (MAX)
Tachometer	----	2000 - 2400 RPM	2400
Manifold Pressure	----	15 - 23 In. Hg.	----
Cylinder Head Temperature	----	200 - 500°F	500°F
Oil Temperature	----	100 - 245°F	245°F
Oil Pressure	20 PSI	50 - 90 PSI	115 PSI
Fuel Quantity	0 (2.5 Gal. Unusable Each Tank)	----	----
Fuel Flow	----	0 to 15 GPH	----
Vacuum Gage	----	4.5 - 5.5 in.Hg	----

Figure 2-3. Powerplant Instrument Markings



WEIGHT LIMITS

Maximum Ramp Weight: 3110 lbs.

Maximum Takeoff Weight: 3100 lbs.

Maximum Landing Weight: 2950 lbs.

Maximum Weight in Baggage Compartment:

Baggage Area A - Station 82 to 109: 120 lbs. See note below.

Baggage Area B - Station 109 to 124: 80 lbs. See note below.

Baggage Area C - Station 124 to 134: 80 lbs. See note below.

NOTE

The maximum allowable combined weight capacity for baggage in areas A, B and C is 200 pounds. The maximum combined allowable weight capacity for baggage in areas B and C is 80 pounds.

CENTER OF GRAVITY LIMITS

Center of Gravity Range:

Forward: 33.0 inches aft of datum at 2250 lbs. or less, with straight line variation to 35.5 inches aft of datum at 2700 lbs. or less, with straight line variation to 40.9 inches aft of datum at 3100 lbs., continuing to aft limit at 3100 lbs.

Aft: 46.0 inches aft of datum at all weights.

Reference Datum: Front face of firewall.



MANEUVER LIMITS

This airplane is certificated in the normal category. The normal category is applicable to aircraft intended for non-aerobatic operations. These include any maneuvers incidental to normal flying, stalls (except whip stalls), lazy eights, chandelles, and turns in which the angle of bank is not more than 60°.

Aerobatic maneuvers, including spins, are not approved.

FLIGHT LOAD FACTOR LIMITS

Flight Load Factors:

*Flaps Up	+3.8g, -1.52g
*Flaps Down	+2.0g

- * The design load factors are 150% of the above, and in all cases, the structure meets or exceeds design loads.

KINDS OF OPERATION LIMITS

The airplane as delivered is equipped for day, night, VFR, IFR. FAR Part 91 establishes the minimum required instrumentation and equipment for these operations. The reference to types of flight operations on the operating limitations placard reflects equipment installed at the time of Airworthiness Certificate issuance.

Flight into known icing conditions is prohibited.

FUEL LIMITATIONS

Total Fuel: 92.0 U.S. Gallons (46.0 gallons per tank.)

Usable Fuel: 87.0 U.S. Gallons

Unusable Fuel: 5.0 U.S. Gallons (2.5 Gallons each tank.)



NOTE

To ensure maximum fuel capacity and minimize cross-feeding when refueling, always park the airplane in a wings-level, normal ground attitude and place the fuel selector in the Left or Right position. Refer to Figure 1-1 for normal ground attitude definition.

Takeoff and land with the fuel selector valve handle in the BOTH position.

Operation on either LEFT or RIGHT tank limited to level flight only.

With 1/4 tank or less, prolonged uncoordinated flight is prohibited when operating on either left or right tank.

Approved Fuel Grades (and Colors):

- 100LL Grade Aviation Fuel (Blue).
- 100 Grade Aviation Fuel (Green).

OTHER LIMITATIONS

FLAP LIMITATIONS

Approved Takeoff Range:	0° to 20°
Approved Landing Range:	0° to FULL



PLACARDS

The following information must be displayed in the form of composite or individual placards.

1. In full view of the pilot: (The "DAY-NIGHT-VFR-IFR" entry, shown on the example below, will vary as the airplane is equipped).

The markings and placards installed in this airplane contain operating limitations which must be complied with when operating this airplane in the Normal Category. Other operating limitations which must be complied with when operating this airplane in this category are contained in the Pilot's Operating Handbook and FAA Approved Airplane Flight Manual.

No acrobatic maneuvers, including spins, approved.

Flight into known icing conditions prohibited.

This airplane is certified for the following flight operations as of date of original airworthiness certificate:

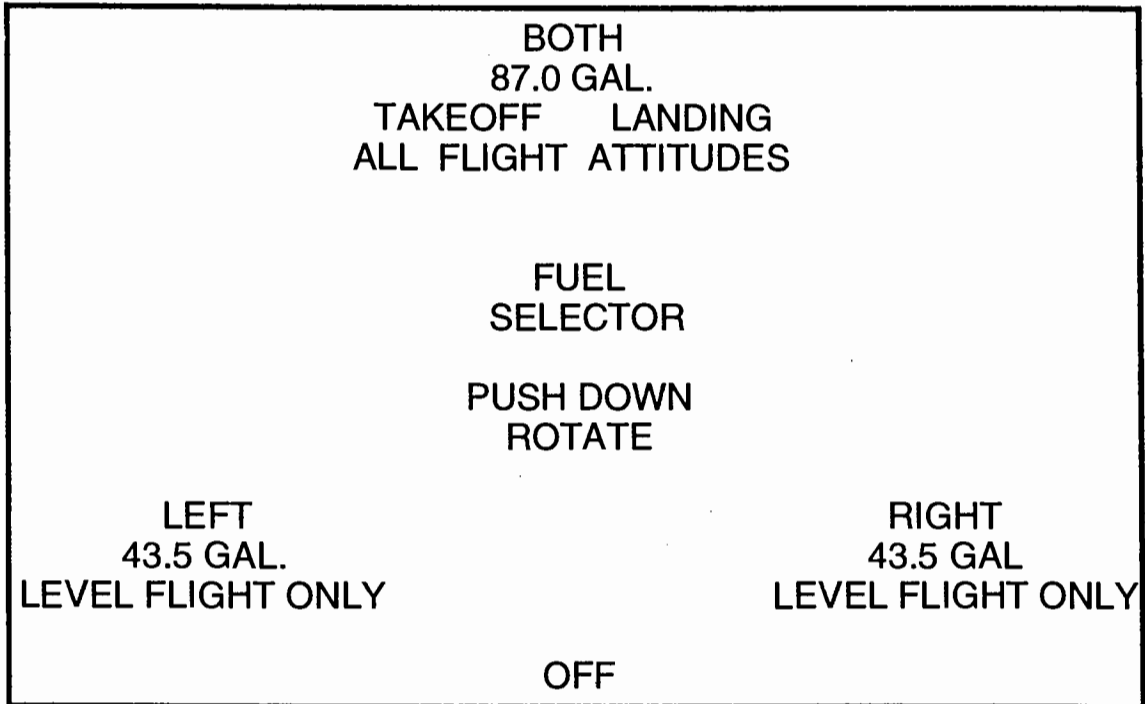
DAY-NIGHT-VFR-IFR

2. On control lock:

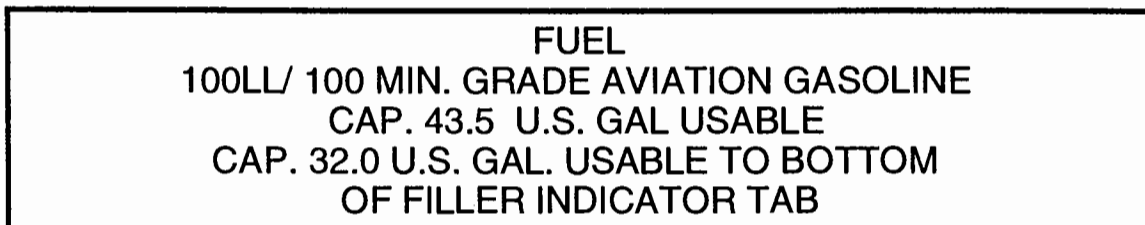
CAUTION!
CONTROL LOCK
REMOVE BEFORE STARTING ENGINE



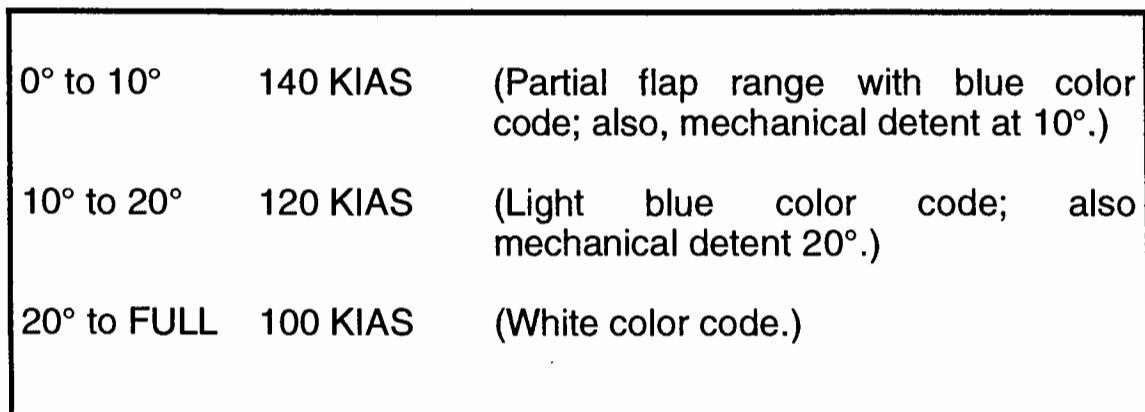
3. On the fuel selector valve:



4. Near fuel tank filler cap:



5. On flap control indicator:





6. In baggage compartment:

120 POUNDS MAXIMUM
BAGGAGE FORWARD OF BAGGAGE DOOR LATCH
AND

80 POUNDS MAXIMUM
BAGGAGE AFT OF BAGGAGE DOOR LATCH

MAXIMUM 200 POUNDS COMBINED

FOR ADDITIONAL LOADING INSTRUCTIONS
SEE WEIGHT AND BALANCE DATA

7. A calibration card must be provided to indicate the accuracy of the magnetic compass in 30° increments.

8. On the oil filler cap:

OIL
9 QTS

9. Near airspeed indicator:

MANEUVERING SPEED - 110 KIAS

10. On the upper right instrument panel:

SMOKING PROHIBITED

11. On auxiliary power plug door and second placard on battery box.:

CAUTION 24 VOLTS D.C.
**THIS AIRCRAFT IS EQUIPPED WITH ALTERNATOR AND A
NEGATIVE GROUND SYSTEM. OBSERVE PROPER POLARITY.
REVERSE POLARITY WILL DAMAGE ELECTRICAL
COMPONENTS.**

12. On the Upper Right Side of the Aft Cabin Partition:

**EMERGENCY LOCATOR TRANSMITTER
INSTALLED AFT OF THIS PARTITION
MUST BE SERVICED IN ACCORDANCE
WITH FAR PART 91.207**

13. Near the fuel flow gauge:

MAXIMUM POWER FUEL FLOW

<u>ALTITUDE</u>	<u>FUEL FLOW</u>
S.L.	20.5 GPH
2000'	19.0 GPH
4000'	17.5 GPH
6000'	16.5 GPH
8000'	15.5 GPH
10000'	14.5 GPH
12000'	13.5 GPH

14. Near the center overhead light switch:

Dome Light



SECTION 3 EMERGENCY PROCEDURES

TABLE OF CONTENTS	Page
Introduction	3-3

AIRSPEDS

Airspeeds For Emergency Operation	3-3
---	-----

EMERGENCY PROCEDURES CHECKLIST

Engine Failures	3-4
Engine Failure During Takeoff Roll	3-4
Engine Failure Immediately After Takeoff	3-4
Engine Failure During Flight (Restart Procedures)	3-4
Forced Landings	3-5
Emergency Landing Without Engine Power	3-5
Precautionary Landing With Engine Power	3-6
Ditching	3-6
Fires	3-7
During Start On Ground	3-7
Engine Fire In Flight	3-8
Electrical Fire In Flight	3-8
Cabin Fire	3-9
Wing Fire	3-9
Icing	3-10
Inadvertent Icing Encounter	3-10
Static Source Blockage	3-11
Landing With A Flat Main Tire	3-11
Landing With A Flat Nose Tire	3-11



TABLE OF CONTENTS (Continued)

	Page
Electrical Power Supply System Malfunctions	3-12
Ammeter Shows Excessive Rate of Charge	
(Full Scale Deflection)	3-12
Low Voltage Annunciator (VOLTS) Illuminates During Flight	
(Ammeter Indicates Discharge)	3-12
Vacuum System Failure	3-13

AMPLIFIED EMERGENCY PROCEDURES

Engine Failure	3-14
Forced Landings	3-16
Landing Without Elevator Control	3-16
Fires	3-17
Emergency Operation In Clouds	
(Total Vacuum System Failure)	3-17
Executing A 180° Turn In Clouds	3-17
Emergency Descent Through Clouds	3-18
Recovery From Spiral Dive In The Clouds	3-19
Inadvertent Flight Into Icing Conditions	3-19
Static Source Blocked	3-19
Spins	3-20
Rough Engine Operation Or Loss Of Power	3-20
Spark Plug Fouling	3-20
Magnetto Malfunction	3-21
Engine-Driven Fuel Pump Failure	3-21
Low Oil Pressure	3-21
Electrical Power Supply System Malfunctions	3-22
Excessive Rate of Charge	3-22
Insufficient Rate Of Charge	3-23
Other Emergencies	3-23
Windshield Damage	3-23



INTRODUCTION

Section 3 provides checklist and amplified procedures for coping with emergencies that may occur. Emergencies caused by airplane or engine malfunctions are extremely rare if proper preflight inspections and maintenance are practiced. Enroute weather emergencies can be minimized or eliminated by careful flight planning and good judgment when unexpected weather is encountered. However, should an emergency arise, the basic guidelines described in this section should be considered and applied as necessary to correct the problem.

AIRSPEEDS

AIRSPEEDS FOR EMERGENCY OPERATION

Engine Failure After Takeoff:	
Wing Flaps Up	75 KIAS
Wing Flaps Down	70 KIAS
Maneuvering Speed:	
3100 Lbs	110 KIAS
2600 Lbs	101 KIAS
2100 Lbs	91 KIAS
Maximum Glide:	
3100 Lbs	76 KIAS
2600 Lbs	70 KIAS
2100 Lbs	63 KIAS
Precautionary Landing With Engine Power	70 KIAS
Landing Without Engine Power:	
Wing Flaps Up	75 KIAS
Wing Flaps Down	70 KIAS



EMERGENCY PROCEDURES CHECKLIST

Procedures in the Emergency Procedures Checklist portion of this section shown in **bold faced** type are immediate action items which should be committed to memory.

ENGINE FAILURES

ENGINE FAILURE DURING TAKEOFF ROLL

1. **Throttle -- IDLE.**
2. **Brakes-- APPLY.**
3. Wing Flaps -- RETRACT.
4. Mixture -- IDLE CUT OFF.
5. Ignition Switch -- OFF.
6. Master Switch -- OFF.

ENGINE FAILURE IMMEDIATELY AFTER TAKEOFF

1. **Airspeed -- 75 KIAS (flaps UP).
70 KIAS (flaps DOWN).**
2. Mixture -- IDLE CUT OFF.
3. Fuel Selector Valve -- PUSH DOWN and ROTATE TO OFF .
4. Ignition Switch -- OFF.
5. Wing Flaps -- AS REQUIRED (FULL recommended).
6. Master Switch -- OFF.
7. Cabin Door -- UNLATCH.
8. Land -- STRAIGHT AHEAD.

ENGINE FAILURE DURING FLIGHT (Restart Procedures)

1. **Airspeed -- 75 KIAS (Best glide speed).**
2. **Fuel Selector Valve -- BOTH.**
3. **Auxiliary Fuel Pump Switch -- ON.**
4. **Mixture -- RICH (if restart has not occurred).**



5. Ignition Switch -- BOTH (or START if propeller is stopped).

NOTE

If propeller is windmilling, engine will restart automatically within a few seconds. If propeller has stopped (possible at low speeds), turn ignition switch to START, advance throttle slowly from idle, and lean the mixture from full rich, as required to obtain smooth operation.

6. Auxiliary Fuel Pump Switch -- OFF.

NOTE

If the fuel flow indication immediately drops to zero, signifying an engine-driven fuel pump failure, return the auxiliary fuel pump switch to ON.

FORCED LANDINGS

EMERGENCY LANDING WITHOUT ENGINE POWER

1. Passenger Seat Backs -- MOST UPRIGHT POSITION.
2. Seats and Seat Belts -- SECURE.
3. Airspeed -- 75 KIAS (flaps UP).
70 KIAS (flaps DOWN).
4. Mixture -- IDLE CUT OFF.
5. Fuel Selector Valve -- PUSH DOWN and ROTATE TO OFF .
6. Ignition Switch -- OFF.
7. Wing Flaps -- AS REQUIRED (FULL recommended).
8. Master Switch -- OFF (when landing is assured).
9. Doors -- UNLATCH PRIOR TO TOUCHDOWN.
10. Touchdown -- SLIGHTLY TAIL LOW.
11. Brakes -- APPLY HEAVILY.



PRECAUTIONARY LANDING WITH ENGINE POWER

1. Passenger Seat Backs -- MOST UPRIGHT POSITION.
2. Seats and Seat Belts -- SECURE.
3. Airspeed -- 75 KIAS.
4. Wing Flaps --20°.
5. Selected Field -- FLY OVER, noting terrain and obstructions, then retract flaps upon reaching a safe altitude and airspeed.
6. Avionics Master Switch and Electrical Switches -- OFF.
7. Wing Flaps -- FULL (on final approach).
8. Airspeed -- 70 KIAS.
9. Master Switch -- OFF.
10. Doors -- UNLATCH PRIOR TO TOUCHDOWN.
11. Touchdown -- SLIGHTLY TAIL LOW.
12. Mixture -- IDLE CUT OFF.
13. Ignition Switch -- OFF.
14. Brakes -- APPLY HEAVILY.

DITCHING

1. Radio -- TRANSMIT MAYDAY on 121.5 MHz, giving location and intentions and SQUAWK 7700 (if installed).
2. Heavy Objects (in baggage area) -- SECURE OR JETTISON (if possible).
3. Passenger Seat Backs -- MOST UPRIGHT POSITION.
4. Seats and Seat Belts -- SECURE.
5. Wing Flaps -- 20° to FULL.
6. Power -- ESTABLISH 300 FT/MIN DESCENT AT 65 KIAS.

NOTE

If no power is available, approach at 70 KIAS with flaps up or at 65 KIAS with 10° flaps.

7. Approach -- High Winds, Heavy Seas -- INTO THE WIND.
Light Winds, Heavy Swells -- PARALLEL TO SWELLS.
8. Cabin Doors -- UNLATCH.
9. Touchdown -- LEVEL ATTITUDE AT ESTABLISHED RATE OF DESCENT.



10. Face -- CUSHION at touchdown with folded coat.
11. ELT -- Activate.
12. Airplane -- EVACUATE through cabin doors. If necessary, open window and flood cabin to equalize pressure so doors can be opened.
13. Life Vests and Raft -- INFLATE WHEN CLEAR OF AIRPLANE.

FIRES

DURING START ON GROUND

1. **Cranking -- CONTINUE** to get a start which would suck the flames and accumulated fuel into the engine.

If engine starts:

2. Power -- 1700 RPM for a few minutes.
3. Engine -- SHUTDOWN and inspect for damage.

If engine fails to start:

4. **Throttle -- FULL OPEN.**
5. **Mixture -- IDLE CUT OFF.**
6. **Cranking -- CONTINUE.**
7. **Fuel Selector Valve -- PUSH DOWN and ROTATE TO OFF .**
8. **Auxiliary Fuel Pump -- OFF.**
9. Fire Extinguisher -- OBTAIN (have ground attendants obtain if not installed).
10. Engine -- SECURE.
 - a. Master Switch -- OFF.
 - b. Ignition Switch -- OFF
11. Parking Brake -- RELEASE.
12. Airplane -- EVACUATE.
13. Fire -- EXTINGUISH using fire extinguisher, wool blanket, or dirt.
14. Fire Damage -- INSPECT, repair damage or replace damaged components or wiring before conducting another flight.



ENGINE FIRE IN FLIGHT

1. **Mixture -- IDLE CUT OFF.**
2. **Fuel Selector Valve -- PUSH DOWN and ROTATE TO OFF.**
3. **Auxiliary Fuel Pump Switch -- OFF.**
4. **Master Switch -- OFF.**
5. Cabin Heat and Air -- OFF (except overhead vents).
6. Airspeed -- 100 KIAS (If fire is not extinguished, increase glide speed to find an airspeed - within airspeed limitations - which will provide an incombustible mixture).
7. Forced Landing -- EXECUTE (as described in Emergency Landing Without Engine Power).

ELECTRICAL FIRE IN FLIGHT

1. **Master Switch -- OFF.**
2. **Vents, Cabin Air, Heat -- CLOSED.**
3. **Fire Extinguisher -- ACTIVATE** (if available).
4. Avionics Master Switch -- OFF.
5. All Other Switches (except ignition switch) -- OFF.

WARNING

AFTER DISCHARGING FIRE EXTINGUISHER AND ASCERTAINING THAT FIRE HAS BEEN EXTINGUISHED, VENTILATE THE CABIN.

6. Vents/Cabin Air/Heat -- OPEN when it is ascertained that fire is completely extinguished.

If fire has been extinguished and electrical power is necessary for continuance of flight to nearest suitable airport or landing area:

7. Master Switch -- ON.
8. Circuit Breakers -- CHECK for faulty circuit, do not reset.
9. Radio Switches -- OFF.
10. Avionics Master Switch -- ON.
11. Radio/Electrical Switches -- ON one at a time, with delay after each until short circuit is localized.



CABIN FIRE

1. **Master Switch -- OFF.**
2. **Vents/Cabin Air/Heat -- CLOSED** (to avoid drafts).
3. **Fire Extinguisher -- ACTIVATE** (if available).

WARNING

AFTER DISCHARGING FIRE EXTINGUISHER AND ASCERTAINING THAT FIRE HAS BEEN EXTINGUISHED, VENTILATE THE CABIN.

4. **Vents/Cabin Air/Heat -- Open** when it is ascertained that fire is completely extinguished.
5. **Land the airplane as soon as possible to inspect for damage.**

WING FIRE

1. **Landing/Taxi Light Switches -- OFF.**
2. **Navigation Light Switch -- OFF.**
3. **Strobe Light Switch -- OFF.**
4. **Pitot Heat Switch -- OFF.**

NOTE

Perform a sideslip to keep the flames away from the fuel tank and cabin. Land as soon as possible using flaps only as required for final approach and touchdown.



ICING

INADVERTENT ICING ENCOUNTER

1. Turn pitot heat switch ON.
2. Turn back or change altitude to obtain an outside air temperature that is less conducive to icing.
3. Pull cabin heat control full out and rotate defroster control clockwise to obtain maximum defroster airflow.
4. Increase engine speed to minimize ice build-up on propeller blades.
5. Watch for signs of induction air filter icing. An unexplained loss of manifold pressure could be caused by ice blocking the air intake filter. Adjust the throttle as desired to set manifold pressure. Adjust mixture, as required, for any change in power settings.
6. Plan a landing at the nearest airport. With an extremely rapid ice build up, select a suitable "off airport" landing site.
7. With an ice accumulation of 1/4 inch or more on the wing leading edges, be prepared for significantly higher stall speed.
8. Leave wing flaps retracted. With a severe ice build up on the horizontal tail, the change in wing wake airflow direction caused by wing flap extension could result in a loss of elevator effectiveness.
9. Open left window and, if practical, scrape ice from a portion of the windshield for visibility in the landing approach.
10. Perform a landing approach using a forward slip, if necessary, for improved visibility.
11. Approach at 80 to 90 KIAS depending upon the amount of the accumulation.
12. Perform a landing in level attitude.



**STATIC SOURCE BLOCKAGE
(Erroneous Instrument Reading Suspected)**

1. **Static Pressure Alternate Source Valve -- PULL ON.**
2. Airspeed -- Consult appropriate calibration table in Section 5.
3. Altitude -- Consult altimeter correction table in Section 5.

LANDING WITH A FLAT MAIN TIRE

1. Approach -- NORMAL.
2. Wing Flaps -- FULL DOWN.
3. Touchdown -- GOOD MAIN TIRE FIRST, hold airplane off flat tire as long as possible with aileron control.
4. Directional Control -- MAINTAIN using brake on good wheel as required.

LANDING WITH A FLAT NOSE TIRE

1. Approach -- NORMAL.
2. Flaps -- AS REQUIRED.
3. Touchdown -- ON MAINS, hold nose wheel off the ground as long as possible.
4. When nose wheel touches down, maintain full up elevator as airplane slows to stop.



ELECTRICAL POWER SUPPLY SYSTEM MALFUNCTIONS

AMMETER SHOWS EXCESSIVE RATE OF CHARGE (Full Scale Deflection)

1. Alternator -- OFF.

⚠ CAUTION

WITH THE ALTERNATOR SIDE OF THE MASTER SWITCH OFF, COMPASS DEVIATIONS OF AS MUCH AS 25° MAY OCCUR.

2. Nonessential Electrical Equipment -- OFF.
3. Flight -- TERMINATE as soon as practical.

LOW VOLTAGE ANNUNCIATOR (VOLTS) ILLUMINATES DURING FLIGHT (Ammeter Indicates Discharge)

NOTE

Illumination of "VOLTS" on the annunciator panel may occur during low RPM conditions with an electrical load on the system such as during a low RPM taxi. Under these conditions, the annunciator will go out at higher RPM. The master switch need not be recycled since an overvoltage condition has not occurred to deactivate the alternator system.

1. Avionics Master Switch -- OFF.
2. Alternator Circuit Breaker (ALT FLD) -- CHECK IN.
3. Master Switch -- OFF (both sides).
4. Master Switch -- ON.
5. Low Voltage Annunciator (VOLTS) -- CHECK OFF.
6. Avionics Master Switch -- ON.



If low voltage annunciator (VOLTS) illuminates again:

7. Alternator-- OFF.

⚠ CAUTION

WITH THE ALTERNATOR SIDE OF THE MASTER SWITCH OFF, COMPASS DEVIATIONS OF AS MUCH AS 25° MAY OCCUR.

8. Nonessential Radio and Electrical Equipment -- OFF.
9. Flight -- TERMINATE as soon as practical.

VACUUM SYSTEM FAILURE

Left Vacuum Annunciator (L VAC) or Right Vacuum Annunciator (VAC R) Illuminates.

⚠ CAUTION

IF VACUUM IS NOT WITHIN NORMAL OPERATING LIMITS, A FAILURE HAS OCCURRED IN THE VACUUM SYSTEM AND PARTIAL PANEL PROCEDURES MAY BE REQUIRED FOR CONTINUED FLIGHT.

1. **Vacuum Gauge** -- **CHECK** to ensure vacuum within normal operating limits.



AMPLIFIED EMERGENCY PROCEDURES

The following Amplified Emergency Procedures elaborate upon information contained in the Emergency Procedures Checklists portion of this section. These procedures also include information not readily adaptable to a checklist format, and material to which a pilot could not be expected to refer in resolution of a specific emergency. This information should be reviewed in detail prior to flying the airplane, as well as reviewed on a regular basis to keep pilot's knowledge of procedures fresh.

ENGINE FAILURE

If an engine failure occurs during the takeoff roll, the most important thing to do is stop the airplane on the remaining runway. Those extra items on the checklist will provide added safety after a failure of this type.

Prompt lowering of the nose to maintain airspeed and establish a glide attitude is the first response to an engine failure after takeoff. In most cases, the landing should be planned straight ahead with only small changes in direction to avoid obstructions. Altitude and airspeed are seldom sufficient to execute a 180° gliding turn necessary to return to the runway. The checklist procedures assume that adequate time exists to secure the fuel and ignition systems prior to touchdown.



After an engine failure in flight, the most important course of action is to continue flying the airplane. The best glide speed, as shown in Figure 3-1, should be established as quickly as possible. While gliding toward a suitable landing area, an effort should be made to identify the cause of the failure. If time permits, an engine restart should be attempted as shown in the checklist. If the engine cannot be restarted, a forced landing without power must be completed.

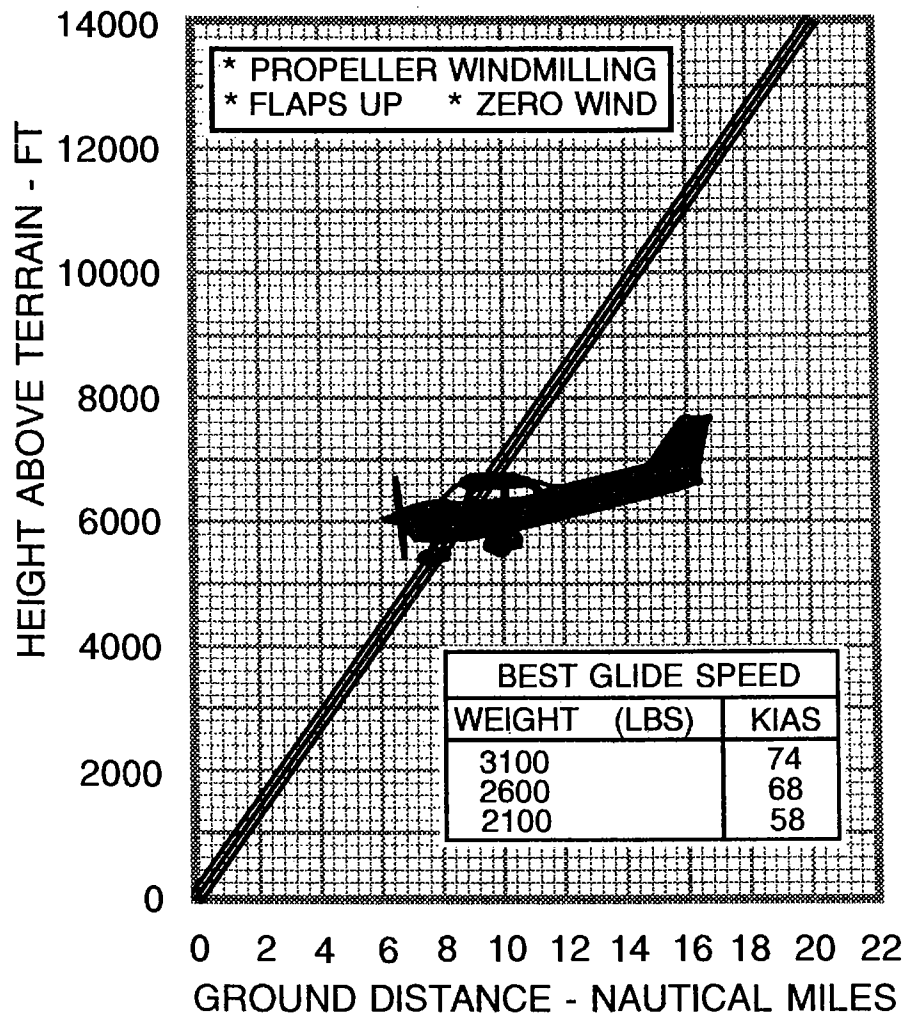


Figure 3-1. Maximum Glide



FORCED LANDINGS

If all attempts to restart the engine fail and a forced landing is imminent, select a suitable field and prepare for the landing as discussed under the Emergency Landing Without Engine Power checklist. Transmit Mayday message on 121.5 MHz giving location and intentions and squawk 7700.

Before attempting an "off airport" landing with engine power available, one should fly over the landing area at a safe but low altitude to inspect the terrain for obstructions and surface conditions, proceeding as discussed under the Precautionary Landing With Engine Power checklist.

Prepare for ditching by securing or jettisoning heavy objects located in the baggage area and collect folded coats for protection of occupants' face at touchdown. Transmit Mayday message on 121.5 MHz giving location and intentions and squawk 7700. Avoid a landing flare because of difficulty in judging height over a water surface. The checklist assumes the availability of power to make a precautionary water landing. If power is not available, use of the airspeeds noted with minimum flap extension will provide a more favorable attitude for a power off ditching.

In a forced landing situation, do not turn off the AVIONICS MASTER switch or airplane MASTER switch until a landing is assured. Premature deactivation of the switches will disable the airplane electrical systems.

Before performing a forced landing, especially in remote and mountainous areas, activate the ELT transmitter by positioning the cockpit-mounted switch to the ON position. For complete information on ELT operation, refer to the Supplements, Section 9.

LANDING WITHOUT ELEVATOR CONTROL

Trim for horizontal flight with an airspeed of approximately 80 KIAS by using throttle and elevator trim controls. Then **do not change the elevator trim control setting**; control the glide angle by adjusting power exclusively.



At flare out, the nose down moment resulting from power reduction is an adverse factor and the airplane may hit on the nose wheel. Consequently, at flare out, the elevator trim control should be adjusted toward the full nose up position and the power adjusted so that the airplane will rotate to the horizontal attitude for touchdown. Close the throttle at touchdown.

FIRES

Although engine fires are extremely rare in flight, the steps of the appropriate checklist should be followed if one is encountered. After completion of this procedure, execute a forced landing. Do not attempt to restart the engine.

The initial indication of an electrical fire is usually the odor of burning insulation. The checklist for this problem should result in elimination of the fire.

EMERGENCY OPERATION IN CLOUDS (Total Vacuum System Failure)

If both the vacuum pumps fail in flight, the directional indicator and attitude indicator will be disabled, and the pilot will have to rely on the turn coordinator if he inadvertently flies into clouds. If an autopilot is installed, it too may be affected. Refer to Section 9, Supplements, for additional details concerning autopilot operations. The following instructions assume that only the electrically powered turn coordinator is operative, and that the pilot is not completely proficient in instrument flying.

EXECUTING A 180° TURN IN CLOUDS

Upon inadvertently entering the clouds, an immediate plan should be made to turn back as follows:

1. Note the compass heading.
2. Using the clock, initiate a standard rate left turn, holding the turn coordinator symbolic airplane wing opposite the lower left index mark for 60 seconds. Then roll back to level flight by leveling the miniature airplane.
3. Check accuracy of the turn by observing the compass heading which should be the reciprocal of the original heading.



4. If necessary, adjust heading primarily with skidding motions rather than rolling motions so that the compass will read more accurately.
5. Maintain altitude and airspeed by cautious application of elevator control. Avoid over controlling by keeping the hands off the control wheel as much as possible and steering only with rudder.

EMERGENCY DESCENT THROUGH CLOUDS

If conditions preclude reestablishment of VFR flight by a 180° turn, a descent through a cloud deck to VFR conditions may be appropriate. If possible, obtain radio clearance for an emergency descent through clouds. To guard against a spiral dive, choose an easterly or westerly heading to minimize compass card swings due to changing bank angles. In addition, keep hands off the control wheel and steer a straight course with rudder control by monitoring the turn coordinator. Occasionally check the compass heading and make minor corrections to hold an approximate course. Before descending into the clouds, set up a stabilized letdown condition as follows:

1. Apply full rich mixture.
2. Reduce power to set up a 500 to 800 ft/min rate of descent.
3. Adjust the elevator trim and rudder trim for a stabilized descent at 80 KIAS.
4. Keep hands off the control wheel.
5. Monitor turn coordinator and make corrections by rudder alone.
6. Adjust rudder trim to relieve unbalanced rudder force, if present.
7. Check trend of compass card movement and make cautious corrections with rudder to stop the turn.
8. Upon breaking out of clouds, resume normal cruising flight.



RECOVERY FROM SPIRAL DIVE IN THE CLOUDS

If a spiral is encountered in the clouds, proceed as follows:

1. Retard throttle to idle position.
2. Stop the turn by using coordinated aileron and rudder control to align the symbolic airplane in the turn coordinator with the horizon reference line.
3. Cautiously apply elevator back pressure to slowly reduce the airspeed to 80 KIAS.
4. Adjust the elevator trim control to maintain an 80 KIAS glide.
5. Keep hands off the control wheel, using rudder control to hold a straight heading.
6. Clear engine occasionally, but avoid using enough power to disturb the trimmed glide.
7. Upon breaking out of clouds, resume normal cruising flight.

INADVERTENT FLIGHT INTO ICING CONDITIONS

Flight into icing conditions is prohibited and extremely dangerous. An inadvertent encounter with these conditions can best be handled using the checklist procedures. The best procedure, of course, is to turn back or change altitude to escape icing conditions.

STATIC SOURCE BLOCKED

If erroneous readings of the static source instruments (airspeed, altimeter and vertical speed) are suspected, the static pressure alternate source valve should be pulled on, thereby supplying static pressure to these instruments from the cabin.

With the alternate static source on, refer to the Alternate Static Source Airspeed Calibration table in Section 5 for additional details.

Maximum airspeed and altimeter variation from normal is 5 knots and 80 feet over the normal operating range with the window(s) closed. See Section 5 tables for airspeed calibration data.



SPINS

Intentional spins are prohibited in this airplane, but should an inadvertent spin occur, the following recovery procedure should be used:

1. RETARD THROTTLE TO IDLE POSITION.
2. PLACE AILERONS IN NEUTRAL POSITION.
3. APPLY AND **HOLD** FULL RUDDER OPPOSITE TO THE DIRECTION OF ROTATION.
4. JUST **AFTER** THE RUDDER REACHES THE STOP, MOVE THE CONTROL WHEEL **BRISKLY** FORWARD FAR ENOUGH TO BREAK THE STALL.
5. **HOLD** THESE CONTROL INPUTS UNTIL ROTATION STOPS. Premature relaxation of the control inputs may extend the recovery.
6. AS ROTATION STOPS, NEUTRALIZE RUDDER, AND MAKE A SMOOTH RECOVERY FROM THE RESULTING DIVE.

NOTE

If disorientation precludes a visual determination of the direction of rotation, the symbolic airplane in the turn coordinator may be referred to for this information.

ROUGH ENGINE OPERATION OR LOSS OF POWER

SPARK PLUG FOULING

A slight engine roughness in flight may be caused by one or more spark plugs becoming fouled by carbon or lead deposits. This may be verified by turning the ignition switch momentarily from BOTH to either L or R position. An obvious power loss in single ignition operation is evidence of spark plug or magneto trouble. Assuming that spark plugs are the more likely cause, lean the mixture to the recommended lean setting for cruising flight. If the problem does not clear up in several minutes, determine if a richer mixture setting will produce smoother operation. If not, proceed to the nearest airport for repairs using the BOTH position of the ignition switch unless extreme roughness dictates the use of a single ignition position.



MAGNETO MALFUNCTION

A sudden engine roughness or misfiring is usually evidence of magneto problems. Switching from BOTH to either L or R ignition switch position will identify which magneto is malfunctioning. Select different power settings and enrichen the mixture to determine if continued operation on BOTH magnetos is practicable. If not, switch to the good magneto and proceed to the nearest airport for repairs.

ENGINE-DRIVEN FUEL PUMP FAILURE

Failure of the engine-driven fuel pump will be evidenced by a sudden reduction in the fuel flow indication **immediately prior to a loss of power**, while operating from a fuel tank containing adequate fuel.

In the event of an engine-driven fuel pump failure, immediately turn the auxiliary fuel pump switch ON to restore the engine power. In this event, the flight should be terminated when practical and the fuel pump repaired.

LOW OIL PRESSURE

If the low oil pressure annunciator (OIL PRESS) illuminates, check the oil pressure gauge to confirm low oil pressure condition. If gauge oil pressure and oil temperature remains normal, it is possible the oil pressure sending unit or relief valve is malfunctioning. However, land at the nearest airport to inspect the source of trouble.

If a total loss of oil pressure is accompanied by a rise in oil temperature, there is good reason to suspect an engine failure is imminent. Reduce engine power immediately and select a suitable forced landing field. Use only the minimum power required to reach the desired touchdown spot.



ELECTRICAL POWER SUPPLY SYSTEM MALFUNCTIONS

Malfunctions in the electrical power supply system can be detected by periodic monitoring of the ammeter and low voltage annunciator (VOLTS); however, the cause of these malfunctions is usually difficult to determine. A broken alternator drive belt or wiring is most likely the cause of alternator failures, although other factors could cause the problem. A defective alternator control unit can also cause malfunctions. Problems of this nature constitute an electrical emergency and should be dealt with immediately. Electrical power malfunctions usually fall into two categories: excessive rate of charge and insufficient rate of charge. The following paragraphs describe the recommended remedy for each situation.

EXCESSIVE RATE OF CHARGE

After engine starting and heavy electrical usage at low engine speeds (such as extended taxiing) the battery condition will be low enough to accept above normal charging during the initial part of a flight. However, after thirty minutes of cruising flight, the ammeter should be indicating less than two needle widths of charging current. If the charging rate were to remain above this value on a long flight, the battery would overheat and evaporate the electrolyte at an excessive rate.

Electronic components in the electrical system can be adversely affected by higher than normal voltage. The alternator control unit includes an overvoltage sensor which normally will automatically shut down the alternator if the charge voltage reaches approximately 31.5 volts. If the overvoltage sensor malfunctions, as evidenced by an excessive rate of charge shown on the ammeter, the alternator should be turned off, nonessential electrical equipment turned off and the flight terminated as soon as practical.



INSUFFICIENT RATE OF CHARGE

NOTE

Illumination of the low voltage annunciator (VOLTS) and ammeter discharge indications may occur during low RPM conditions with an electrical load on the system, such as during a low RPM taxi. Under these conditions, the light will go out at higher RPM.

If the overvoltage sensor should shut down the alternator and trip the alternator circuit breaker (ALT FLD), or if the alternator output is low, a discharge rate will be shown on the ammeter followed by illumination of the low voltage annunciator (VOLTS). Since this may be a "nuisance" trip out, an attempt should be made to reactivate the alternator system. To reactivate, turn the avionics master switches off, check that the alternator circuit breaker (ALT FLD) is in, then turn both sides of the master switch off and then on again. If the problem no longer exists, normal alternator charging will resume and the low voltage annunciator (VOLTS) will go off. The avionics master switch may then be turned back on.

If the annunciator illuminates again, a malfunction is confirmed. In this event, the flight should be terminated and/or the current drain on the battery minimized because the battery can supply the electrical system for only a limited period of time. Battery power must be conserved for later operation of the wing flaps and, if the emergency occurs at night, for possible use of the landing lights during landing.

OTHER EMERGENCIES

WINDSHIELD DAMAGE

If a bird strike or other incident should damage the windshield in flight to the point of creating an opening, a significant loss in performance may be expected. This loss may be minimized in some cases (depending on amount of damage, altitude, etc.) by opening the side windows while the airplane is maneuvered for a landing at the nearest airport. If airplane performance or other adverse conditions preclude landing at an airport, prepare for an "off airport" landing in accordance with the Precautionary Landing With Engine Power or Ditching checklists.



SECTION 4 NORMAL PROCEDURES

TABLE OF CONTENTS

Page

Introduction 4-5

AIRSPEEDS

Airspeeds For Normal Operation 4-5

CHECKLIST PROCEDURES

Preflight Inspection 4-7

- Cabin 4-7
- Empennage 4-8
- Right Wing, Trailing Edge 4-8
- Right Wing 4-8
- Nose 4-9
- Left Wing 4-10
- Left Wing, Leading Edge 4-11
- Left Wing, Trailing Edge 4-11

Before Starting Engine 4-11

Starting Engine (With Battery) 4-12

Starting Engine (With External Power) 4-12

Before Takeoff 4-13

Takeoff 4-14

- Normal Takeoff 4-14
- Short Field Takeoff 4-14

Enroute Climb 4-15

- Normal Climb 4-15
- Maximum Performance Climb 4-15

Cruise 4-15



TABLE OF CONTENTS (Continued)

	Page
Descent	4-15
Before Landing	4-16
Landing	4-16
Normal Landing	4-16
Short Field Landing	4-16
Balked Landing	4-16
After Landing	4-17
Securing Airplane	4-17

AMPLIFIED NORMAL PROCEDURES

Preflight Inspection	4-18
Starting Engine	4-19
Starting (General)	4-19
Taxiing	4-20
Before Takeoff	4-22
Warm Up	4-22
Magnetos Check	4-22
Alternator Check	4-22
Elevator Trim	4-23
Landing Lights	4-23
Takeoff	4-23
Power Check	4-23
Wing Flap Settings	4-24
Crosswind Takeoff	4-24
Enroute Climb	4-24
Cruise	4-25
Leaning with an EGT Indicator	4-26
Fuel Savings Procedures for Normal Operations	4-27
Fuel Vapor Procedures	4-28
Stalls	4-29



TABLE OF CONTENTS (Continued)

	Page
Landing	4-29
Normal Landing	4-29
Short Field Landing	4-29
Crosswind Landing	4-30
Balked Landing	4-30
Cold Weather Operation	4-30
Starting	4-31
Winterization Kit	4-32
Hot Weather Operation	4-32
Noise Characteristics And Noise Reduction	4-32



INTRODUCTION

Section 4 provides checklist and amplified procedures for the conduct of normal operation. Normal procedures associated with optional systems can be found in the Supplements, Section 9.

AIRSPEEDS

AIRSPEEDS FOR NORMAL OPERATION

Unless otherwise noted, the following speeds are based on a maximum weight and may be used for any lesser weight.

Takeoff:

Normal Climb Out	70-80 KIAS
Short Field Takeoff, Flaps 20°, Speed at 50 Feet	60 KIAS

Enroute Climb, Flaps Up:

Normal, Sea Level	85-95 KIAS
Best Rate-of-Climb, Sea Level	82 KIAS
Best Rate-of-Climb, 10,000 Feet	77 KIAS
Best Angle-of-Climb, Sea Level	65 KIAS
Best Angle-of-Climb, 10,000 Feet	68 KIAS

Landing Approach:

Normal Approach, Flaps Up	70-80 KIAS
Normal Approach, Flaps Full	60-70 KIAS
Short Field Approach, Flaps Full	60 KIAS

Balked Landing:

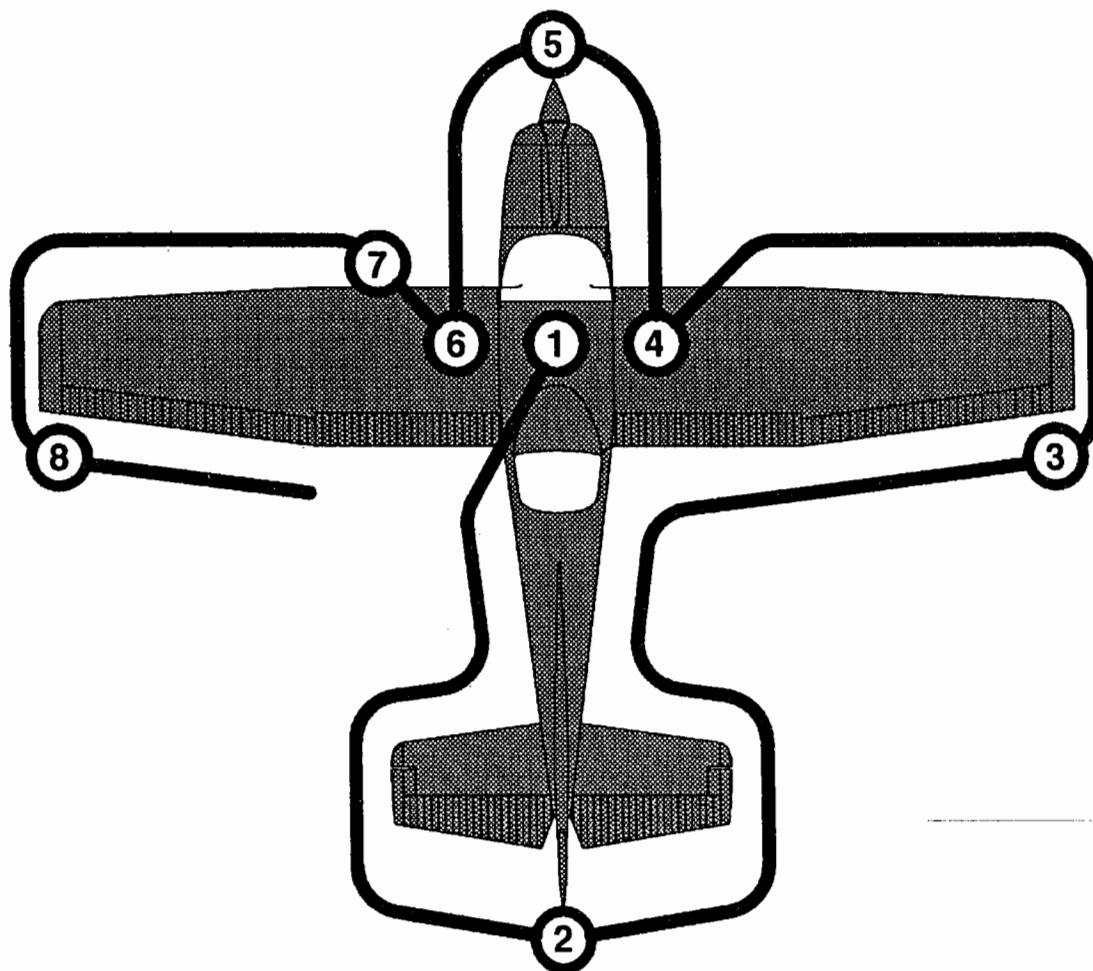
Maximum Power, Flaps 20°	55 KIAS
--------------------------------	---------

Maximum Recommended Turbulent Air Penetration Speed:

3100 Lbs	110 KIAS
2600 Lbs	101 KIAS
2100 Lbs	91 KIAS

Maximum Demonstrated Crosswind Velocity:

Takeoff or Landing	15 KNOTS
--------------------------	----------



NOTE

Visually check airplane for general condition during walk-around inspection. Airplane should be parked in a normal ground attitude (refer to Figure 1-1) to ensure that fuel drain valves allow for accurate sampling. Use of the refueling steps and assist handles will simplify access to the upper wing surfaces for visual checks and refueling operations. In cold weather, remove even small accumulations of frost, ice or snow from wing, tail and control surfaces. Also, make sure that control surfaces contain no internal accumulations of ice or debris. If a night flight is planned, check operation of all lights, and make sure a flashlight is available.

Figure 4-1. Preflight Inspection



CHECKLIST PROCEDURES

PREFLIGHT INSPECTION

① CABIN

1. Pitot Tube Cover -- REMOVE. Check for pitot blockage.
2. Pilot's Operating Handbook -- AVAILABLE IN THE AIRPLANE.
3. Airplane Weight and Balance -- CHECKED.
4. Parking Brake -- SET.
5. Control Wheel Lock -- REMOVE.
6. Ignition Switch -- OFF.
7. Avionics Master Switch -- OFF.

WARNING

WHEN TURNING ON THE MASTER SWITCH, USING AN EXTERNAL POWER SOURCE, OR PULLING THE PROPELLER THROUGH BY HAND, TREAT THE PROPELLER AS IF THE IGNITION SWITCH WERE ON. DO NOT STAND, NOR ALLOW ANYONE ELSE TO STAND, WITHIN THE ARC OF THE PROPELLER, SINCE A LOOSE OR BROKEN WIRE OR A COMPONENT MALFUNCTION COULD CAUSE THE PROPELLER TO ROTATE.

8. Master Switch -- ON.
9. Fuel Quantity Indicators -- CHECK QUANTITY and ENSURE LOW FUEL ANNUNCIATORS (L LOW FUEL R) are EXTINGUISHED.
10. Avionics Master Switch -- ON.
11. Avionics Cooling Fan -- CHECK AUDIBLY FOR OPERATION.
12. Avionics Master Switch -- OFF.
13. Static Pressure Alternate Source Valve -- OFF.
14. Annunciator Panel Switch -- PLACE AND HOLD IN TST POSITION and ensure all annunciators illuminate.
15. Annunciator Panel Test Switch -- RELEASE. Check that appropriate annunciators remain on.



NOTE

When Master Switch is turned ON, some annunciators will flash for approximately 10 seconds before illuminating steadily. When panel TST switch is toggled up and held in position, all remaining lights will flash until the switch is released.

16. Fuel Selector Valve -- BOTH.
17. Flaps -- EXTEND.
18. Pitot Heat -- ON. (Carefully check that pitot tube is warm to the touch within 30 seconds.)
19. Stall Warning -- CHECK. (To check the system, place the vane upward; a sound from the warning horn with the Master Switch on will confirm system operation.)
20. Pitot Heat -- OFF.
21. Master Switch -- OFF.
22. Trim Controls -- Neutral.
23. Baggage Door -- CHECK, lock with key.

② EMPENNAGE

1. Rudder Gust Lock (if installed) -- REMOVE.
2. Tail Tie-Down -- DISCONNECT.
3. Control Surfaces -- CHECK freedom of movement and security.
4. Trim Tab -- CHECK security.
5. Antennas -- CHECK for security of attachment and general condition.

③ RIGHT WING Trailing Edge

1. Aileron -- CHECK freedom of movement and security.
2. Flap -- CHECK for security and condition.

④ RIGHT WING

1. Wing Tie-Down -- DISCONNECT.
2. Fuel Tank Vent Opening -- CHECK for blockage.
3. Main Wheel Tire -- CHECK for proper inflation and general condition (weather checks, tread depth and wear, etc...).



4. Fuel Tank Sump Quick Drain Valves -- DRAIN at least a cupful of fuel (using sampler cup) from each sump location to check for water, sediment, and proper fuel grade before each flight and after each refueling. If water is observed, take further samples until clear and then gently rock wings and lower tail to the ground to move any additional contaminants to the sampling points. Take repeated samples from **all** fuel drain points until **all** contamination has been removed. If contaminants are still present, refer to WARNING below and do not fly airplane.

 **WARNING**

IF, AFTER REPEATED SAMPLING, EVIDENCE OF CONTAMINATION STILL EXISTS, THE AIRPLANE SHOULD NOT BE FLOWN. TANKS SHOULD BE DRAINED AND SYSTEM PURGED BY QUALIFIED MAINTENANCE PERSONNEL. ALL EVIDENCE OF CONTAMINATION MUST BE REMOVED BEFORE FURTHER FLIGHT.

5. Fuel Quantity -- CHECK VISUALLY for desired level.
6. Fuel Filler Cap -- SECURE and VENT UNOBSTRUCTED.

⑤ NOSE

1. Static Source Opening (right side of fuselage) -- CHECK for blockage.
2. Fuel Strainer Quick Drain Valve (Located on lower right side engine cowling) -- DRAIN at least a cupful of fuel (using sampler cup) from valve to check for water, sediment, and proper fuel grade before each flight and after each refueling. If water is observed, take further samples until clear and then gently rock wings and lower tail to the ground to move any additional contaminants to the sampling points. Take repeated samples from **all** fuel drain points, including the fuel return line and the fuel selector, until **all** contamination has been removed. If contaminants are still present, refer to WARNING above and do not fly airplane.



3. Engine Oil Dipstick/Filler Cap -- CHECK oil level, then check dipstick/filler cap SECURE. Do not operate with less than four quarts. Fill to nine quarts for extended flight.
4. Engine Cooling Air Inlets -- CLEAR of obstructions.
5. Propeller and Spinner -- CHECK for nicks and security.
6. Air Filter -- CHECK for restrictions by dust or other foreign matter.
7. Nose Wheel Strut and Tire -- CHECK for proper inflation of strut and general condition (weather checks, tread depth and wear, etc...) of tire.
8. Static Source Opening (left side of fuselage) -- CHECK for blockage.

⑥ LEFT WING

1. Fuel Quantity -- CHECK VISUALLY for desired level.
2. Fuel Filler Cap -- SECURE and VENT UNOBSTRUCTED.
3. Fuel Tank Sump Quick Drain Valves -- DRAIN at least a cupful of fuel (using sampler cup) from each sump location to check for water, sediment, and proper fuel grade before each flight and after each refueling. If water is observed, take further samples until clear and then gently rock wings and lower tail to the ground to move any additional contaminants to the sampling points. Take repeated samples from **all** fuel drain points until **all** contamination has been removed. If contaminants are still present, refer to WARNING on page 4-9 and do not fly airplane.
4. Main Wheel Tire -- CHECK for proper inflation and general condition (weather checks, tread depth and wear, etc...).



⑦ LEFT WING Leading Edge

1. Fuel Tank Vent Opening -- CHECK for blockage.
2. Stall Warning Opening -- CHECK for freedom of movement.
3. Wing Tie-Down -- DISCONNECT.
4. Landing/Taxi Light(s) -- CHECK for condition and cleanliness of cover.

⑧ LEFT WING Trailing Edge

1. Aileron-- CHECK for freedom of movement and security.
2. Flap -- CHECK for security and condition.

BEFORE STARTING ENGINE

1. Preflight Inspection -- COMPLETE.
2. Passenger Briefing -- COMPLETE.
3. Seats, Seat Belts, Shoulder Harnesses -- ADJUST and LOCK.
Ensure inertia reel locking.
4. Brakes -- TEST and SET.
5. Circuit Breakers -- CHECK IN.
6. Electrical Equipment -- OFF.

⚠ CAUTION

**THE AVIONICS MASTER SWITCH MUST BE OFF
DURING ENGINE START TO PREVENT
POSSIBLE DAMAGE TO AVIONICS.**

7. Avionics Master Switch -- OFF.
8. Cowl Flaps -- OPEN.
9. Fuel Selector Valve -- BOTH.
10. Avionics Circuit Breakers -- CHECK IN.



STARTING ENGINE (With Battery)

1. Throttle -- OPEN 1/4 INCH.
2. Propeller -- HIGH RPM.
3. Mixture -- IDLE CUT OFF.
4. Propeller Area -- CLEAR.
5. Master Switch -- ON.
6. Auxiliary Fuel Pump Switch -- ON.
7. Mixture -- ADVANCE to full rich until the fuel flow just starts to rise, then return to IDLE CUT OFF position.
8. Auxiliary Fuel Pump -- OFF.

NOTE

If engine is warm, omit priming procedure of steps 6, 7 and 8 above.

9. Ignition Switch -- START (release when engine starts).
10. Mixture -- ADVANCE smoothly to RICH when engine fires.

NOTE

If engine floods, place mixture in idle cut off, open throttle 1/2 to full, and crank engine. When engine fires, advance mixture to full rich and retard throttle promptly.

11. Oil Pressure -- CHECK.
12. Flashing Beacon and Navigation Lights -- ON as required.
13. Avionics Master Switch -- ON.
14. Radios -- ON.
15. Flaps -- RETRACT.

STARTING ENGINE (With External Power)

1. Throttle -- OPEN 1/4 INCH.
2. Propeller - HIGH RPM.
3. Mixture -- IDLE CUT OFF.
4. Propeller Area -- CLEAR.
5. External Power -- CONNECT to airplane receptacle.



6. Master Switch -- ON.
7. Auxiliary Fuel Pump Switch -- ON.
8. Mixture -- ADVANCE to full rich until the fuel flow just starts to rise, then return to IDLE CUT OFF position.
9. Auxiliary Fuel Pump -- OFF.

NOTE

If engine is warm, omit priming procedure of steps 7, 8 and 9 above.

10. Ignition Switch -- START (release when engine starts).
11. Mixture -- ADVANCE smoothly to RICH when engine fires.

NOTE

If engine floods, place mixture in idle cut off, open throttle 1/2 to full, and crank engine. When engine fires, advance mixture to full rich and retard throttle promptly.

12. Oil Pressure -- CHECK.
13. External Power -- DISCONNECT from airplane receptacle. Secure external power door.
14. Ammeter -- CHECK. (See checklist Section 7, Ground Service Plug Receptacle).
15. Flashing Beacon and Navigation Lights -- ON as required.
16. Avionics Master Switch -- ON.
17. Radios -- ON.
18. Flaps -- RETRACT.

BEFORE TAKEOFF

1. Parking Brake -- SET.
2. Passenger Seat Backs -- MOST UPRIGHT POSITION.
3. Seats and Seat Belts -- CHECK SECURE.
4. Cabin Doors -- CLOSED and LOCKED.
5. Flight Controls -- FREE and CORRECT.
6. Flight Instruments -- CHECK and SET.
7. Fuel Quantity -- CHECK.
8. Mixture -- RICH.
9. Fuel Selector Valve -- RECHECK BOTH.
10. Elevator Trim and Rudder Trim -- SET for takeoff.



11. Throttle -- 1800 RPM.
 - a. Magnetos -- CHECK (RPM drop should not exceed 150 RPM on either magneto or 50 RPM differential between magnetos).
 - b. Propeller -- CYCLE from high to low RPM; return to high RPM (full in).
 - c. Vacuum Gauge -- CHECK.
 - d. Engine Instruments and Ammeter -- CHECK.
12. Annunciator Panel -- Ensure no annunciators are illuminated.
13. Throttle -- CHECK IDLE.
14. Throttle -- 1000 RPM or less.
15. Throttle Friction Lock -- ADJUST.
16. Strobe Lights -- AS DESIRED.
17. Radios and Avionics -- SET.
18. NAV/GPS Switch (if installed) -- SET.
19. Autopilot (if installed) -- OFF.
20. Wing Flaps -- SET for takeoff (0° TO 20°).
21. Cowl Flap -- OPEN.
22. Brakes -- RELEASE.

TAKEOFF

NORMAL TAKEOFF

1. Wing Flaps -- 0° - 20°.
2. Power -- FULL THROTTLE and 2400 RPM.
3. Mixture -- RICH (mixture may be leaned to Maximum Power Fuel Flow placard value).
4. Elevator Control -- LIFT NOSE WHEEL (at 50-60 KIAS).
5. Climb Speed -- 70 KIAS (flaps 20°).
80 KIAS (flaps 0°).
6. Wing Flaps -- RETRACT.

SHORT FIELD TAKEOFF

1. Wing Flaps -- 20°.
2. Brakes -- APPLY.
3. Power -- FULL THROTTLE and 2400 RPM.
4. Mixture -- Lean to obtain Maximum Power Fuel Flow placard value.
5. Brakes -- RELEASE.
6. Elevator Control -- MAINTAIN SLIGHTLY TAIL LOW ATTITUDE.



7. Climb Speed -- 60 KIAS (until all obstacles are cleared).
8. Wing Flaps -- RETRACT slowly after reaching 70 KIAS.

ENROUTE CLIMB

NORMAL CLIMB

1. Airspeed -- 85-95 KIAS.
2. Power -- 23 in. Hg or FULL THROTTLE (whichever is less) and 2400 RPM.
3. Mixture -- 15 GPH or FULL RICH (whichever is less).
4. Fuel Selector Valve -- BOTH.
5. Cowl Flaps -- OPEN as required.

MAXIMUM PERFORMANCE CLIMB

1. Airspeed -- 82 KIAS at sea level to 77 KIAS at 10,000 feet.
2. Power -- FULL THROTTLE and 2400 RPM.
3. Mixture -- LEAN in accordance with Maximum Power Fuel Flow placard value.
4. Cowl Flaps -- OPEN.
5. Fuel Selector Valve -- BOTH.

CRUISE

1. Power -- 15 - 23 in. Hg, 2000-2400 RPM (no more than 80%).
2. Elevator and Rudder Trim -- ADJUST.
3. Mixture -- LEAN.
4. Cowl Flaps -- CLOSED.

DESCENT

1. Power -- AS DESIRED.
2. Mixture -- ENRICHEN as required.
3. Cowl Flaps -- CLOSED.
4. Altimeter -- SET.
5. NAV/GPS Switch -- SET.
6. Fuel Selector Valve -- BOTH.
7. Wing Flaps -- AS DESIRED (0°-10° below 140 KIAS; 10°-20° below 120 KIAS; 20° - FULL below 100 KIAS).



BEFORE LANDING

1. Pilot and Passenger Seat Backs -- MOST UPRIGHT POSITION.
2. Seats and Seat Belts -- SECURED and LOCKED.
3. Fuel Selector Valve -- BOTH.
4. Mixture -- RICH.
5. Propeller -- HIGH RPM.
6. Landing/Taxi Lights -- ON.
7. Autopilot (if installed) -- OFF.

LANDING

NORMAL LANDING

1. Airspeed -- 70-80 KIAS (flaps UP).
2. Wing Flaps -- AS DESIRED (0°-10° below 140 KIAS, 10°-20° below 120 KIAS, 20°-FULL below 100 KIAS).
3. Airspeed -- 60-70 KIAS (flaps FULL).
4. Power -- REDUCE to idle as obstacle is cleared.
5. Trim -- ADJUST.
6. Touchdown -- MAIN WHEELS FIRST.
7. Landing Roll -- LOWER NOSE WHEEL GENTLY.
8. Braking -- MINIMUM REQUIRED.

SHORT FIELD LANDING

1. Airspeed -- 70-80 KIAS (flaps UP).
2. Wing Flaps -- FULL (below 100 KIAS).
3. Airspeed -- 60 KIAS (until flare).
4. Trim -- ADJUST.
5. Touchdown -- MAIN WHEELS FIRST.
6. Brakes -- APPLY HEAVILY.
7. Wing Flaps -- RETRACT for maximum brake effectiveness.

BALKED LANDING

1. Power -- FULL THROTTLE and 2400 RPM.
2. Wing Flaps -- RETRACT TO 20°.
3. Climb Speed -- 55 KIAS.
4. Wing Flaps -- RETRACT slowly after reaching a safe altitude and 70 KIAS.
5. Cowl Flaps -- OPEN.



AFTER LANDING

1. Wing Flaps -- UP.
2. Cowl Flaps -- OPEN.

SECURING AIRPLANE

1. Parking Brake -- SET.
2. Throttle -- IDLE.
3. Electrical Equipment, Avionics Master Switch, Autopilot (if installed) -- OFF.
4. Mixture -- IDLE CUT-OFF (pulled full out).
5. Ignition Switch -- OFF.
6. Master Switch -- OFF.
7. Control Lock -- INSTALL.
8. Fuel Selector Valve -- LEFT or RIGHT to prevent cross feeding.



AMPLIFIED NORMAL PROCEDURES

PREFLIGHT INSPECTION

The Preflight Inspection, described in Figure 4-1 and adjacent checklist, is required prior to each flight. If the airplane has been in extended storage, has had recent major maintenance, or has been operated from marginal airports, a more extensive exterior inspection is recommended.

After major maintenance has been performed, the flight and trim tab controls should be double checked for free and correct movement and security. The security of all inspection plates on the airplane should be checked following periodic inspections. If the airplane has been waxed or polished, check the external static pressure source hole for stoppage.

If the airplane has been exposed to much ground handling in a crowded hangar, it should be checked for dents and scratches on wings, fuselage, and tail surfaces, damage to navigation and anti-collision lights, damage to nose wheel as a result of exceeding tow limits, and avionics antennas.

Outside storage for long periods may result in dust and dirt accumulation on the induction air filter, obstructions in airspeed system lines, water contaminants in fuel tanks and insect/bird/rodent nests in any opening. If any water is detected in the fuel system, the fuel tank sump quick drain valves, fuel return quick drain valve, and fuel strainer quick drain valve should all be thoroughly drained again. Then, the wings should be gently rocked and the tail lowered to the ground to move any further contaminants to the sampling points. Repeated samples should then be taken at **all** quick drain points until **all** contamination has been removed. If, after repeated sampling, evidence of contamination still exists, the fuel tanks should be completely drained and the fuel system cleaned.

Additionally, if the airplane has been stored outside in windy or gusty areas, or tied down adjacent to taxiing airplanes, special attention should be paid to control surface stops, hinges, and brackets to detect the presence of potential wind damage.



If the airplane has been operated from muddy fields or in snow or slush, check the main and nose gear wheel fairings for obstructions and cleanliness. Operation from a gravel or cinder field will require extra attention to propeller tips and abrasion on leading edges of the horizontal tail. Stone damage to the propeller can seriously reduce the fatigue life of the blades.

Airplanes that are operated from rough fields, especially at high altitudes, are subjected to abnormal landing gear abuse. Frequently check all components of the landing gear, shock strut, tires, and brakes. If the shock strut is insufficiently extended, undue landing and taxi loads will be subjected on the airplane structure.

To prevent loss of fuel in flight, make sure the fuel tank filler caps are tightly sealed after any fuel system check or servicing. Fuel system vents should also be inspected for obstructions, ice or water, especially after exposure to cold, wet weather.

STARTING ENGINE

STARTING (GENERAL)

In cooler weather, the engine compartment temperature drops off rapidly following engine shutdown and the injector nozzle lines remain nearly full of fuel.

However, in warmer weather, engine compartment temperatures may increase rapidly following engine shutdown, and fuel in the lines will vaporize and escape into the intake manifold. Hot weather starting procedures depend considerably on how soon the next engine start is attempted. Within the first 20 to 30 minutes after shutdown, the fuel manifold is adequately primed and the empty injector nozzle lines will fill before the engine dies. However, after approximately 30 minutes, the vaporized fuel in the manifold will have nearly dissipated and some slight "priming" could be required to refill the nozzle lines and keep the engine running after the initial start. Starting a hot engine is facilitated by advancing the mixture control promptly to 1/3 open when the engine fires, and then smoothly to full rich as power develops.



Should the engine tend to die after starting, turn on the auxiliary fuel pump temporarily and adjust the throttle and/or mixture as necessary to keep the engine running. In the event of over priming or flooding, turn off the auxiliary fuel pump, open the throttle from 1/2 to full open, and continue cranking with the mixture full lean. When the engine fires, smoothly advance the mixture control to full rich and retard the throttle to desired idle speed.

If the engine is under primed (most likely in cold weather with a cold engine) it will not fire at all, and additional priming will be necessary.

After starting, if the oil pressure indicator does not begin to indicate pressure within 30 seconds in the summer time and approximately one minute in very cold weather, stop the engine and investigate. Lack of oil pressure can cause serious engine damage.

NOTE

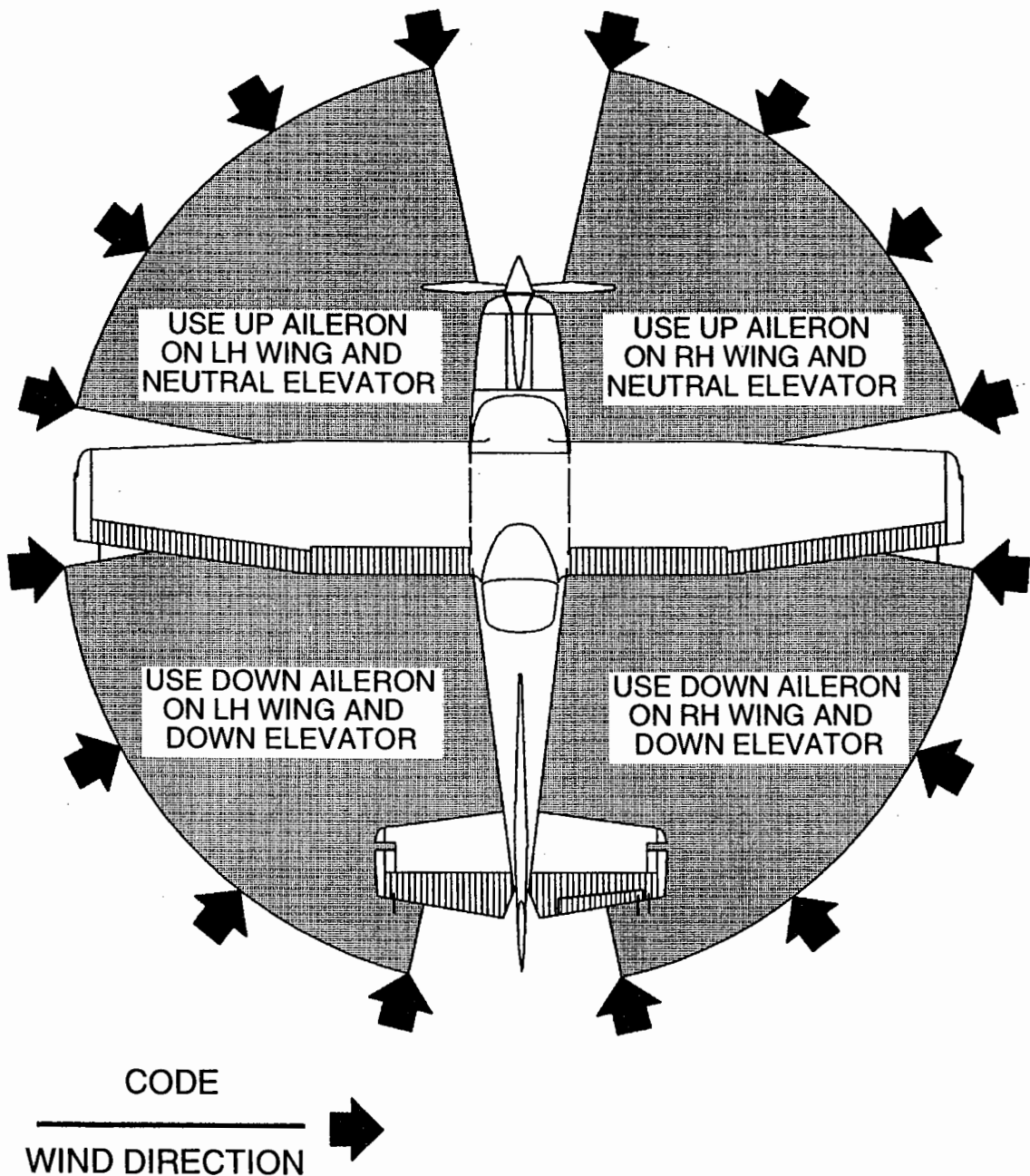
Additional details concerning cold weather starting and operation may be found under COLD WEATHER OPERATION paragraphs in this section.

Recommended starter duty cycle: Crank the starter for 10 seconds followed by a 20 second cool down period. This cycle can be repeated two additional times, followed by a ten minute cool down period before resuming cranking. After cool down, crank the starter again, three cycles of 10 seconds followed by 20 seconds of cool down. If the engine still fails to start, an investigation to determine the cause should be initiated.

TAXIING

When taxiing, it is important that speed and use of brakes be held to a minimum and that all controls be utilized (Refer to Figure 4-2, Taxiing Diagram) to maintain directional control and balance.

Taxiing over loose gravel or cinders should be done at low engine speed to avoid abrasion and stone damage to the propeller tips.



NOTE

Strong quartering tail winds require caution. Avoid sudden bursts of the throttle and sharp braking when the airplane is in this attitude. Use the steerable nose wheel and rudder to maintain direction.

0785T1012

Figure 4-2. Taxiing Diagram



BEFORE TAKEOFF

WARM UP

If the engine idles (approximately 650 RPM) and accelerates smoothly, the airplane is ready for takeoff. Since the engine is closely cowled for efficient in-flight engine cooling, precautions should be taken to avoid overheating during prolonged engine operation on the ground. Also, long periods of idling may cause fouled spark plugs.

MAGNETO CHECK

The magneto check should be made at 1800 RPM as follows. Move ignition switch first to R position and note RPM. Next move switch back to BOTH to clear the other set of plugs. Then move switch to the L position, note RPM and return the switch to the BOTH position. RPM drop should not exceed 150 RPM on either magneto or show greater than 50 RPM differential between magnetos. If there is a doubt concerning operation of the ignition system, RPM checks at higher engine speeds will usually confirm whether a deficiency exists.

An absence of RPM drop may be an indication of faulty grounding of one side of the ignition system or should be cause for suspicion that the magneto timing is set in advance of the setting specified.

ALTERNATOR CHECK

Prior to flights where verification of proper alternator and alternator control unit operation is essential (such as night or instrument flights), a positive verification can be made by loading the electrical system momentarily (3 to 5 seconds) with the landing light or by operating the wing flaps during the engine runup (1800 RPM). The ammeter will remain within a needle width of its initial reading if the alternator and alternator control unit are operating properly.



ELEVATOR TRIM

A neutral index mark is added to the pedestal cover which corresponds to the zero degree trim tab position. As loadings vary towards the forward C.G. limit, elevator trim settings towards the nose up and nose down ends of this takeoff range, respectively, will provide comfortable control wheel forces during takeoff and initial climb out.

LANDING LIGHTS

If landing lights are to be used to enhance the visibility of the airplane in the traffic pattern or enroute, it is recommended that only the taxi light be used. This will extend the service life of the landing light appreciably.

TAKEOFF

POWER CHECK

It is important to check full throttle engine operation early in the takeoff roll. Any sign of rough engine operation or sluggish engine acceleration is good cause for discontinuing the takeoff. If this occurs, you are justified in making a thorough full throttle static runup before another takeoff is attempted. The engine should run smoothly and turn approximately 2350 - 2400 RPM.

Full throttle run ups over loose gravel are especially harmful to propeller tips. When takeoffs must be made over a gravel surface, it is very important that the throttle be advanced slowly. This allows the airplane to start rolling before high RPM is developed, and the gravel will be blown back of the propeller rather than pulled into it.

Prior to takeoff from fields which require maximum performance, the mixture should be leaned to the fuel flow values provided on the Maximum Power Fuel Flow placard in a full throttle, static runup.

After full throttle is applied, adjust the throttle friction lock clockwise to prevent the throttle from creeping back from a maximum power position. Similar friction lock adjustments should be made as required in other flight conditions to maintain a fixed throttle setting.



WING FLAP SETTINGS

Normal takeoffs are accomplished with wing flaps 0°-20°. Using 20° wing flaps reduces the ground roll and total distance over an obstacle by approximately 20 percent. Flap deflections greater than 20° are not approved for takeoff.

On a short field, 20° wing flaps and an obstacle clearance speed of 60 KIAS should be used. If 20° wing flaps are used for takeoff, they should be left down until all obstacles are cleared and a safe flap retraction speed of 70 KIAS is reached.

Soft or rough field takeoffs are performed with 20° flaps by lifting the airplane off the ground as soon as practical in a slightly tail low attitude. If no obstacles are ahead, the airplane should be leveled off immediately to accelerate to a higher climb speed.

CROSSWIND TAKEOFF

Takeoffs under strong crosswind conditions normally are performed with the minimum flap setting necessary for the field length, to minimize the drift angle immediately after takeoff. With the ailerons partially deflected into the wind, the airplane is accelerated to a speed slightly higher than normal, then pulled off briskly to prevent possible settling back to the runway while drifting. When clear of the ground, make a coordinated turn into the wind to correct for drift.

ENROUTE CLIMB

Normal enroute climbs are performed at 85-95 KIAS with flaps up, 23 in. Hg. or full throttle (whichever is less) and 2400 RPM for the best combination of performance, visibility and engine cooling. The mixture should be set to 15 GPH or full rich (whichever is less) until obtaining the altitude at which full throttle is reached, after which no further adjustment of the mixture control is needed.

If it is necessary to climb more rapidly to clear mountains or reach favorable winds at higher altitudes, the best rate of climb speed should be used with maximum power. This speed is 82 KIAS at sea level, decreasing to 77 KIAS at 10,000 feet.



If an obstruction dictates the use of a steep climb angle, the best angle-of-climb speed should be used with flaps up and maximum power. This speed is 65 KIAS at sea level, increasing to 68 KIAS at 10,000 feet. This type of climb should be of the minimum duration and engine temperatures should be carefully monitored due to the low climb speed.

For maximum power, the mixture should be set in accordance with the Maximum Power Fuel flow placard.

CRUISE

Normal cruise is performed between 55% and 80% rated power. Initial power setting should be kept within the green arc ranges on the manifold pressure gauge and tachometer. The engine RPM and corresponding fuel consumption for various altitudes can be determined by the data in Section 5.

NOTE

Cruising should be done at 75% power as much as practicable until a total of 50 hours has accumulated or oil consumption has stabilized. Operation at this higher power will ensure proper seating of the rings and is applicable to new engines, and engines in service following cylinder replacement or top overhaul of one or more cylinders.

The Cruise Performance charts in Section 5 provide the pilot with detailed information concerning the cruise performance of the Model 182T in still air with speed fairings installed. Power and altitude, as well as winds aloft, have a strong influence on the time and fuel needed to complete any flight. The Cruise Performance table of Figure 4-3 illustrates some of these effects and may be used as a guide along with winds aloft information in selecting an altitude and power setting for a given trip. The selection of cruise altitude on the basis of most favorable wind conditions and the use of the lower power settings consistent with trip needs are significant factors which should be considered on every trip to reduce fuel consumption.



For reduced noise levels, it is desirable to select the lowest RPM in the green arc range for a given percent power that will provide smooth engine operation. The cowl flaps should be opened, if necessary, to maintain the cylinder head temperature at approximately two-thirds of the normal operating range (green arc).

ALTITUDE	80% POWER		75% POWER		65% POWER		55% POWER	
	KTAS	NMPG	KTAS	NMPG	KTAS	NMPG	KTAS	NMPG
4000 feet	141	10.2	138	10.6	129	11.3	118	11.8
6000 feet	144	10.4	140	10.8	131	11.4	120	12.0
8000 feet	---	---	142	11.0	133	11.6	122	12.1
10000 feet	---	---	---	---	135	11.8	124	12.3

Figure 4-3. Cruise Performance Table

Cruise performance data in this handbook is based on a recommended lean mixture setting which may be established using the EGT indicator at powers of 80% MCP and lower as follows:

1. Lean the mixture slowly until the EGT peaks and begins to drop.
2. Enrichen as needed to ensure operation at peak.
3. If engine operation is rough at peak EGT, further enrichen for smooth operation.

LEANING WITH AN EGT INDICATOR

The exhaust gas temperature (EGT) may be used as an aid for mixture leaning in cruising flight at 80% power or less. To adjust the mixture, using this indicator, lean to establish the peak EGT as a reference point, enrichen the mixture by the desired increment based on Figure 4-4, EGT Table.



MIXTURE DESCRIPTION	EXHAUST GAS TEMPERATURE
RECOMMENDED LEAN (Pilot's Operating Handbook)	50°F Rich of Peak EGT
BEST ECONOMY	Peak EGT
BEST POWER	125°F RICH

Figure 4-4. EGT Table

As noted in this table, operation at peak EGT provides the best fuel economy. This results in approximately 4% greater range than shown in this handbook accompanied by approximately a 3 knot decrease in speed.

Under some conditions, engine roughness may occur while operating at peak EGT. In this case, operate at the Recommended Lean mixture. Any change in altitude or throttle position will require a recheck of EGT indication.

Any change in altitude or power setting will require a change in the recommended lean mixture setting and a recheck of the EGT setting.

FUEL SAVINGS PROCEDURES FOR NORMAL OPERATIONS

For best fuel economy during normal operations, the following procedures are recommended.

1. After engine start and for all ground operations, set the throttle to 1200 RPM and lean the mixture for maximum RPM. After leaning, set the throttle to the appropriate RPM for ground operations. Leave the mixture at this setting until beginning the BEFORE TAKEOFF checklist. If prolonged ground operations exist after the BEFORE TAKEOFF checklist is complete re-lean the mixture as described above until ready for TAKEOFF Checklist.
2. Adjust the mixture for placarded fuel flows during maximum continuous power climbs.



3. Adjust the mixture at any altitude for **RECOMMENDED LEAN** or **BEST ECONOMY** fuel flows when using 80% or less power.

Using the above recommended procedures can provide fuel savings in excess of 5% when compared to typical operations at full rich mixture. In addition, the above procedures will minimize spark plug fouling since the reduction in fuel consumption results in a proportional reduction in tetraethyl lead passing through the engine.

FUEL VAPOR PROCEDURES

The engine fuel system can become susceptible to fuel vapor formation on the ground during warm weather. This will generally occur when the outside ambient air temperature is above 80°F. The situation is further aggravated by the fact that the engine fuel flows are lower at idle and taxi engine speeds. When vapor occurs as evidenced by idle engine speed and fuel flow fluctuations, the following procedures are recommended.

1. With the mixture full rich, set the throttle at 1800 RPM to 2000 RPM. Maintain this power setting for 1 to 2 minutes or until smooth engine operation returns.
2. Retard the throttle to idle to verify normal engine operation.
3. Advance the throttle to 1200 RPM and lean the mixture as described under **FUEL SAVINGS PROCEDURES FOR NORMAL OPERATIONS**.
4. Just prior to **TAKEOFF**, apply full throttle, for approximately 10 seconds to verify smooth engine operation for takeoff.

NOTE

When the engine is operated above 1800 RPM, the resulting increased fuel flow also makes for lower fuel temperatures throughout the engine fuel system. This increased flow purges the fuel vapor and the cooler fuel minimizes vapor formation.



STALLS

The stall characteristics are conventional and aural warning is provided by a stall warning horn which sounds between 5 and 10 knots above the stall in all configurations.

Power off stall speeds at maximum weight for both forward and aft C.G. positions are presented in Section 5.

LANDING

NORMAL LANDING

Normal landing approaches can be made with power on or power off with any flap setting desired. Surface winds and air turbulence are usually the primary factors in determining the most comfortable approach speeds.

Actual touchdown should be made with power off and on the main wheels first to reduce the landing speed and subsequent need for braking in the landing roll. The nose wheel is lowered to the runway gently after the speed has diminished to avoid unnecessary nose gear loads. This procedure is especially important in rough or soft field landings.

SHORT FIELD LANDING

For a short field landing in smooth air conditions, make an approach at 60 KIAS with FULL flaps using enough power to control the glide path. (Slightly higher approach speeds should be used under turbulent air conditions.) After all approach obstacles are cleared, reduce power to idle and maintain the approach speed by lowering the nose of the airplane. Touchdown should be made with power off and on the main wheels first. Immediately after touchdown, lower the nose wheel and apply heavy braking as required. For maximum brake effectiveness, retract the flaps, hold the control wheel full back, and apply maximum brake pressure without sliding the tires.



CROSSWIND LANDING

When landing in a strong crosswind, use the minimum flap setting required for the field length. Although the crab or combination method of drift correction may be used, the wing low method gives the best control. After touchdown, hold a straight course with the steerable nose wheel and occasional braking if necessary.

The maximum allowable crosswind velocity is dependent upon pilot capability as well as airplane limitations. Operation in direct crosswinds of 15 knots has been demonstrated.

BALKED LANDING

In a bailed landing (go-around) climb, reduce the flap setting to 20° immediately after full power is applied. After all obstacles are cleared and a safe altitude and airspeed are obtained, the wing flaps should be retracted.

COLD WEATHER OPERATION

Special consideration should be given to the operation of the airplane fuel system during the winter season or prior to any flight in cold temperatures. Proper preflight draining of the fuel system is especially important and will eliminate any free water accumulation. The use of additives such as isopropyl alcohol or diethylene glycol monomethyl ether may also be desirable. Refer to Section 8 for information on the proper use of additives.

Cold weather often causes conditions which require special care during airplane operations. Even small accumulations of frost, ice, or snow must be removed, particularly from wing, tail and all control surfaces to assure satisfactory flight performance and handling. Also, control surfaces must be free of any internal accumulations of ice or snow.



If snow or slush covers the takeoff surface, allowance must be made for takeoff distances which will be increasingly extended as the snow or slush depth increases. The depth and consistency of this cover can, in fact, prevent takeoff in many instances.

STARTING

WARNING

WHEN PULLING THE PROPELLER THROUGH BY HAND, TREAT IT AS IF THE IGNITION SWITCH IS TURNED ON. A LOOSE OR BROKEN GROUND WIRE ON EITHER MAGNETO COULD CAUSE THE ENGINE TO FIRE.

Prior to starting on cold mornings, it is advisable to pull the propeller through several times by hand to "break loose" or "limber" the oil, thus conserving battery energy.

When air temperatures are below 20°F (-6°C), the use of an external preheater and an external power source are recommended whenever possible to obtain positive starting and to reduce wear and abuse to the engine and electrical system. Preheat will thaw the oil trapped in the oil cooler, which probably will be congealed prior to starting in extremely cold temperatures.

When using an external power source, the master switch must be in the OFF position before connecting the external power source to the airplane receptacle. See Section 7, Ground Service Plug Receptacle, for external power source operations.

Cold weather starting procedures are the same as the normal starting procedures. Use caution to prevent inadvertent forward movement of the airplane during starting when parked on snow or ice.



NOTE

If the engine does not start during the first few attempts, or if engine firing diminishes in strength, it is probable that the spark plugs have been frosted over. Preheat must be used before another start is attempted.

During cold weather operations, no indication will be apparent on the oil temperature gage prior to takeoff if outside air temperatures are very cold. After a suitable warm up period (2 to 5 minutes at 1000 RPM), accelerate the engine several times to higher engine RPM. If the engine accelerates smoothly and the oil pressure remains normal and steady, the airplane is ready for takeoff.

WINTERIZATION KIT

A winterization kit is provided and may be utilized when cold weather operations are conducted.

HOT WEATHER OPERATION

Refer to the general warm temperature starting information under Starting Engine in this section. Avoid prolonged engine operation on the ground.

NOISE CHARACTERISTICS AND NOISE REDUCTION

The certificated noise level for the Model 182T at 3100 pounds maximum weight is 77.7 dB(A). No determination has been made by the Federal Aviation Administration that the noise levels of this airplane are or should be acceptable or unacceptable for operation at, into, or out of, any airport.



The following procedures are suggested to minimize the effect of airplane noise on the public:

1. Pilots operating airplanes under VFR over outdoor assemblies of persons, recreational and park areas, and other noise sensitive areas should make every effort to fly not less than 2000 feet above the surface, weather permitting, even though flight at a lower level may be consistent with the provisions of government regulations.
2. During departure from or approach to an airport, climb after takeoff and descent for landing should be made so as to avoid prolonged flight at low altitude near noise sensitive areas.

NOTE

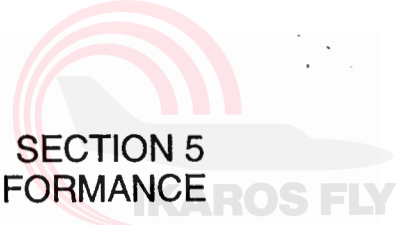
The above recommended procedures do not apply where they would conflict with Air Traffic Control clearances or instructions, or where, in the pilot's judgment, an altitude of less than 2000 feet is necessary to adequately exercise the duty to see and avoid other airplanes.

SECTION 5

PERFORMANCE

TABLE OF CONTENTS

	Page
Introduction	5-3
Use of Performance Charts	5-3
Sample Problem	5-3
Takeoff	5-4
Cruise	5-5
Fuel Required	5-6
Landing	5-8
Demonstrated Operating Temperature	5-8
Figure 5-1, Airspeed Calibration - Normal Static Source	5-9
Airspeed Calibration - Alternate Static Source	5-10
Figure 5-2, Altimeter Correction	5-11
Figure 5-3, Temperature Conversion Chart	5-12
Figure 5-4, Stall Speeds	5-13
Figure 5-5, Crosswind Components	5-14
Figure 5-6, Short Field Takeoff Distance - 3100 Lbs	5-15
Short Field Takeoff Distance - 2700 Lbs	5-16
Short Field Takeoff Distance - 2300 Lbs	5-17
Figure 5-7, Maximum Rate Of Climb	5-18
Figure 5-8, Time, Fuel, And Distance To Climb	5-19
Figure 5-9, Cruise Performance	5-21
Figure 5-10, Range Profile	5-32
Figure 5-11, Endurance Profile	5-34
Figure 5-12, Short Field Landing Distance	5-36



INTRODUCTION

Performance data charts on the following pages are presented so that you may know what to expect from the airplane under various conditions, and also, to facilitate the planning of flights in detail and with reasonable accuracy. The data in the charts has been computed from actual flight tests with the airplane and engine in good condition and using average piloting techniques.

It should be noted that performance information presented in the range and endurance profile charts allows for 45 minutes reserve fuel at the specified cruise power. Fuel flow data for cruise is based on the recommended lean mixture setting at all altitudes. Some indeterminate variables such as mixture leaning technique, fuel metering characteristics, engine and propeller condition, and air turbulence may account for variations of 10% or more in range and endurance. Therefore, it is important to utilize all available information to estimate the fuel required for the particular flight and to flight plan in a conservative manner.

USE OF PERFORMANCE CHARTS

Performance data is presented in tabular or graphical form to illustrate the effect of different variables. Sufficiently detailed information is provided in the tables so that conservative values can be selected and used to determine the particular performance figure with reasonable accuracy.

SAMPLE PROBLEM

The following sample flight problem utilizes information from the various charts to determine the predicted performance data for a typical flight. Assume the following information has already been determined:

AIRPLANE CONFIGURATION:

Takeoff weight	3100 Pounds
Usable fuel	87.0 Gallons

TAKEOFF CONDITIONS

Field pressure altitude	1500 Feet
Temperature	28°C (16°C Above Standard)
Wind component along runway	12 Knot Headwind
Field length	3500 Feet



CRUISE CONDITIONS:

Total distance	450 Nautical Miles
Pressure altitude	7500 Feet
Temperature	16°
Expected wind enroute	10 Knot Headwind

LANDING CONDITIONS:

Field pressure altitude	2000 Feet
Temperature	25°C
Field length	3000 Feet

TAKEOFF

The takeoff distance chart, Figure 5-5, should be consulted, keeping in mind that distances shown are based on the short field technique. Conservative distances can be established by reading the chart at the next higher value of weight, altitude and temperature. For example, in this particular sample problem, the takeoff distance information presented for a weight of 3100 pounds, pressure altitude of 2000 feet and a temperature of 30°C should be used and results in the following:

Ground roll	1055 Feet
Total distance to clear a 50-foot obstacle	2035 Feet

These distances are well within the available takeoff field length. However, a correction for the effect of wind may be made based on Note 3 of the takeoff chart. The correction for a 12 knot headwind is:

$$\frac{12 \text{ Knots}}{9 \text{ Knots}} \times 10\% = 13\% \text{ Decrease}$$

This results in the following distances, corrected for wind:

Ground roll, zero wind	1055
Decrease in ground roll (1055 feet X 13%)	<u>-137</u>
Corrected ground roll	918 Feet

Total distance to clear a 50-foot obstacle, zero wind	2035
Decrease in total distance (2035 feet X 13%)	<u>-265</u>
Corrected total distance to clear 50-foot obstacle	1770 Feet

CRUISE

The cruising altitude should be selected based on a consideration of trip length, winds aloft, and the airplane's performance. A typical cruising altitude and the expected wind enroute have been given for this sample problem. However, the power setting selection for cruise must be determined based on several considerations. These include the cruise performance characteristics presented in Figure 5-9, the range profile chart presented in Figure 5-10, and the endurance profile chart presented in Figure 5-11.

The relationship between power and range is illustrated by the range profile chart. Considerable fuel savings and longer range result when lower power settings are used. For this sample problem, a cruise power of approximately 60% will be used.

The cruise performance chart, Figure 5-9, is entered at 8000 feet pressure altitude and 20°C above standard temperature. These values most nearly correspond to the planned altitude and expected temperature conditions. The engine speed chosen is 2400 RPM and 19 inches of manifold pressure, which results in the following:

Power	60%
True airspeed	130 Knots
Cruise fuel flow	10.7 GPH



FUEL REQUIRED

The total fuel requirement for the flight may be estimated using the performance information in Figure 5-8 and Figure 5-9. For this sample problem, Figure 5-8 shows that a normal climb from 2000 feet to 8000 feet requires 2.7 gallons of fuel. The corresponding distance during the climb is 18 nautical miles. These values are for a standard temperature and are sufficiently accurate for most flight planning purposes. However, a further correction for the effect of temperature may be made as noted on the climb chart. The approximate effect of a non-standard temperature is to increase the time, fuel, and distance by 10% for each 10°C above standard temperature, due to the lower rate of climb. In this case, assuming a temperature 16°C above standard the correction would be:

$$\frac{16^{\circ}}{10^{\circ}\text{C}} \times 10\% = 16\% \text{ Increase}$$

With this factor included, the fuel estimate would be calculated as follows:

Fuel to climb, standard temperature	2.7
Increase due to non-standard temperature (2.7 X 16%)	<u>0.5</u>
Corrected fuel to climb	3.2 Gallons

Using a similar procedure for the distance to climb results in 21 nautical miles.

The resultant cruise distance is:

Total distance	450
Climb distance	<u>-21</u>
Cruise distance	429
	Nautical Miles

With an expected 10 knot headwind, the ground speed for cruise is predicted to be:

$$\begin{array}{r} 130 \\ -10 \\ \hline 120 \text{ Knots} \end{array}$$

Therefore, the time required for the cruise portion of the trip is:

$$\frac{429 \text{ Nautical Miles}}{120 \text{ Knots}} = 3.6 \text{ Hours}$$

The fuel required for cruise is:

$$3.6 \text{ hours} \times 10.7 \text{ gallons/hour} = 38.5 \text{ Gallons}$$

A 45-minute reserve requires:

$$\frac{45}{60} \times 10.7 \text{ gallons / hour} = 8.0 \text{ Gallons}$$

The total estimated fuel required is as follows:

Engine start, taxi, and takeoff	1.7
Climb	3.2
Cruise	38.5
Reserve	<u>8.0</u>
Total fuel required	51.4 Gallons

Once the flight is underway, ground speed checks will provide a more accurate basis for estimating the time enroute and the corresponding fuel required to complete the trip with ample reserve.



LANDING

A procedure similar to takeoff should be used for estimating the landing distance at the destination airport. Figure 5-12 presents landing distance information for the short field technique. The distances corresponding to 2000 feet and 30°C are as follows:

Ground roll	540 Feet
Total distance to clear a 50-foot obstacle	1280 Feet

A correction for the effect of wind may be made based on Note 2 of the landing chart, using the same procedure as outlined for takeoff.

DEMONSTRATED OPERATING TEMPERATURE

Satisfactory engine cooling has been demonstrated for this airplane with an outside air temperature 23°C above standard. This is not to be considered as an operating limitation. Reference should be made to Section 2 for engine operating limitations.

AIRSPEED CALIBRATION

NORMAL STATIC SOURCE

CONDITION:

Power required for level flight or maximum power descent.

FLAPS UP													
KIAS	55	60	70	80	90	100	110	120	130	140	150	160	
KCAS	61	65	73	82	90	99	108	117	126	136	146	156	
FLAPS 20°													
KIAS	40	50	60	70	80	90	100	110	120	---	---	---	---
KCAS	52	57	64	72	80	88	98	108	118	---	---	---	---
FLAPS FULL													
KIAS	40	50	60	70	80	90	95	---	---	---	---	---	---
KCAS	51	56	63	71	80	89	94	---	---	---	---	---	---

Figure 5-1. Airspeed Calibration (Sheet 1 of 2)



AIRSPEED CALIBRATION

ALTERNATE STATIC SOURCE

NOTE:

Windows closed, ventilators closed, cabin heater, cabin air, and defroster on maximum.

CONDITION:

Power required for level flight or maximum power descent.

FLAPS UP													
KIAS	55	60	70	80	90	100	110	120	130	140	150	160	
ALT KIAS	53	58	70	81	91	101	111	121	131	141	151	161	
FLAPS 20°													
KIAS	40	50	60	70	80	90	100	110	120	---	---	---	
ALT KIAS	42	52	60	70	79	89	99	110	120	---	---	---	
FLAPS FULL													
KIAS	40	50	60	70	80	90	95	---	---	---	---	---	
ALT KIAS	35	45	55	66	77	87	93	---	---	---	---	---	



Figure 5-1. Airspeed Calibration (Sheet 2 of 2)

ALTIMETER CORRECTION ALTERNATE STATIC SOURCE

NOTE:

Add correction to desired altitude to obtain indicated altitude to fly.
Windows closed, ventilators closed, cabin heater, cabin air, and defroster on maximum.

CONDITIONS:

Power required for level flight or maximum power descent cruise configuration. Altimeter corrections for the takeoff configuration are less than 50 feet.

CONDITION FLAPS UP	CORRECTION TO BE ADDED- FEET KIAS - alternate static source ON					
	60	80	100	120	140	160
S.L.	30	10	-20	-30	-50	-50
2000 ft.	30	10	-20	-30	-50	-60
4000 ft.	30	10	-20	-40	-50	-60
6000 ft.	40	20	-20	-40	-60	-70
8000 ft.	40	20	-20	-40	-60	-70
10,000 ft.	50	20	-20	-50	-70	-70
12,000 ft.	50	20	-20	-50	-70	-70
14,000 ft.	50	20	-20	-50	-70	-80

CONDITION FLAPS FULL	CORRECTION TO BE ADDED- FEET KIAS - alternate static source ON					
	60	80	100	120	140	160
S.L.	40	20	10	---	---	---
2000 ft.	40	20	10	---	---	---
4000 ft.	40	20	10	---	---	---
6000 ft.	40	20	10	---	---	---
8000 ft.	40	20	10	---	---	---
10,000 ft.	50	20	10	---	---	---

Figure 5-2. Altimeter Correction



TEMPERATURE CONVERSION CHART

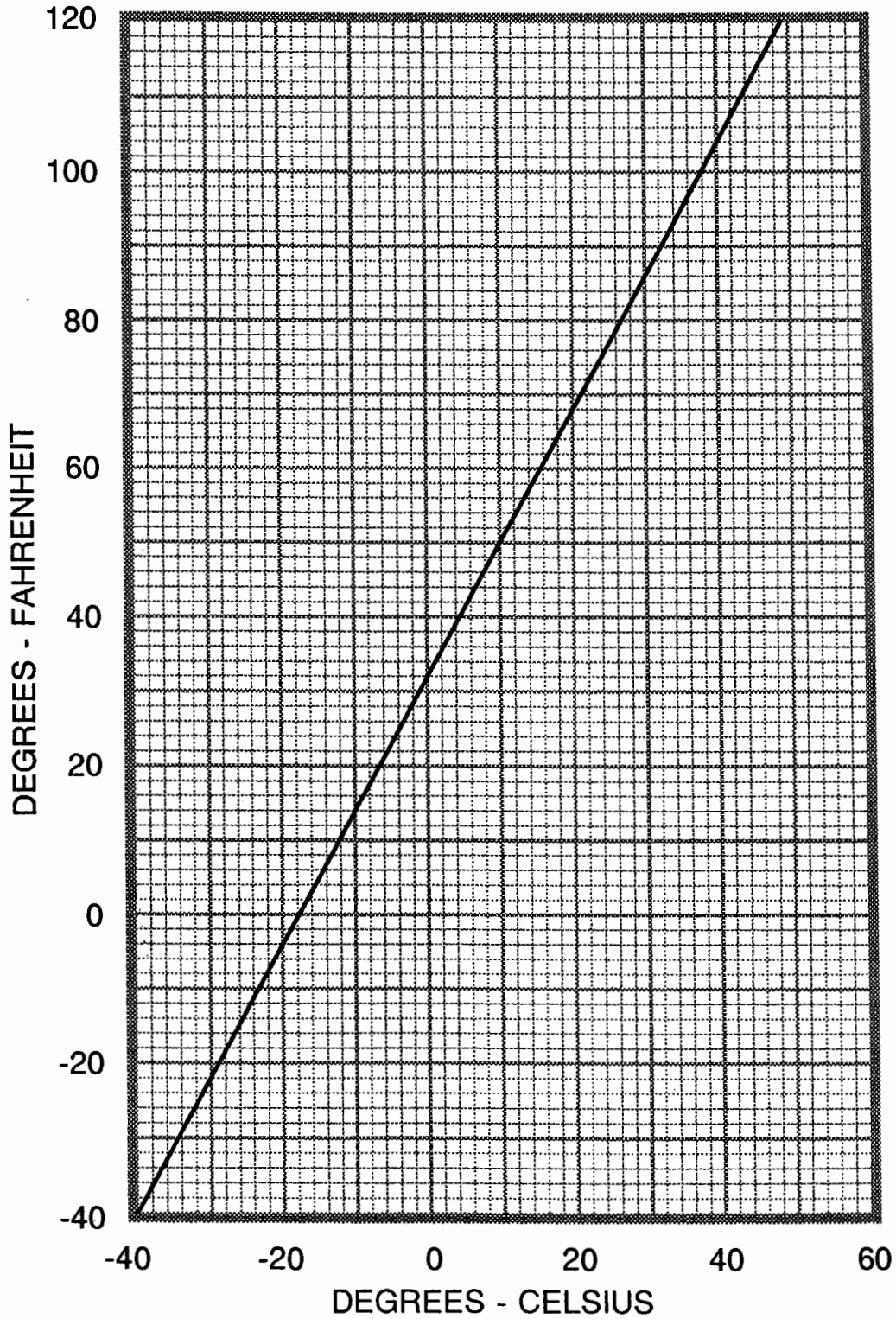


Figure 5-3. Temperature Conversion Chart

STALL SPEEDS AT 3100 POUNDS

Conditions:
Power Off

MOST REARWARD CENTER OF GRAVITY

FLAP SETTING	ANGLE OF BANK							
	0°		30°		45°		60°	
	KIAS	KCAS	KIAS	KCAS	KIAS	KCAS	KIAS	KCAS
UP	50	54	54	58	59	64	71	76
20°	43	50	46	54	51	59	61	71
FULL	40	49	43	53	48	58	57	69

MOST FORWARD CENTER OF GRAVITY

FLAP SETTING	ANGLE OF BANK							
	0°		30°		45°		60°	
	KIAS	KCAS	KIAS	KCAS	KIAS	KCAS	KIAS	KCAS
UP	51	56	55	60	61	67	72	79
20°	44	52	47	56	52	62	62	74
FULL	41	50	44	54	49	59	58	71

NOTES:

1. Altitude loss during a stall recovery may be as much as 250 feet.
2. KIAS values are approximate.

Figure 5-4. Stall Speeds



WIND COMPONENTS

NOTE

Maximum demonstrated crosswind velocity is 15 knots (not a limitation).

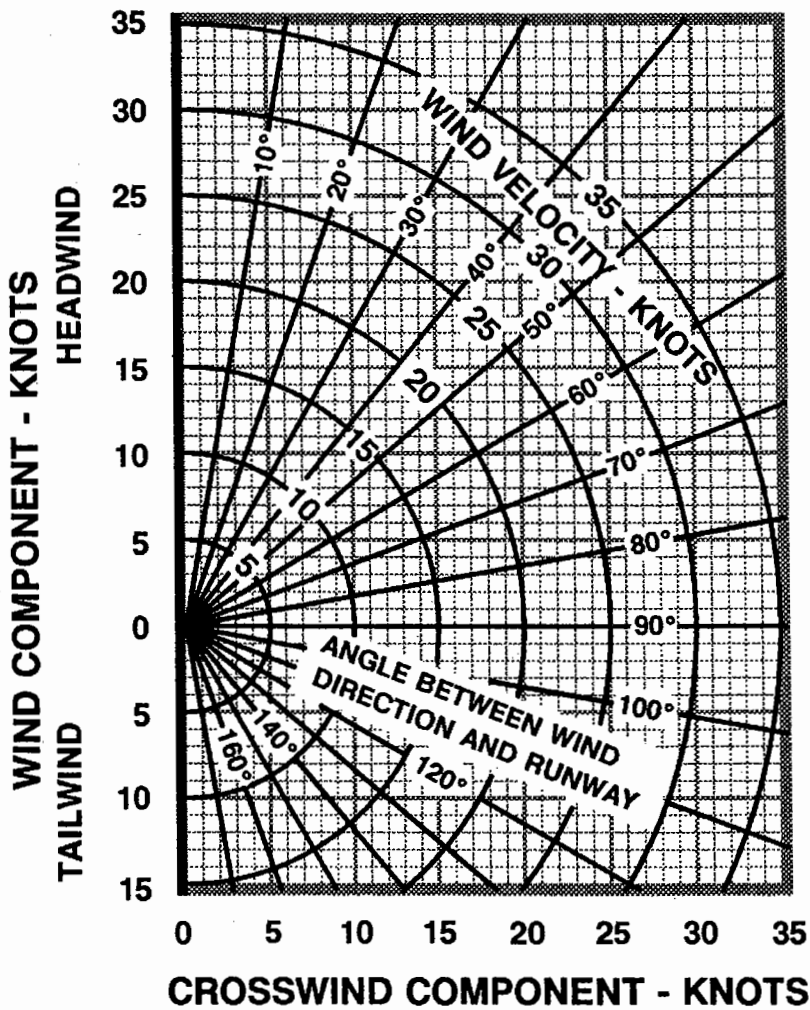


Figure 5-5. Crosswind Components

SHORT FIELD TAKEOFF DISTANCE AT 3100 POUNDS

CONDITIONS:

Flaps 20°
2400 RPM, Full Throttle and Mixture Set Prior to Brake Release
Cowl Flaps Open
Paved, Level, Dry Runway
Zero Wind
Lift Off: 49 KIAS
Speed at 50 Ft: 58 KIAS

Press Alt In Feet	0°C		10°C		20°C		30°C		40°C	
	Grnd Roll Ft	Total Ft To Clear 50 Ft Obst	Grnd Roll Ft	Total Ft To Clear 50 Ft Obst	Grnd Roll Ft	Total Ft To Clear 50 Ft Obst	Grnd Roll Ft	Total Ft To Clear 50 Ft Obst	Grnd Roll Ft	Total Ft To Clear 50 Ft Obst
S. L.	715	1365	765	1460	825	1570	885	1680	945	1800
1000	775	1490	835	1600	900	1720	965	1845	1030	1980
2000	850	1635	915	1760	980	1890	1055	2035	1130	2190
3000	925	1800	995	1940	1070	2090	1150	2255	1235	2435
4000	1015	1990	1090	2150	1175	2325	1260	2515	1355	2720
5000	1110	2210	1195	2395	1290	2595	1385	2820	1485	3070
6000	1220	2470	1315	2690	1415	2930	1520	3200	1635	3510
7000	1340	2785	1445	3045	1560	3345	1675	3685	---	---
8000	1480	3175	1595	3500	1720	3880	---	---	---	---

NOTES:

1. Short field technique as specified in Section 4.
2. Prior to takeoff, the mixture should be leaned to the Maximum Power Fuel Flow placard value in a full throttle, static runup.
3. Decrease distances 10% for each 9 knots headwind. For operation with tail winds up to 10 knots, increase distances by 10% for each 2 knots.
4. For operation on dry, grass runway, increase distances by 15% of the "ground roll" figure.

Figure 5-6. Short Field Takeoff Distance (Sheet 1 of 3)



SHORT FIELD TAKEOFF DISTANCE AT 2700 POUNDS

CONDITIONS:

Flaps 20°
2400 RPM, Full Throttle and Mixture Set Prior to Brake Release
Cowl Flaps Open
Paved, Level, Dry Runway
Zero Wind
Lift Off: 45 KIAS
Speed at 50 Ft: 54 KIAS

Press Alt In Feet	0°C		10°C		20°C		30°C		40°C	
	Grnd Roll Ft	Total Ft To Clear 50 Ft Obst	Grnd Roll Ft	Total Ft To Clear 50 Ft Obst	Grnd Roll Ft	Total Ft To Clear 50 Ft Obst	Grnd Roll Ft	Total Ft To Clear 50 Ft Obst	Grnd Roll Ft	Total Ft To Clear 50 Ft Obst
S. L.	520	995	560	1065	600	1135	645	1215	690	1295
1000	565	1080	610	1155	655	1235	700	1320	750	1410
2000	615	1180	665	1260	710	1350	765	1445	820	1545
3000	675	1285	725	1380	775	1480	835	1585	895	1695
4000	735	1410	790	1510	850	1625	910	1740	975	1870
5000	805	1550	865	1665	930	1790	1000	1920	1070	2065
6000	880	1705	950	1840	1020	1980	1095	2135	1175	2300
7000	965	1890	1040	2040	1120	2205	1200	2380	1290	2575
8000	1060	2100	1145	2275	1230	2465	1320	2675	1420	2910

NOTES:

1. Short field technique as specified in Section 4.
2. Prior to takeoff, the mixture should be leaned to the Maximum Power Fuel Flow placard value in a full throttle, static runup.
3. Decrease distances 10% for each 9 knots headwind. For operation with tail winds up to 10 knots, increase distances by 10% for each 2 knots.
4. For operation on dry, grass runway, increase distances by 15% of the "ground roll" figure.

Figure 5-6. Short Field Takeoff Distance (Sheet 2 of 3)

SHORT FIELD TAKEOFF DISTANCE AT 2300 POUNDS

CONDITIONS:

Flaps 20°
2400 RPM, Full Throttle and Mixture Set Prior to Brake Release
Cowl Flaps Open
Paved, Level, Dry Runway
Zero Wind
Lift Off: 42 KIAS
Speed at 50 Ft: 50 KIAS

Press Alt In Feet	0°C		10°C		20°C		30°C		40°C	
	Grnd Roll Ft	Total Ft To Clear 50 Ft Obst	Grnd Roll Ft	Total Ft To Clear 50 Ft Obst	Grnd Roll Ft	Total Ft To Clear 50 Ft Obst	Grnd Roll Ft	Total Ft To Clear 50 Ft Obst	Grnd Roll Ft	Total Ft To Clear 50 Ft Obst
S. L.	365	705	390	750	420	800	450	850	480	905
1000	395	765	425	815	455	870	490	925	520	985
2000	430	830	460	885	495	940	530	1005	565	1070
3000	470	900	505	960	540	1025	580	1090	620	1165
4000	510	980	550	1045	590	1115	630	1190	675	1270
5000	555	1065	600	1140	640	1220	690	1305	735	1390
6000	610	1165	655	1250	700	1335	755	1430	805	1530
7000	665	1275	715	1370	770	1470	825	1570	885	1685
8000	730	1405	785	1510	845	1620	905	1735	970	1865

NOTES:

1. Short field technique as specified in Section 4.
2. Prior to takeoff, the mixture should be leaned to the Maximum Power Fuel Flow placard value in a full throttle, static runup.
3. Decrease distances 10% for each 9 knots headwind. For operation with tail winds up to 10 knots, increase distances by 10% for each 2 knots.
4. For operation on dry, grass runway, increase distances by 15% of the "ground roll" figure.

Figure 5-6. Short Field Takeoff Distance (Sheet 3 of 3)



MAXIMUM RATE-OF-CLIMB AT 3100 POUNDS

CONDITIONS:

Flaps Up
2400 RPM, Full Throttle, Mixture Set to Maximum Power Fuel Flow placard
Cowl Flaps Open

PRESS ALT FT	CLIMB SPEED KIAS	RATE OF CLIMB - FPM			
		-20°C	0°C	20°C	40°C
S.L.	80	1055	980	905	835
2000	79	945	875	805	735
4000	78	840	770	705	635
6000	77	735	670	605	535
8000	75	625	560	495	430
10,000	74	520	455	390	330
12,000	73	410	350	285	225
14,000	72	310	250	190	130

 Figure 5-7. Maximum Rate of Climb

TIME, FUEL AND DISTANCE TO CLIMB AT 3100 POUNDS

MAXIMUM RATE OF CLIMB

CONDITIONS:

Flaps Up
2400 RPM, Full Throttle, Mixture Set to Maximum Power Fuel Flow placard
Cowl Flaps Open
Standard Temperature

PRESS ALT FT	CLIMB SPEED KIAS	RATE OF CLIMB FPM	FROM SEA LEVEL		
			TIME IN MIN	FUEL USED GAL	DIST NM
S.L.	80	925	0	0.0	0
2000	79	835	2	0.8	3
4000	78	750	5	1.5	7
6000	77	660	8	2.3	11
8000	75	565	11	3.2	16
10,000	74	470	15	4.2	21
12,000	73	375	20	5.2	29
14,000	72	285	26	6.5	38

NOTES:

1. Add 1.7 gallons of fuel for engine start, taxi and takeoff allowance.
2. Mixture leaned to Maximum Power Fuel Flow placard value for smooth engine operation and increased power.
3. Increase time, fuel and distance by 10% for each 10°C above standard temperature.
4. Distances shown are based on zero wind.

Figure 5-8. Time, Fuel and Distance to Climb (Sheet 1 of 2)



TIME, FUEL AND DISTANCE TO CLIMB AT 3100 POUNDS

NORMAL CLIMB - 90 KIAS

CONDITIONS:

Flaps Up
2400 RPM, 23 in. Hg. or Full Throttle (whichever is less), Mixture 15 GPH or Full Rich (whichever is less)
Cowl Flaps As Required.
Standard Temperature

PRESS ALT FT	CLIMB SPEED KIAS	RATE OF CLIMB FPM	FROM SEA LEVEL		
			TIME IN MIN	FUEL USED GAL	DIST NM
S.L.	90	665	0	0.0	0
2000	90	625	3	0.8	5
4000	90	580	6	1.6	10
6000	90	540	10	2.5	16
8000	90	455	14	3.5	23
10,000	90	370	19	4.6	31

NOTES:

1. Add 1.7 gallons of fuel for engine start, taxi and takeoff allowance.
2. Mixture leaned to Maximum Power Fuel Flow placard value for smooth engine operation and increased power.
3. Increase time, fuel and distance by 10% for each 10°C above standard temperature.
4. Distances shown are based on zero wind.

Figure 5-8. Time, Fuel and Distance to Climb (Sheet 2 of 2)

CRUISE PERFORMANCE PRESSURE ALTITUDE SEA LEVEL

CONDITIONS:

3100 Pounds
Recommended Lean Mixture
Cowl Flaps Closed

- NOTE: 1. Maximum cruise power is 80% MCP. Those powers above that value in the table are for interpolation purposes only.
2. For best economy, operate at peak EGT.

RPM	MP	20°C BELOW STANDARD TEMP -5°C			STANDARD TEMPERATURE 15°C			20°C ABOVE STANDARD TEMP 35°C		
		% BHP	KTAS	GPH	% BHP	KTAS	GPH	% BHP	KTAS	GPH
2400	27	---	---	---	---	---	---	---	---	---
	26	---	---	---	---	---	---	82	140	14.3
	25	84	134	14.5	81	136	14.0	78	138	13.5
	24	79	132	13.6	76	133	13.2	74	135	12.8
	23	74	129	12.8	71	130	12.4	69	131	12.1
	22	69	126	12.1	67	127	11.7	65	127	11.4
	21	65	122	11.4	62	122	11.1	60	123	10.8
	20	60	118	10.7	58	118	10.4	56	118	10.2
2300	27	---	---	---	---	---	---	84	141	14.5
	26	---	---	---	82	137	14.2	79	139	13.7
	25	80	133	13.9	78	135	13.4	75	136	13.0
	24	76	130	13.2	73	132	12.7	71	132	12.3
	23	71	127	12.4	69	128	12.0	67	129	11.7
	22	67	124	11.7	65	124	11.4	62	125	11.1
	21	62	120	11.1	60	120	10.8	58	121	10.5
	20	58	116	10.4	56	116	10.2	54	116	9.9
2200	27	---	---	---	83	137	14.4	80	139	13.9
	26	82	133	14.2	79	135	13.6	76	136	13.2
	25	77	131	13.4	75	133	12.9	72	134	12.6
	24	73	129	12.7	71	130	12.3	68	130	11.9
	23	69	126	12.0	66	126	11.7	64	126	11.3
	22	65	122	11.4	62	122	11.1	60	123	10.8
	21	60	118	10.8	58	119	10.5	56	118	10.2
	20	56	114	10.2	54	114	9.9	52	114	9.7

Figure 5-9. Cruise Performance (Sheet 1 of 11)



CRUISE PERFORMANCE PRESSURE ALTITUDE SEA LEVEL

CONDITIONS:

3100 Pounds
Recommended Lean Mixture
Cowl Flaps Closed

- NOTE:**
1. Maximum cruise power is 80% MCP. Those powers above that value in the table are for interpolation purposes only.
 2. For best economy, operate at peak EGT.

RPM	MP	20°C BELOW STANDARD TEMP -5°C			STANDARD TEMPERATURE 15°C			20°C ABOVE STANDARD TEMP 35°C		
		% BHP	KTAS	GPH	% BHP	KTAS	GPH	% BHP	KTAS	GPH
2100	27	82	133	14.2	79	135	13.7	76	136	13.2
	26	78	131	13.4	75	133	13.0	73	134	12.6
	25	74	129	12.8	71	130	12.4	69	130	12.0
	24	70	126	12.1	67	127	11.8	65	127	11.4
	23	66	123	11.5	63	123	11.2	61	123	10.9
	22	61	119	10.9	59	120	10.6	57	120	10.4
	21	57	115	10.4	55	116	10.1	54	115	9.9
	20	53	111	9.8	51	111	9.6	50	111	9.3
2000	27	78	131	13.4	75	133	13.0	72	134	12.6
	26	74	129	12.8	71	130	12.4	69	131	12.0
	25	70	126	12.2	67	127	11.8	65	127	11.5
	24	66	123	11.6	64	124	11.3	62	124	11.0
	23	62	120	11.0	60	120	10.7	58	121	10.5
	22	58	116	10.5	56	117	10.2	54	116	10.0
	21	54	113	10.0	53	112	9.7	51	112	9.5
	20	51	108	9.4	49	108	9.2	47	108	9.0

Figure 5-9. Cruise Performance (Sheet 2 of 11)

CRUISE PERFORMANCE PRESSURE ALTITUDE 2000 FEET

CONDITIONS:

3100 Pounds
Recommended Lean Mixture
Cowl Flaps Closed

- NOTE:** 1. Maximum cruise power is 80% MCP. Those powers above that value in the table are for interpolation purposes only.
2. For best economy, operate at peak EGT.

RPM	MP	20°C BELOW STANDARD TEMP -9°C			STANDARD TEMPERATURE 11°C			20°C ABOVE STANDARD TEMP 31°C		
		% BHP	KTAS	GPH	% BHP	KTAS	GPH	% BHP	KTAS	GPH
2400	26	---	---	---	---	---	---	---	---	---
	25	---	---	---	83	140	14.4	80	142	13.9
	24	81	136	14.1	79	138	13.6	76	139	13.2
	23	77	133	13.3	74	134	12.8	71	135	12.4
	22	72	130	12.5	69	131	12.1	67	131	11.7
	21	67	126	11.8	65	126	11.4	63	127	11.1
	20	62	122	11.0	60	122	10.7	58	122	10.5
2300	26	---	---	---	---	---	---	82	143	14.2
	25	83	137	14.4	80	139	13.9	77	140	13.4
	24	78	134	13.6	76	136	13.1	73	137	12.7
	23	74	131	12.8	71	133	12.4	69	133	12.0
	22	69	128	12.1	67	128	11.7	65	129	11.4
	21	65	124	11.4	62	124	11.1	60	125	10.8
	20	60	120	10.7	58	120	10.5	56	120	10.2
2200	26	---	---	---	81	139	14.1	78	140	13.6
	25	80	135	13.8	77	137	13.3	74	138	12.9
	24	75	132	13.1	73	134	12.6	70	134	12.3
	23	71	129	12.4	69	130	12.0	66	130	11.6
	22	67	126	11.7	64	126	11.4	62	127	11.0
	21	62	122	11.1	60	122	10.8	58	122	10.5
	20	58	118	10.5	56	118	10.2	54	118	9.9

Figure 5-9. Cruise Performance (Sheet 3 of 11)



CRUISE PERFORMANCE
PRESSURE ALTITUDE 2000 FEET

CONDITIONS:

3100 Pounds
Recommended Lean Mixture
Cowl Flaps Closed

- NOTE: 1. Maximum cruise power is 80% MCP. Those powers above that value in the table are for interpolation purposes only.
2. For best economy, operate at peak EGT.

RPM	MP	20°C BELOW STANDARD TEMP -9°C			STANDARD TEMPERATURE 11°C			20°C ABOVE STANDARD TEMP 31°C		
		% BHP	KTAS	GPH	% BHP	KTAS	GPH	% BHP	KTAS	GPH
2100	26	80	135	13.9	77	137	13.4	75	138	12.9
	25	76	133	13.1	73	134	12.7	71	134	12.3
	24	72	130	12.5	69	131	12.1	67	131	11.7
	23	68	127	11.8	65	127	11.5	63	127	11.2
	22	64	123	11.2	61	123	10.9	59	124	10.6
	21	59	119	10.6	57	119	10.4	55	119	10.1
	20	55	115	10.1	53	115	9.8	52	115	9.6
2000	26	76	133	13.1	73	134	12.7	71	134	12.3
	25	72	130	12.5	69	131	12.1	67	131	11.8
	24	68	127	11.9	66	127	11.5	64	128	11.2
	23	64	124	11.3	62	124	11.0	60	124	10.7
	22	60	120	10.8	58	120	10.5	56	120	10.2
	21	56	116	10.2	54	116	10.0	53	116	9.7
	20	52	112	9.7	51	112	9.4	49	111	9.2



Figure 5-9. Cruise Performance (Sheet 4 of 11)

CRUISE PERFORMANCE PRESSURE ALTITUDE 4000 FEET

CONDITIONS:

3100 Pounds
Recommended Lean Mixture
Cowl Flaps Closed

- NOTE: 1. Maximum cruise power is 80% MCP. Those powers above that value in the table are for interpolation purposes only.
2. For best economy, operate at peak EGT.

RPM	MP	20°C BELOW STANDARD TEMP -13°C			STANDARD TEMPERATURE 7°C			20°C ABOVE STANDARD TEMP 27°C		
		% BHP	KTAS	GPH	% BHP	KTAS	GPH	% BHP	KTAS	GPH
2400	25	---	---	---	---	---	---	83	146	14.4
	24	84	140	14.6	81	142	14.0	78	143	13.6
	23	79	138	13.7	76	139	13.2	74	139	12.8
	22	74	134	12.9	72	135	12.5	69	135	12.1
	21	70	130	12.1	67	131	11.7	65	131	11.4
	20	65	126	11.4	62	126	11.1	60	126	10.8
2300	25	---	---	---	83	143	14.3	80	144	13.8
	24	81	138	14.0	78	140	13.5	75	141	13.1
	23	76	135	13.2	74	137	12.8	71	137	12.4
	22	72	132	12.5	69	133	12.1	67	133	11.7
	21	67	128	11.7	65	128	11.4	62	129	11.1
	20	62	124	11.1	60	124	10.7	58	124	10.5
2200	25	82	139	14.2	79	141	13.7	77	142	13.2
	24	78	136	13.4	75	138	13.0	72	138	12.6
	23	73	133	12.7	71	134	12.3	68	134	11.9
	22	69	130	12.0	66	130	11.7	64	130	11.3
	21	65	126	11.4	62	126	11.0	60	126	10.7
	20	60	122	10.7	58	122	10.4	56	121	10.2

Figure 5-9. Cruise Performance (Sheet 5 of 11)



CRUISE PERFORMANCE
PRESSURE ALTITUDE 4000 FEET

CONDITIONS:

3100 Pounds
Recommended Lean Mixture
Cowl Flaps Closed

- NOTE: 1. Maximum cruise power is 80% MCP. Those powers above that value in the table are for interpolation purposes only.
2. For best economy, operate at peak EGT.

RPM	MP	20°C BELOW STANDARD TEMP -13°C			STANDARD TEMPERATURE 7°C			20°C ABOVE STANDARD TEMP 27°C		
		% BHP	KTAS	GPH	% BHP	KTAS	GPH	% BHP	KTAS	GPH
2100	25	78	137	13.5	75	138	13.0	73	138	12.6
	24	74	134	12.8	71	135	12.4	69	135	12.0
	23	70	131	12.2	67	131	11.8	65	131	11.4
	22	66	127	11.5	63	127	11.2	61	127	10.9
	21	61	123	10.9	59	123	10.6	57	123	10.3
	20	57	119	10.3	55	119	10.1	53	118	9.8
2000	25	74	134	12.8	71	135	12.4	69	135	12.1
	24	70	131	12.2	68	131	11.8	65	132	11.5
	23	66	127	11.6	64	128	11.3	62	128	11.0
	22	62	124	11.0	60	124	10.7	58	124	10.4
	21	58	120	10.5	56	120	10.2	54	120	9.9
	20	54	116	9.9	52	115	9.7	51	115	9.4

Figure 5-9. Cruise Performance (Sheet 6 of 11)

CRUISE PERFORMANCE PRESSURE ALTITUDE 6000 FEET

CONDITIONS:

3100 Pounds
Recommended Lean Mixture
Cowl Flaps Closed

- NOTE:** 1. Maximum cruise power is 80% MCP. Those powers above that value in the table are for interpolation purposes only.
2. For best economy, operate at peak EGT.

RPM	MP	20°C BELOW STANDARD TEMP -17°C			STANDARD TEMPERATURE 3°C			20°C ABOVE STANDARD TEMP 23°C		
		% BHP	KTAS	GPH	% BHP	KTAS	GPH	% BHP	KTAS	GPH
2400	23	82	142	14.2	79	143	13.6	76	144	13.2
	22	77	138	13.3	74	139	12.8	72	139	12.4
	21	72	135	12.5	69	135	12.1	67	135	11.7
	20	67	130	11.7	65	130	11.4	62	131	11.1
	19	62	126	11.0	60	126	10.7	58	125	10.4
2300	23	79	140	13.6	76	141	13.1	73	141	12.7
	22	74	136	12.8	71	137	12.4	69	137	12.0
	21	69	132	12.1	67	133	11.7	64	133	11.4
	20	65	128	11.4	62	128	11.0	60	128	10.7
	19	60	124	10.7	58	123	10.4	56	123	10.1
2200	23	76	137	13.1	73	138	12.6	70	138	12.3
	22	71	134	12.4	69	134	12.0	66	135	11.6
	21	67	130	11.7	64	130	11.3	62	130	11.0
	20	62	126	11.0	60	126	10.7	58	125	10.4
	19	58	121	10.4	56	121	10.1	54	120	9.9
2100	23	72	135	12.5	69	135	12.1	67	135	11.7
	22	68	131	11.8	65	131	11.5	63	131	11.1
	21	63	127	11.2	61	127	10.9	59	127	10.6
	20	59	123	10.6	57	122	10.3	55	122	10.0
	19	55	118	10.0	53	118	9.8	51	117	9.5
2000	23	68	131	11.9	66	132	11.5	63	132	11.2
	22	64	127	11.3	62	128	11.0	60	128	10.7
	21	60	124	10.7	58	123	10.4	56	123	10.2
	20	56	119	10.2	54	119	9.9	52	118	9.7
	19	52	115	9.6	50	114	9.4	48	113	9.1

Figure 5-9. Cruise Performance (Sheet 7 of 11)



CRUISE PERFORMANCE
PRESSURE ALTITUDE 8000 FEET

CONDITIONS:

3100 Pounds
Recommended Lean Mixture
Cowl Flaps Closed

- NOTE: 1. Maximum cruise power is 80% MCP. Those powers above that value in the table are for interpolation purposes only.
2. For best economy, operate at peak EGT.

RPM	MP	20°C BELOW STANDARD TEMP -21°C			STANDARD TEMPERATURE -1°C			20°C ABOVE STANDARD TEMP 19°C		
		% BHP	KTAS	GPH	% BHP	KTAS	GPH	% BHP	KTAS	GPH
2400	21	74	139	12.9	72	139	12.5	69	140	12.1
	20	69	134	12.1	67	135	11.7	65	135	11.4
	19	64	130	11.4	62	130	11.0	60	130	10.7
	18	59	125	10.6	57	124	10.3	55	124	10.1
2300	21	72	136	12.5	69	137	12.0	67	137	11.7
	20	67	132	11.7	64	132	11.3	62	132	11.0
	19	62	128	11.0	60	127	10.7	58	127	10.4
	18	57	122	10.3	55	122	10.1	53	121	9.8
2200	21	69	134	12.0	66	134	11.6	64	134	11.3
	20	64	130	11.3	62	130	11.0	60	129	10.7
	19	60	125	10.7	57	125	10.4	55	124	10.1
	18	55	120	10.1	53	119	9.8	51	119	9.5
2100	21	65	131	11.5	63	131	11.2	61	131	10.8
	20	61	127	10.9	59	126	10.6	57	126	10.3
	19	57	122	10.3	55	121	10.0	53	121	9.7
	18	52	117	9.7	50	116	9.4	49	115	9.2
2000	21	62	128	11.0	60	127	10.7	58	127	10.4
	20	58	123	10.4	56	123	10.1	54	122	9.9
	19	54	118	9.9	52	118	9.6	50	117	9.4

Figure 5-9. Cruise Performance (Sheet 8 of 11)

CRUISE PERFORMANCE PRESSURE ALTITUDE 10,000 FEET

CONDITIONS:

3100 Pounds
Recommended Lean Mixture
Cowl Flaps Closed

- NOTE: 1. Maximum cruise power is 80% MCP. Those powers above that value in the table are for interpolation purposes only.
2. For best economy, operate at peak EGT.

RPM	MP	20°C BELOW STANDARD TEMP -25°C			STANDARD TEMPERATURE -5°C			20°C ABOVE STANDARD TEMP 15°C		
		% BHP	KTAS	GPH	% BHP	KTAS	GPH	% BHP	KTAS	GPH
2400	20	72	139	12.5	69	139	12.1	67	139	11.7
	19	67	134	11.7	64	134	11.3	62	134	11.0
	18	62	129	11.0	59	129	10.6	57	128	10.3
2300	21	74	141	12.8	71	141	12.4	69	142	12.0
	20	69	136	12.1	66	137	11.7	64	136	11.3
	19	64	132	11.3	62	132	11.0	60	131	10.7
	18	59	126	10.6	57	126	10.3	55	125	10.1
2200	20	66	134	11.6	64	134	11.3	62	133	10.9
	19	62	129	11.0	59	129	10.6	57	128	10.4
	18	57	124	10.3	55	123	10.0	53	123	9.8
2100	20	63	131	11.2	61	130	10.8	59	130	10.5
	19	59	126	10.5	56	125	10.2	54	125	10.0
	18	54	121	9.9	52	120	9.7	50	119	9.4
2000	20	60	127	10.7	58	127	10.4	55	126	10.1
	19	56	122	10.1	54	122	9.8	52	121	9.6
	18	51	117	9.6	50	116	9.3	48	115	9.0

Figure 5-9. Cruise Performance (Sheet 9 of 11)



CRUISE PERFORMANCE
PRESSURE ALTITUDE 12,000 FEET

CONDITIONS:

3100 Pounds
Recommended Lean Mixture
Cowl Flaps Closed

- NOTE: 1. Maximum cruise power is 80% MCP. Those powers above that value in the table are for interpolation purposes only.
2. For best economy, operate at peak EGT.

RPM	MP	20°C BELOW STANDARD TEMP -29°C			STANDARD TEMPERATURE -9°C			20°C ABOVE STANDARD TEMP 11°C		
		% BHP	KTAS	GPH	% BHP	KTAS	GPH	% BHP	KTAS	GPH
2400	18	64	133	11.3	61	133	10.9	59	133	10.6
	17	59	127	10.5	56	127	10.2	54	126	10.0
	16	53	121	9.8	51	120	9.6	50	119	9.3
2300	18	61	131	10.9	59	130	10.6	57	130	10.3
	17	56	125	10.2	54	124	10.0	52	123	9.7
	16	52	118	9.6	50	118	9.3	48	117	9.0
2200	18	59	128	10.6	57	128	10.3	55	127	10.0
	17	54	122	9.9	52	121	9.7	50	121	9.4
2100	18	56	125	10.2	54	124	9.9	52	123	9.6
	17	52	119	9.6	50	118	9.3	48	117	9.1
2000	19	57	126	10.4	55	125	10.1	53	125	9.8
	18	53	121	9.8	51	120	9.5	49	119	9.3

Figure 5-9. Cruise Performance (Sheet 10 of 11)

CRUISE PERFORMANCE PRESSURE ALTITUDE 14,000 FEET

CONDITIONS:

3100 Pounds
Recommended Lean Mixture
Cowl Flaps Closed

- NOTE:**
1. Maximum cruise power is 80% MCP. Those powers above that value in the table are for interpolation purposes only.
 2. For best economy, operate at peak EGT.

RPM	MP	20°C BELOW STANDARD TEMP -33°C			STANDARD TEMPERATURE -13°C			20°C ABOVE STANDARD TEMP 7°C		
		% BHP	KTAS	GPH	% BHP	KTAS	GPH	% BHP	KTAS	GPH
2400	16	56	126	10.1	53	125	9.8	51	124	9.6
	15	50	118	9.4	48	117	9.1	47	116	8.9
2300	16	53	123	9.8	51	122	9.6	50	121	9.3
2200	16	51	120	9.6	49	119	9.3	48	118	9.0
2100	16	49	116	9.2	47	115	8.9	45	114	8.7



Figure 5-9. Cruise Performance (Sheet 11 of 11)



RANGE PROFILE
45 MINUTES RESERVE
64 GALLONS USABLE FUEL

CONDITIONS:

3100 Pounds
Normal Climb to 10,000 ft then Maximum Performance Climb with Placard Mixture
Recommended Lean Mixture for Cruise
Standard Temperature
Zero Wind

NOTE:

This chart allows for the fuel used for engine start, taxi, takeoff and climb, cruise at the designated power, and the distance during a normal climb up to 10,000 feet and maximum climb above 10,000 feet.

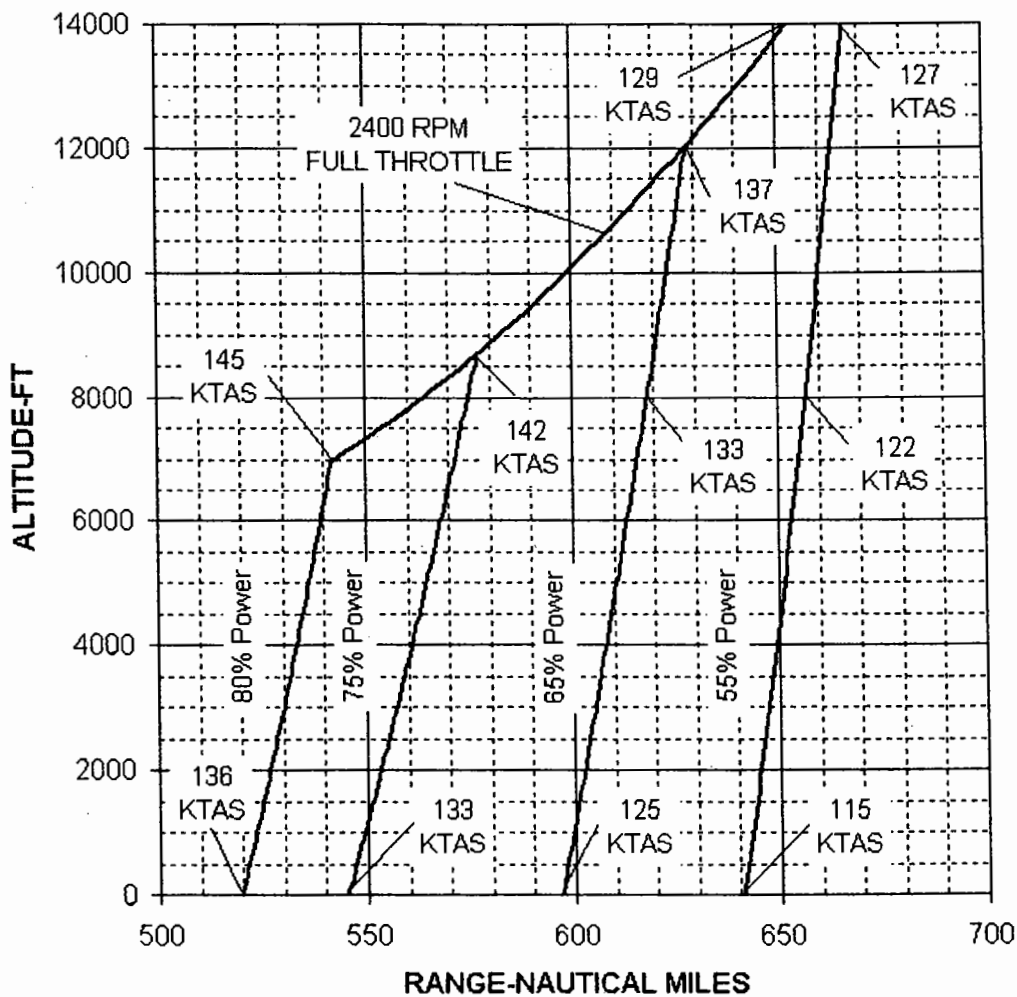


Figure 5-10. Range Profile (Sheet 1 of 2)

RANGE PROFILE 45 MINUTES RESERVE 87 GALLONS USABLE FUEL

CONDITIONS:

3100 Pounds
Normal Climb to 10,000 ft then Maximum Performance Climb with Placard Mixture
Recommended Lean Mixture for Cruise
Standard Temperature
Zero Wind

NOTE:

This chart allows for the fuel used for engine start, taxi, takeoff and climb, cruise at the designated power, and the distance during a normal climb up to 10,000 feet and maximum climb above 10,000 feet.

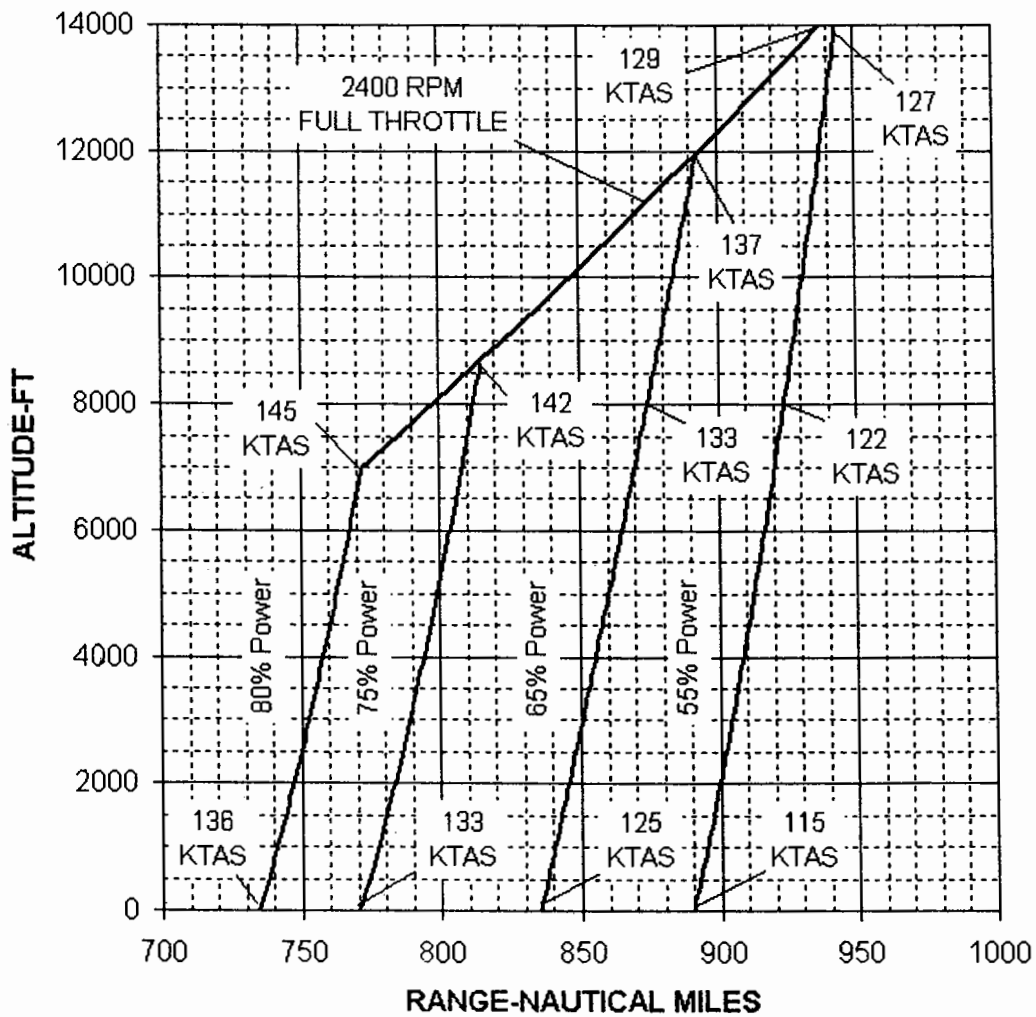


Figure 5-10. Range Profile (Sheet 2 of 2)



ENDURANCE PROFILE 45 MINUTES RESERVE 64 GALLONS USABLE FUEL

CONDITIONS:

3100 Pounds
Normal Climb to 10,000 ft then Maximum Performance Climb with Placard Mixture
Recommended Lean Mixture for Cruise
Standard Temperature
Zero Wind

NOTE:

This chart allows for the fuel used for engine start, taxi, takeoff and climb, cruise at the designated power, and the time during a normal climb up to 10,000 feet and maximum climb above 10,000 feet.

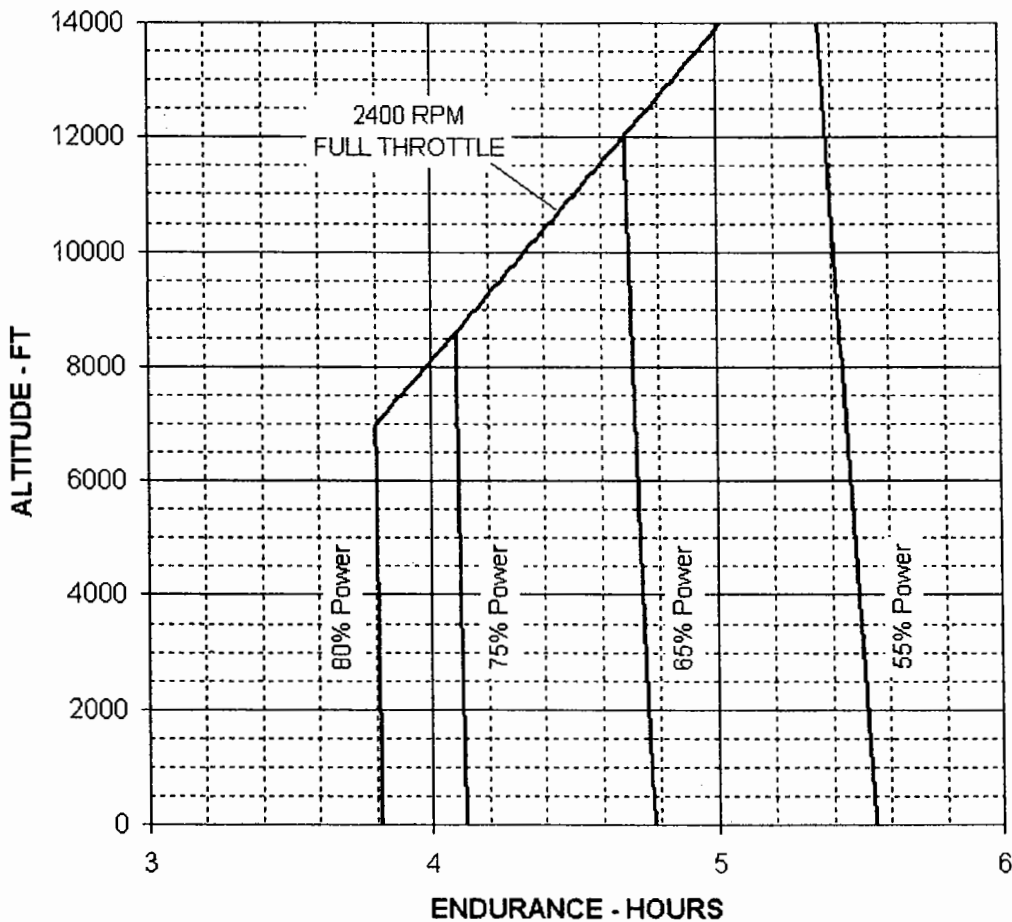


Figure 5-11. Endurance Profile (Sheet 1 of 2)

0785C1005



ENDURANCE PROFILE 45 MINUTES RESERVE 87 GALLONS USABLE FUEL

CONDITIONS:

3100 Pounds

Normal Climb to 10,000 ft then Maximum Performance Climb with Placard Mixture

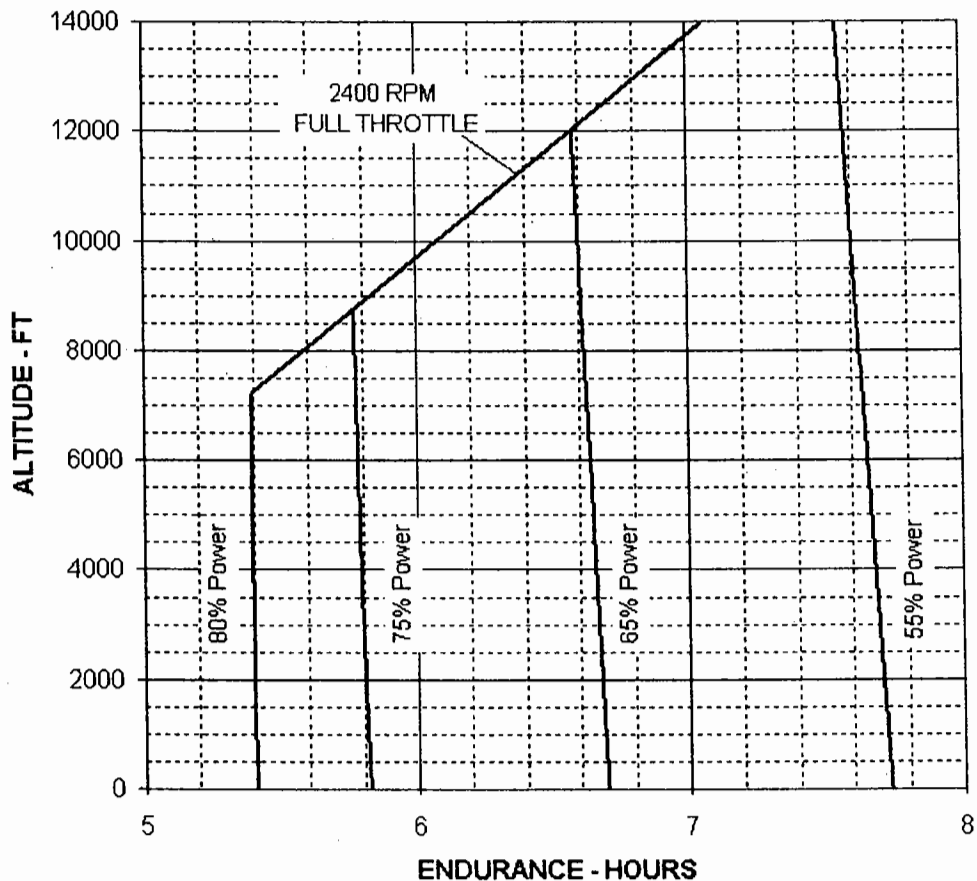
Recommended Lean Mixture for Cruise

Standard Temperature

Zero Wind

NOTE:

This chart allows for the fuel used for engine start, taxi, takeoff and climb, cruise at the designated power, and the time during a normal climb up to 10,000 feet and maximum climb above 10,000 feet.



0785C1006



Figure 5-11. Endurance Profile (Sheet 2 of 2)



SHORT FIELD LANDING DISTANCE AT 2950 POUNDS

CONDITIONS:

Flaps FULL
Power Off
Maximum Braking
Paved, level, dry runway
Zero Wind
Speed at 50 Ft: 60 KIAS

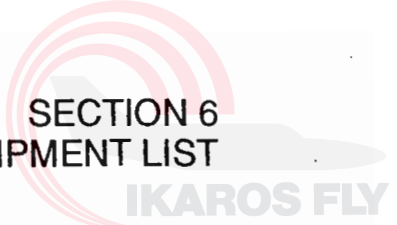
Press Alt In Feet	0°C		10°C		20°C		30°C		40°C	
	Grnd Roll Ft	Total Ft To Clear 50 Ft Obst	Grnd Roll Ft	Total Ft To Clear 50 Ft Obst	Grnd Roll Ft	Total Ft To Clear 50 Ft Obst	Grnd Roll Ft	Total Ft To Clear 50 Ft Obst	Grnd Roll Ft	Total Ft To Clear 50 Ft Obst
S. L.	560	1300	580	1335	600	1365	620	1400	640	1435
1000	580	1265	600	1365	620	1400	645	1440	665	1475
2000	600	1370	625	1405	645	1440	670	1480	690	1515
3000	625	1410	645	1445	670	1485	695	1525	715	1560
4000	650	1450	670	1485	695	1525	720	1565	740	1600
5000	670	1485	695	1525	720	1565	745	1610	770	1650
6000	700	1530	725	1575	750	1615	775	1660	800	1700
7000	725	1575	750	1615	780	1665	805	1710	830	1750
8000	755	1625	780	1655	810	1715	835	1760	865	1805

NOTES:

1. Short field technique as specified in Section 4.
2. Decrease distances 10% for each 9 knots headwind. For operation with tail winds up to 10 knots, increase distances by 10% for each 2 knots.
3. For operation on dry, grass runway, increase distances by 45% of the "ground roll" figure.
4. If a landing with flaps up is necessary, increase the approach speed by 10 KIAS and allow for 40% longer distances.

Figure 5-12. Short Field Landing Distance





SECTION 6 WEIGHT & BALANCE/ EQUIPMENT LIST

TABLE OF CONTENTS	Page
Introduction	6-3
Airplane Weighing Procedures	6-3
Weight And Balance	6-5
Baggage Tie-Down	6-7

INTRODUCTION

This section describes the procedure for establishing the basic empty weight and moment of the airplane. Sample forms are provided for reference. Procedures for calculating the weight and moment for various operations are also provided.

It should be noted that specific information regarding the weight, arm, moment and installed equipment for this airplane as delivered from the factory can only be found in the plastic envelope carried in the back of this handbook.

WARNING

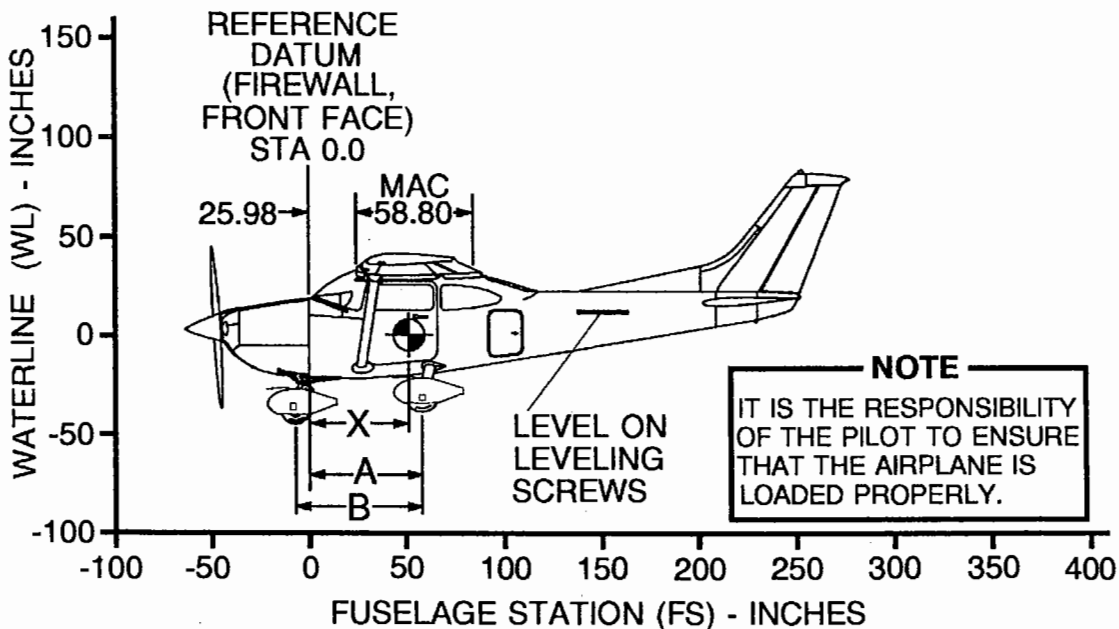
IT IS THE RESPONSIBILITY OF THE PILOT TO ENSURE THE AIRPLANE IS LOADED PROPERLY. OPERATION OUTSIDE OF PRESCRIBED WEIGHT AND BALANCE LIMITATIONS COULD RESULT IN AN ACCIDENT AND SERIOUS OR FATAL INJURY.

AIRPLANE WEIGHING PROCEDURES

1. Preparation:
 - a. Inflate tires to recommended operating pressures.
 - b. Defuel airplane. Refer to the Maintenance Manual.
 - c. Service engine oil as required to obtain a normal full indication (9 quarts on dipstick).
 - d. Move sliding seats to the most forward position.
 - e. Raise flaps to the fully retracted position.
 - f. Place all control surfaces in neutral position.
 - g. Remove all non-required items from airplane.
2. Leveling:
 - a. Place scales under each wheel (minimum scale capacity, 1000 pounds).
 - b. Deflate the nose tire and/or lower or raise the nose strut to properly center the bubble in the level (Refer to Figure 6-1).



AIRPLANE WEIGHING FORM



LEVELING PROVISIONS

LONGITUDINAL — LEFT SIDE OF TAILCONE AT FS 139.85 & 171.85

MEASURING A AND B

MEASURE A AND B PER PILOT'S OPERATING HANDBOOK INSTRUCTIONS TO ASSIST IN LOCATING CG WITH AIRPLANE WEIGHED ON LANDING GEAR

LOCATING CG WITH AIRPLANE ON LANDING GEAR

FORMULA for Longitudinal CG

$$(X) = (A) \cdot \frac{(\text{Nose Gear Net Weight})(\quad) X (B)}{\text{Nose and Main Landing Gear Weight Totalled} (\quad)} = (\quad) \text{ Inches } (\quad) \text{ Aft of Datum}$$

AIRPLANE AS WEIGHED TABLE

POSITION	SCALE READING	SCALE DRIFT	TARE	NET WEIGHT
LEFT SIDE				
AIRPLANE TOTAL AS WEIGHED				

LOCATING PERCENT MAC

FORMULA for Percent MAC

$$\text{CG Percent MAC} = \frac{(\text{CG Arm of Airplane}) - 25.98}{0.5880}$$

BASIC EMPTY WEIGHT AND CENTER-OF-GRAVITY TABLE

ITEM	WEIGHT (POUNDS)	CG ARM (INCHES)	MOMENT (INCH-POUNDS/1000)
AIRPLANE (CALCULATED OR AS WEIGHED) (INCLUDES ALL UNDRAINABLE FLUIDS AND FULL OIL)			
DRAINABLE UNUSABLE FUEL AT 6.0 POUNDS PER GALLON	30.0	48.0	1.2
BASIC EMPTY WEIGHT			

07851022

Figure 6-1. Airplane Weighing Form (Sheet 1 of 2)

3. Weighing:
 - a. Weigh airplane in a closed hangar to avoid errors caused by air currents.
 - b. With the airplane level and brakes released, record the weight shown on each scale. Deduct the tare, if any, from each reading.
4. Measuring:
 - a. Obtain measurement A by measuring horizontally (along the airplane centerline) from a line stretched between the main wheel centers to a plumb bob dropped from the firewall.
 - b. Obtain measurement B by measuring horizontally and parallel to the airplane centerline, from center of nose wheel axle, left side, to a plumb bob dropped from the line between the main wheel centers. Repeat on right side and average the measurements.
5. Using weights from item 3 and measurements from item 4, the airplane weight and C.G. can be determined.
6. Basic Empty Weight may be determined by completing Figure 6-1.

WEIGHT AND BALANCE

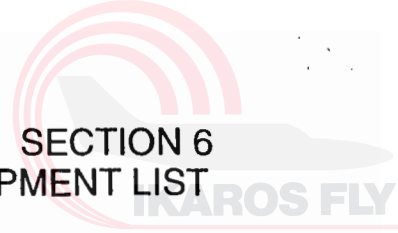
The following information will enable you to operate your Cessna within the prescribed weight and center of gravity limitations. To determine weight and balance, use the Sample Loading Problem, Loading Graph, and Center of Gravity Moment Envelope as follows:

Take the basic empty weight and moment from appropriate weight and balance records carried in your airplane, and enter them in the column titled YOUR AIRPLANE on the Sample Loading Problem.

NOTE

In addition to the basic empty weight and moment noted on these records, the C.G. arm (fuselage station) is also shown, but need not be used on the Sample Loading Problem. The moment which is shown must be divided by 1000 and this value used as the moment/1000 on the loading problem.

Use the Loading Graph to determine the moment/1000 for each additional item to be carried; then list these on the loading problem.



NOTE

Loading Graph information for the pilot, passengers and baggage is based on seats positioned for average occupants and baggage loaded in the center of the baggage areas as shown on the Loading Arrangements diagram. For loadings which may differ from these, the Sample Loading Problem lists fuselage stations for these items to indicate their forward and aft C.G. range limitations (seat travel and baggage area limitation). Additional moment calculations, based on the actual weight and C.G. arm (fuselage station) of the item being loaded, must be made if the position of the load is different from that shown on the Loading Graph.

Total the weights and moments/1000 and plot these values on the Center of Gravity Moment Envelope to determine whether the point falls within the envelope, and if the loading is acceptable.

BAGGAGE TIE-DOWN

A nylon baggage net having tie-down straps is provided as standard equipment to secure baggage in the area aft of the rear seat (baggage areas, A, B and C). Eight eyebolts serve as attaching points for the net. A placard on the baggage door defines the weight limitations in the baggage areas.

When baggage area A is utilized for baggage only, the four forward eyebolts should be used. When only baggage area B is used, the eyebolts just aft of the baggage door and the eyebolts above or below the shelf area may be used. When only baggage area C is utilized, the eyebolts above and below the shelf area should be used. When the cabin floor (baggage areas A and B) is utilized for baggage, the four forward eyebolts and the eyebolts mounted above or below the shelf area should be used. When there is baggage in areas B and C, the eyebolts just aft of the baggage door and the eyebolts above and below the shelf area should be used. When baggage is contained in all three areas, the two forward eyebolts on the cabin floor, the eyebolts just aft of the baggage door or the eyebolts at the bottom of the forward portion of the shelf area and the eyebolts near the upper forward surface of the shelf area should be used.

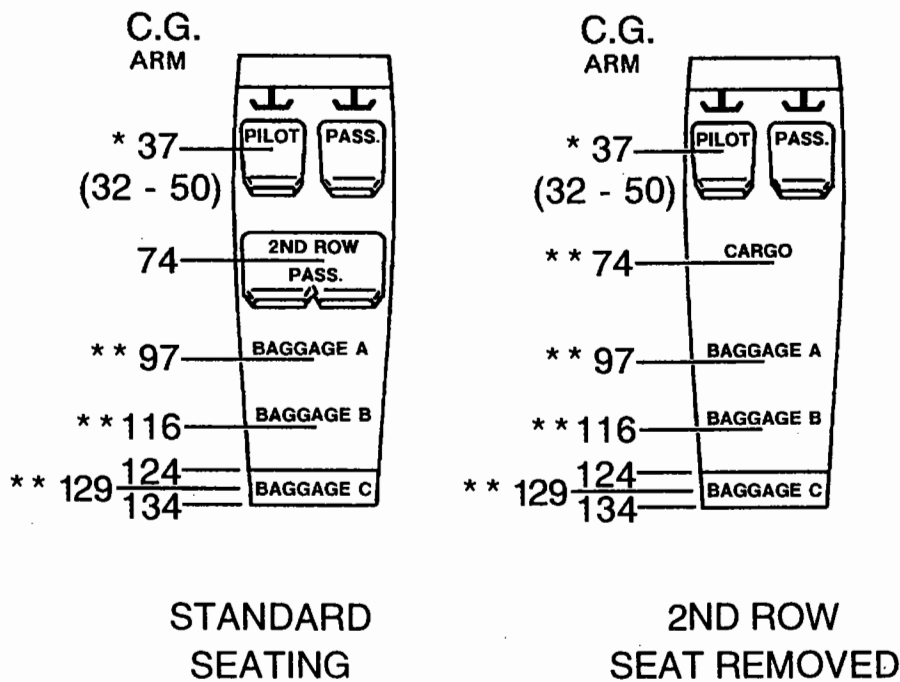


The rear bench seat can be removed to access the floorboard area of the rear cabin. Baggage may then be tied down using ten tiedown eyebolts to standard attach points located in the interior area of the airplane (shown in Figure 6-4 , Sheet 2). The maximum allowable floor loading of the rear cabin area is 200 pounds/square foot; however, when items with small or sharp support areas are carried, the installation of a 1/4" plywood floor is recommended to protect the airplane structure.

The maximum rated load weight capacity for each of the ten tie-downs is 140 pounds. Rope, strap or cable used for tie-down should be rated at a minimum of ten times the load weight capacity of the tie-down fittings used. Weight and balance calculations for items in the area of the rear seat and baggage area can be figured on the Loading Graph using the lines labeled 2nd Row Passengers or cargo.



LOADING ARRANGEMENTS



* Pilot or passenger center of gravity on adjustable seats positioned for average occupant. Numbers in parentheses indicate forward and aft limits of occupant center of gravity range.

** Arms measured to the center of the areas shown.

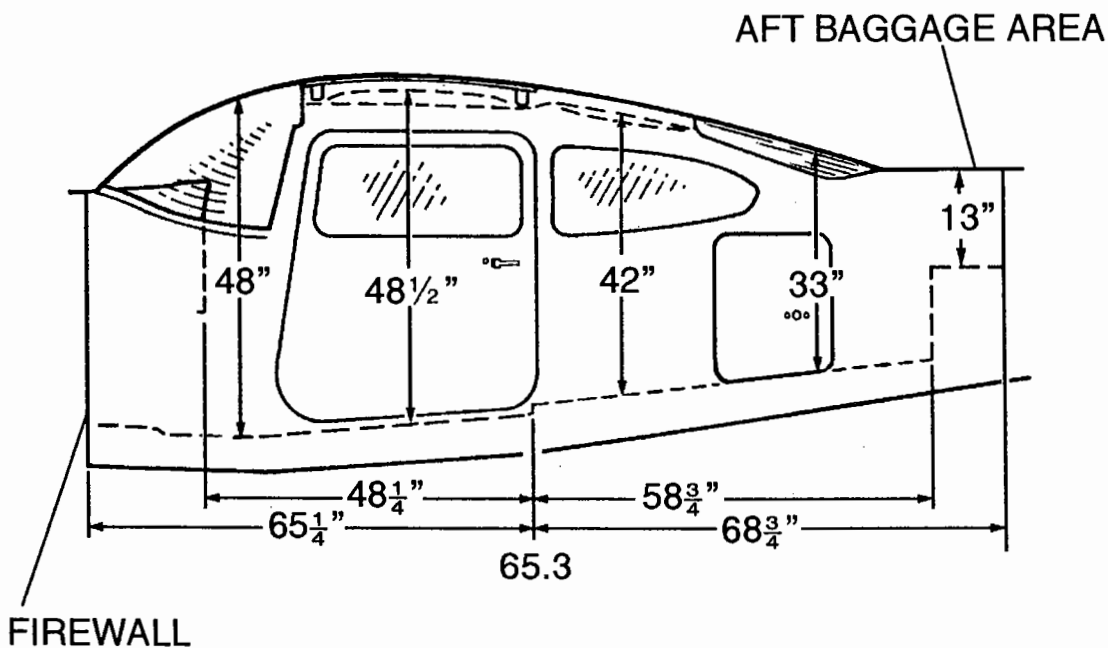
- NOTES:
1. The usable fuel C.G. arm is located at station 46.5
 2. The aft baggage wall (approximate station 134) can be used as a convenient interior reference point for determining the location of baggage area fuselage stations.

07851021

Figure 6-3. Loading Arrangements



CABIN HEIGHT MEASUREMENTS

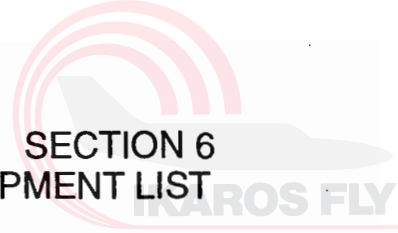


DOOR OPENING DIMENSIONS

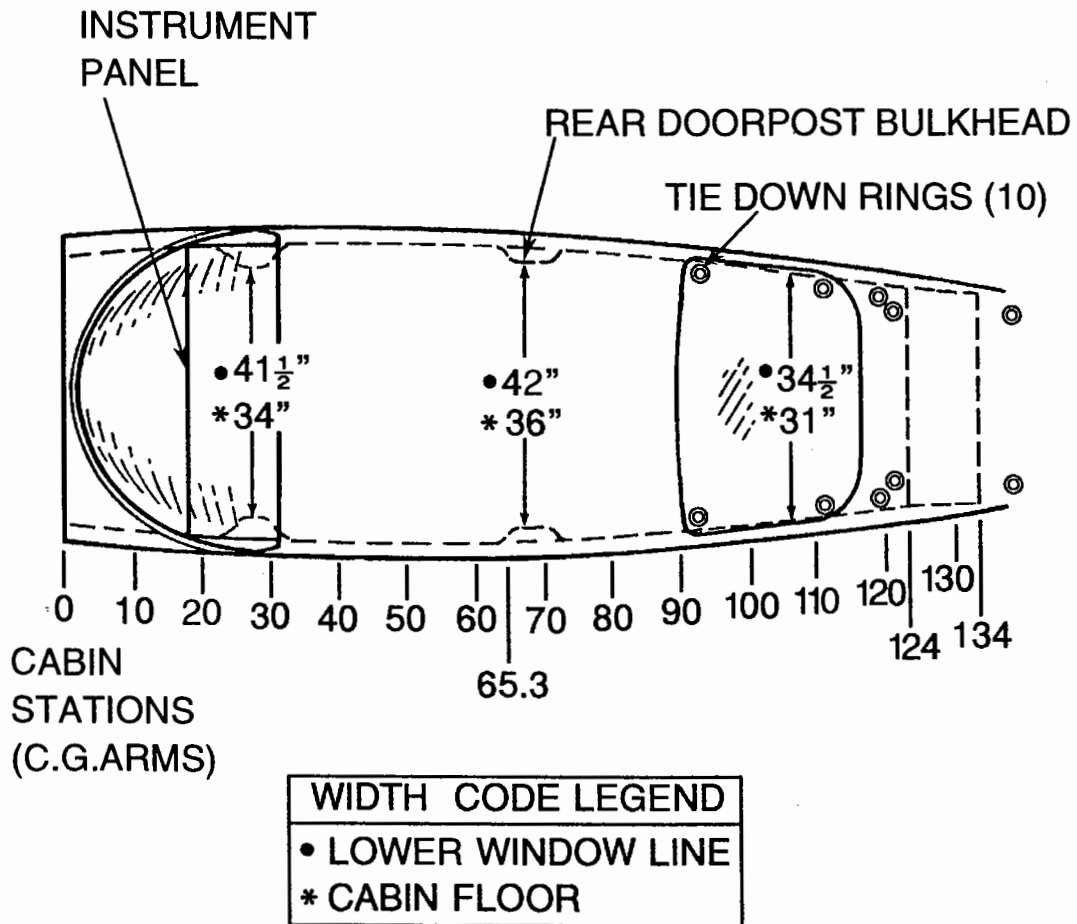
	WIDTH (TOP)	WIDTH (BOTTOM)	HEIGHT (FRONT)	HEIGHT (REAR)
CABIN DOORS	32"	36 1/2"	41"	38 1/2"
BAGGAGE DOOR	15 3/4"	15 3/4"	22"	20 1/2"

07851019

Figure 6-4. Internal Cabin Dimensions (Sheet 1 of 2)



CABIN WIDTH MEASUREMENTS



07851020

Figure 6-4. Internal Cabin Dimensions (Sheet 2 of 2)

SECTION 6
WEIGHT & BALANCE / EQUIPMENT LIST

CESSNA
MODEL 182T



ITEM DESCRIPTION	WEIGHT AND MOMENT TABULATION			
	SAMPLE AIRPLANE		YOUR AIRPLANE	
	Weight (lbs.)	Moment (Lb-ins. /1000)	Weight (lbs.)	Moment (Lb-ins. /1000)
1. Basic Empty Weight (Use the data pertaining to your airplane as it is presently equipped. Includes unusable fuel and full oil)	1919	70.9		
2. Usable Fuel (At 6 Lbs./Gal.)				
87 Gallons Maximum	528	24.6		
Reduced Fuel (64 Gallons)				
3. Pilot and Front Passenger (Station 32 to 50)	340	12.6		
4. Second Row Passengers	200	14.8		
Cargo Replacing Second Row Seats (Sta. 65 to 82)				
5. *Baggage Area A (Station 82 to 109; 120 Lbs. Max.)	100	9.7		
6. *Baggage Area B (Station 109 to 124; 80 Lbs. Max.)	23	2.7		
7. *Baggage Area C (Station 124 to 134; 80 Lbs. Max.)				
8. RAMP WEIGHT AND MOMENT	3110	135.3		
9. Fuel allowance for engine start, taxi and runup	-10	-0.5		
10. TAKEOFF WEIGHT AND MOMENT (Subtract Step 9 from Step 8)	3100	134.8		
<p>11. Locate this point (3100 at 134.8) on the Center of Gravity Moment Envelope, and since this point falls within the envelope, the loading is acceptable, providing that flight time is allowed for fuel burn-off to a maximum of 2950 pounds before landing.</p> <p>* The maximum allowable combined weight capacity for baggage in areas A, B and C is 200 pounds. The maximum allowable combined weight capacity in areas B and C is 80 pounds.</p>				

Figure 6-5. Sample Loading Problem (Sheet 1 of 2)



CAM Aviation A/S

CAM Aviation A/S - Copenhagen Airport Roskilde - DK 4000 - Denmark
 Phone + 45 46 19 11 11 - Fax + 45 46 19 00 29 - E-mail:ca@eph-avionics.dk, www.hawkerbeechcraft.dk




Weight and Balance Record.

A/C Reg: OY-CSI	A/C Type: C182T	A/C Ser. No. 81060	Place: EKRK	Date: 21-05-2010	CAM WO: 25364	
A/C Owner:		E G AVIATION				
Empty Weight:		1.937,86 lbs	Center of Gravity:		36,57 inch.	
Date	Item		Description of item:	Weight / Moment change :		
	In	Out		Weight lbs	FSTA inch.	Moment lbs inch.
20-05-10		X	Txp KT76C S/N13434	-2,20	11,02	(24,24)
20-05-10	X		Txp VT-02 Modes S/N1236	2,09	11,02	23,03
Total added / Removed weight				(0,11)		
Total added / Removed moment						(1,21)
New Empty Weight =				1.937,75	lbs	
New center of gravity =				36,57	inch.	
New Empty Weight :		1.937,75 lbs	New center of gravity :		36,57 inch.	

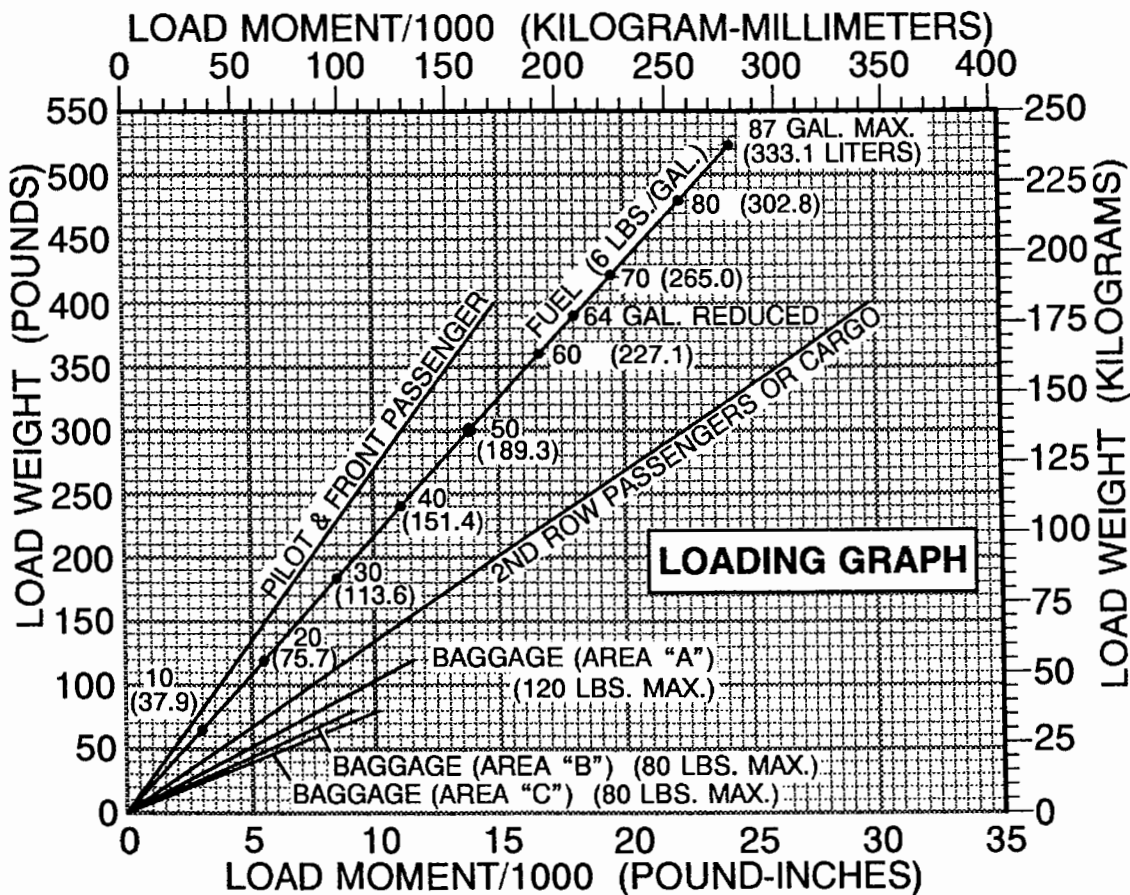
Weighing performed with XX ballast plates (125 lbs) installed in (nose baggage compartment.)

21/5-10
Date

[Signature]
Inspector


Stamp

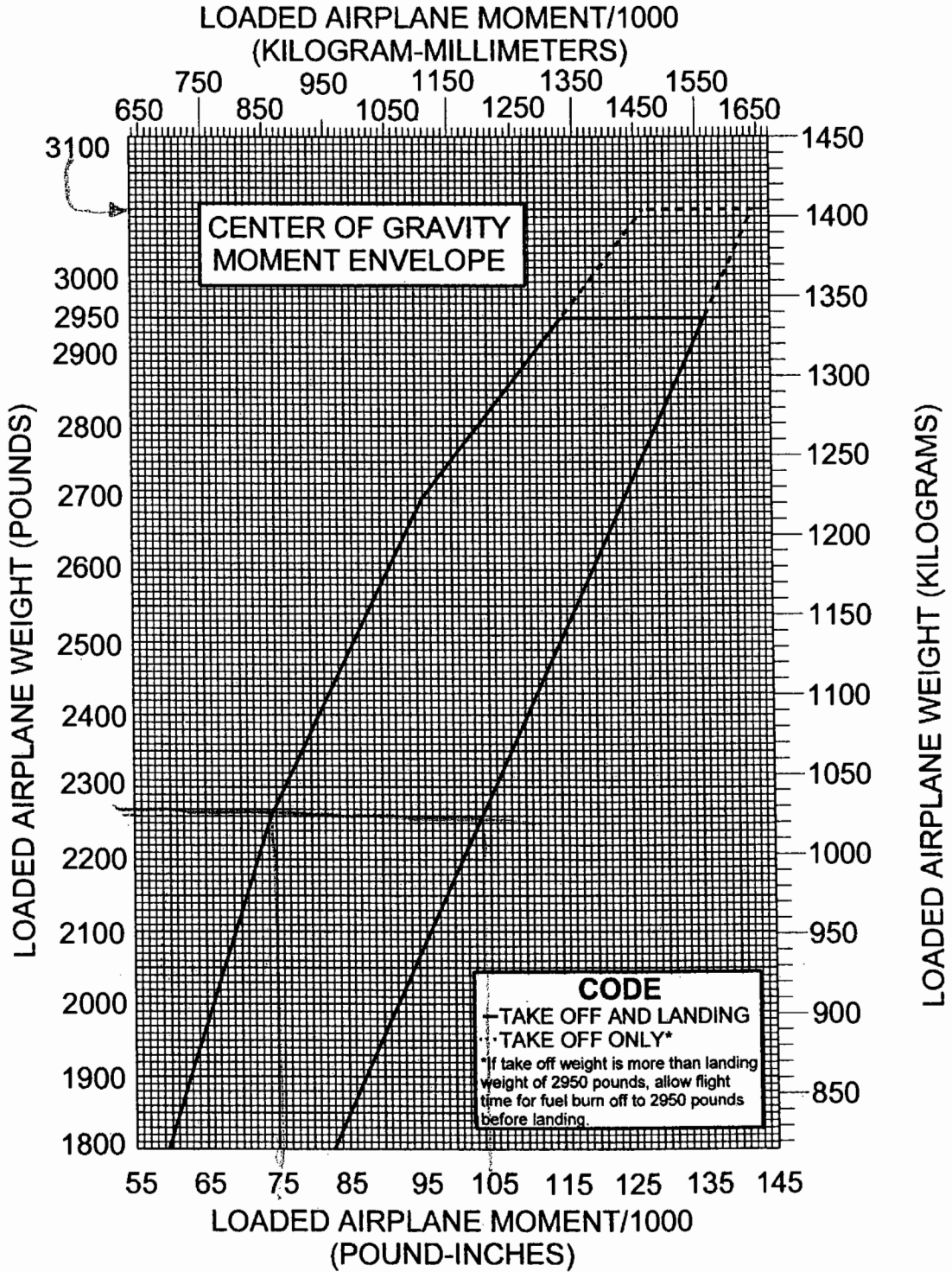
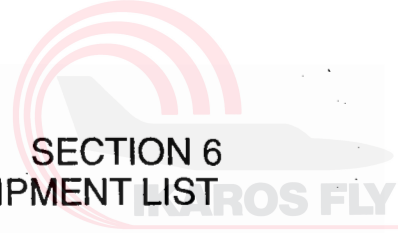
NOTE! ALWAYS CHECK AIRCRAFT DOCUMENT FOLDER FOR LATEST W&B RECORD!



NOTE: Line representing adjustable seats shows pilot and front seat passenger center of gravity on adjustable seats positioned for an average occupant. Refer to the Loading Arrangements diagram for forward and aft limits of occupant C.G. range.

0785C1008

Figure 6-6. Loading Graph

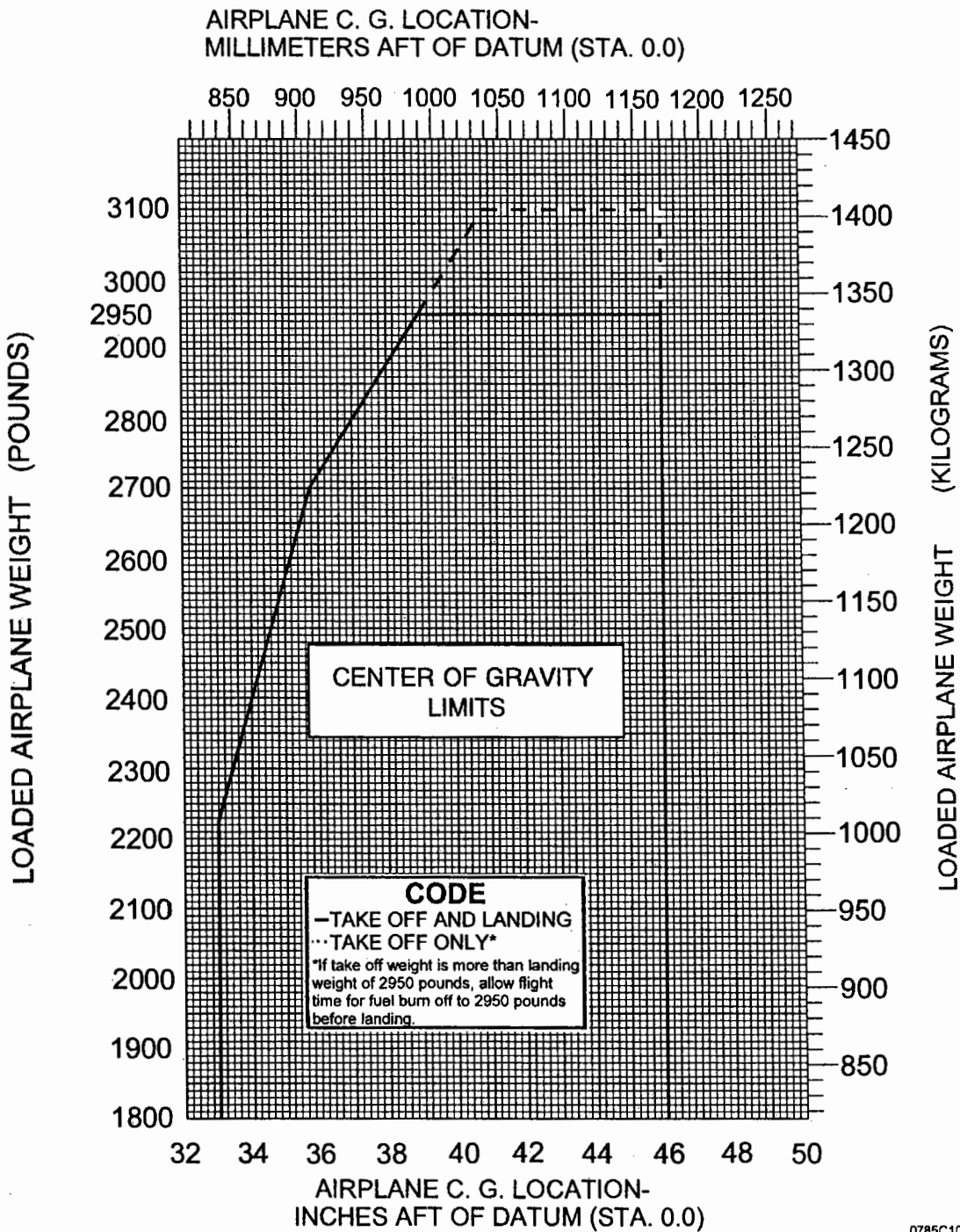


0785C1009

Figure 6-7. Center of Gravity Moment Envelope

SECTION 6
WEIGHT & BALANCE / EQUIPMENT LIST

CESSNA
MODEL 182T



0785C1010

0785C1010

Figure 6-8. Center of Gravity Limits

COMPREHENSIVE EQUIPMENT LIST

The following figure (Figure 6-9) is a comprehensive list of all Cessna equipment which is available for the Model 182T airplane. This comprehensive equipment list provides the following information in column form:

In the **ITEM NO** column, each item is assigned a coded number. The first two digits of the code represent the assignment of the item within the Air Transport Association Specification 100 breakdown (11 for Paint and Placards; 24 for Electrical Power; 77 for Engine Indicating, etc...). These assignments also correspond to the Maintenance Manual chapter breakdown for the airplane. After the first two digits (and hyphen), items receive a unique sequence number (01, 02, 03, etc...). After the sequence number (and hyphen), a suffix letter is assigned to identify equipment as a required item, a standard item or an optional item. Suffix letters are as follows:

- R = required items or equipment for FAA certification
- S = standard equipment items
- O = optional equipment items replacing required or standard items
- A = optional equipment items which are in addition to required or standard items

In the **EQUIPMENT LIST DESCRIPTION** column, each item is assigned a descriptive name to help identify its function.

In the **REF DRAWING** column, a Cessna drawing number is provided which corresponds to the item.

NOTE

If additional equipment is to be installed, it must be done in accordance with the reference drawing, service bulletin or a separate FAA approval.

In the **WT LBS** and **ARM INS** columns, information is provided on the weight (in pounds) and arm (in inches) of the equipment item.

NOTES

Unless otherwise indicated, true values (not net change values) for the weight and arm are shown. Positive arms are distances aft of the airplane datum; negative arms are distances forward of the datum.

Asterisks (*) in the weight and arm column indicate complete assembly installations. Some major components of the assembly are listed on the lines immediately following. The sum of these major components does not necessarily equal the complete assembly installation.

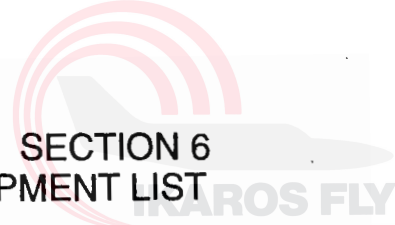
SECTION 6
WEIGHT & BALANCE / EQUIPMENT LIST

CESSNA
MODEL 182T



ITEM NO	EQUIPMENT LIST DESCRIPTION	REF DRAWING	WT LBS	ARM INS.
11 - PAINT AND PLACARDS				
11-01-S	CORROSION PROOFING, INTERNAL		20.1	70.0
11-02-S	PAINT, OVERALL EXTERIOR	0719028-1	18.8	91.5
11-03-O	EXTERIOR STYLING - 182T OPTION 1	0719028-2	19.6*	92.9*
	- OVERALL WHITE		18.8	91.5
	- COLORED STRIPE DECALS (BLUE/GREEN)		0.8	135.9
11-04-O	EXTERIOR STYLING - 182T OPTION 2	0719028-3	19.6*	92.9*
	- OVERALL WHITE		18.8	91.5
	- COLORED STRIPE DECALS (RED/GRAY)		0.8	135.9
11-05-S	IFR DAY & NIGHT LIMITATIONS PLACARD	0505087-24	0.0	17.3
22 - AUTO FLIGHT				
22-01-S	DUAL AXIS AUTOPILOT, KAP 140	3900029	20.0*	106.7*
	- KC 140 DUAL AXIS COMPUTER WITH ALTITUDE PRE - SELECT	065-00176-7702	2.6	12.0
	- KS-270C PITCH SERVO INSTALLATION	3940431-1	4.2	171.3
	- KS-272C PITCH TRIM SERVO INSTALLATION	0701146-1	4.1	180.8
	- KS 271C ROLL SERVO INSTALLATION	3940432-1	3.6	54.2
	- CABLE ASSY, ROLL SERVO	3924137-2	0.7	66.0
	- CABLE ASSY, KC 140 AUTOPILOT	3924132-1	4.7	85.1
	- KMC 100 CONFIGURATION MODULE	071-00073-5000	0.1	12.0
23 - COMMUNICATIONS				
23-01-S	STATIC DISCHARGE WICKS, SET OF 10	1201131-2	0.3	152.9
23-02-S	NAV/COM #1 INSTALLATION	3900029	10.4*	83.4*
	- KX 155A NAV/COM with GS	066-01032-0101	4.0	12.4
	- KI 209A CDI INDICATOR	066-03056-0011	1.2	13.9
	- CI 248 VHF COMM ANTENNA #1	3960113-11	0.5	63.3
	- NAV ANTENNA AND CABLE INSTALLATION	3900029	2.8	239.4
23-03-A	NAV/COM #2 INSTALLATION	3900030	6.8*	17.3*
	- KX 155A NAV/COM no GS	066-01032-0101	4.0	12.4
	- KI 209 CDI INDICATOR	066-03056-0003	1.2	13.9
	- CI248A VHF COMM ANTENNA #2	3960113-10	0.5	63.3
	- ANTENNA COUPLER	S2474-1	0.2	12.0
	- CABLE ASSEMBLY	3921141-1	0.9	18.9
23-04-S	AUDIO/INTERCOM/MARKER BEACON INSTL	3900029	5.9*	49.7*
	- KMA 28 AUDIO PANEL	066-01176-0101	1.5	14.4
	- MARKER BEACON ANTENNA CI-102	3960193-2	0.5	131.5
	- HARDWARE AND CABLE ASSEMBLY	3921135-1	3.9	52.8
24 - ELECTRICAL POWER				
24-01-R	ALTERNATOR, 28 VOLT,60 AMP	9910591-11	10.0	-33.4

Figure 6-9. Equipment List Description (Sheet 1 of 7)



ITEM NO	EQUIPMENT LIST DESCRIPTION	REF DRAWING	WT LBS	ARM INS.
24-02-R	BATTERY, 24 VOLT, 12.75 A.H. MANIFOLD TYPE	C614002-0101	23.2	132.1
24-03-R	POWER JUNCTION BOX (PRECISION AIRMOTIVE CORP. MC01-2A) INCLUDES:		6.4*	-2.5*
	- ALTERNATOR CONTROL UNIT ACC2101		0.2	-2.5
	- MASTER CONTACTOR X61-0007		0.7	-2.5
	- STARTER CONTACTOR X61-0012		0.7	-2.5
	- AMMETER TRANSDUCER		0.1	-2.0
24-04-S	BASIC AVIONICS KIT INSTALLATION	3900029	3.9*	23.2*
	- SUPPORT STRAPS INSTALLATION	3930463	0.1	10.0
	- AVIONICS COOLING FAN INSTL	3940406-1	1.2	3.0
	- AVIONICS GROUND INSTALLATIONS	3940358-1,-4	0.1	41.0
	- CIRCUIT BREAKER PANEL INSTL	3930340	0.5	16.5
	- MICROPHONE INSTL	3970139-3	0.3	18.5
	- CABIN SPEAKER	C596504-0101	1.7	40.0
	25 - EQUIPMENT/FURNISHINGS			
25-01-R	SEAT, PILOT, ADJUSTABLE, CLOTH/VINYL COVER	0719012-1	33.8	41.5
25-02-O	SEAT, PILOT, ADJ., LEATHER/VINYL COVER	0719031-1	34.3	41.5
25-03-S	SEAT, FRONT PASSENGER, ADJUSTABLE, CLOTH/VINYL COVER	0719012-2	33.8	41.5
25-04-O	SEAT, FRONT PASSENGER, ADJUSTABLE, LEATHER/VINYL COVER	0719031-2	34.3	41.5
25-05-S	SEAT, REAR, TWO PIECE BACK, CLOTH/VINYL COVER	0719034-1	50.0	82.0
25-06-O	SEAT, REAR, TWO PIECE BACK, LEATHER/VINYL COVER	0719037-1	51.0	82.0
25-07-R	SEAT BELT AND SHOULDER HARNESS, INERTIA REEL, PILOT AND FRONT PASSENGER	0719042-1	5.2	50.3
25-08-O	SEAT BELT AND SHOULDER HARNESS, MANUAL ADJUST., PILOT AND FRONT PASSENGER	0719042	4.0	50.3
25-09-S	SEAT BELT AND SHOULDER HARNESS, INERTIA REEL, REAR SEAT	0719042-1	5.2	87.8
25-10-O	SEAT BELT AND SHOULDER HARNESS, MANUAL ADJUST., REAR SEAT	0719042	4.0	87.8
25-11-O	SUN VISOR INSTALLATION -MM 182,SET OF2	0519004-2	1.2	33.0
25-12-S	BAGGAGE RETAINING NET	1215171-2	0.5	108.0
25-13-S	CARGO TIE DOWN RINGS, SET OF 10	1211203-4	0.4	108.0
25-14-S	PILOT'S OPERATING CHECKLIST (STOWED IN INSTRUMENT PANEL MAP CASE)	0700765-2	0.3	15.0
25-15-R	PILOT'S OPERATING HANDBOOK AND FAA APPROVED AIRPLANE FLIGHT MANUAL (STOWED IN PILOT'S SEAT BACK)	0700765-2	1.2	61.5

Figure 6-9. Equipment List Description (Sheet 2 of 7)

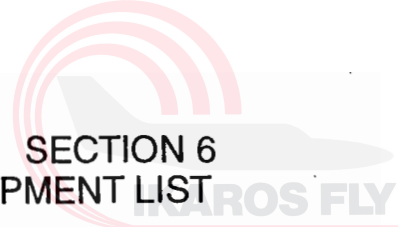
SECTION 6
WEIGHT & BALANCE / EQUIPMENT LIST

CESSNA
MODEL 182T



ITEM NO	EQUIPMENT LIST DESCRIPTION	REF DRAWING	WT LBS	ARM INS.
25-16-S	FUEL SAMPLING CUP	S2107-1	0.1	14.3
25-17-S	TOW BAR, NOSE GEAR (STOWED)	0501019-1	1.7	108.0
25-18-S	EMERGENCY LOCATOR TRANSMITTER INSTL	3940409-1	3.2*	115.7*
	- ELT TRANSMITTER	3000-11	1.9	135.0
	- ANTENNA AND CABLE ASSY	3003-45	0.5	133.0
	- SWITCH AND WIRING	3940409-1	0.8	59.8
	26 - FIRE PROTECTION			
26-01-S	FIRE EXTINGUISHER INSTALLATION	0501011-3	5.3*	29.0*
	- FIRE EXTINGUISHER	C421001-0201	4.8	29.0
	- MOUNTING CLAMP & HARDWARE	1290010-1	0.5	29.0
	27 - FLIGHT CONTROLS			
27-01-S	DUAL CONTROLS INSTL, RIGHT SEAT	0706015-1	5.9*	12.9*
	- CONTROL WHEEL, COPILOT	0713377-4	2.3	26.0
	- RUDDER & BRAKE PEDAL INSTL, COPILOT	0760650-4	3.6	6.8
27-02-A	RUDDER PEDAL EXTENSIONS, REMOVABLE, SET OF 2 STOWED, (INSTALLED ARM SHOWN)	0501082-1	2.9	8.0
	28 - FUEL			
28-01-R	FUEL QUANTITY INDICATORS, LEFT & RIGHT	S3317-3	0.7	16.0
28-02-R	AUXILIARY FUEL PUMP	A8160-D	1.9	-12.0
	31 - INDICATING/RECORDING SYSTEM			
31-01-S	CLOCK and OAT INDICATOR INSTALLATION	M803B-2	0.3*	16.7*
	- TEMPERATURE PROBE	-0/28V-B	0.1	49.0
31-02-S	FLIGHT HOUR RECORDER	C664503-0103	0.5	17.0
31-03-R	ANNUNCIATOR PANEL AND LIGHTS	CSEWCA-01	0.4	19.0
31-04-R	STALL WARNING INDICATOR	0718007-1	1.0	17.5
	32 - LANDING GEAR			
32-01-R	WHEEL BRAKE AND TIRE, 6.00 X 6 MAIN	0741625-5	37.1*	58.6*
	- WHEEL ASSY (EACH)	C163001-0301	7.8	58.9
	- BRAKE ASSY (EACH)	030-05219-1	1.8	55.5
	- TIRE (EACH)	C262003-0204	7.9	58.9
	- TUBE (EACH)	C262023-0102	1.3	58.9
32-02-R	WHEEL AND TIRE ASSY, 5.00 X 5 NOSE	0540000-2	8.8*	-7.1*
	- WHEEL ASSY	1241156-12	2.8	-7.1
	- TIRE	C262003-0202	4.6	-7.1
	- TUBE	C262023-0101	1.4	-7.1
32-03-A	WHEEL FAIRING AND INSTALLATION	0741643-1	16.4*	44.5*
	- NOSE WHEEL FAIRING	0743050-14	3.1	-6.0
	- MAIN WHEEL FAIRINGS, SET OF 2	0741647-1,-2	9.5	60.6

Figure 6-9. Equipment List Description (Sheet 3 of 7)



ITEM NO	EQUIPMENT LIST DESCRIPTION	REF DRAWING	WT LBS	ARM INS.
33 - LIGHTS				
33-01-S	MAP LIGHT IN CONTROL WHEEL	0706015	0.2	21.5
33-02-S	COURTESY LIGHTS UNDER WING	0700615-18	0.7	61.7
33-03-S	NAVIGATION LIGHT DETECTORS	0723205-7	0.0	31.7
33-04-S	FLASHING BEACON ON VERTICAL FIN TIP	0701042-6	0.8	253.1
33-05-S	WING TIP STROBE LIGHT INSTALLATION	0723628	4.5	40.4
33-06-S	LANDING AND TAXI LIGHT INSTALLATION	1221059-7,-8	2.2	26.8
34 - NAVIGATION				
34-01-R	INDICATOR, AIRSPEED	S3325-5	0.7	16.2
34-02-S	ALTERNATE STATIC AIR SOURCE	0701028-4	0.2	15.5
34-03-R	ALTIMETER, SENSITIVE WITH 20 FT. MARKINGS, INCHES OF MERCURY	S3328-1	0.9	15.3
34-04-O	ALTIMETER, SENSITIVE WITH 20 FT. MARKINGS, MILLIBARS	S3371-1	0.9	15.3
34-05-S	BLIND ALTITUDE ENCODER INSTALLATION	3940408-2	0.9	15.0
34-06-R	COMPASS INSTL, MAGNETIC	1213679-5	0.5	18.0
34-07-S	GYRO, INSTALLATION (RQS, 37-01-S)	0706009-1	7.8*	11.0*
	- DIRECTIONAL GYRO INDICATOR	S3330-2	2.8	15.2
	- ATTITUDE GYRO INDICATOR	S3326-1	2.1	14.0
	- HOSE AND MISC HARDWARE	0706009-2	2.9	4.5
34-08-S	TURN COORDINATOR INDICATOR	S3291-1	1.2	15.5
34-09-S	VERTICAL SPEED INDICATOR	S3327-1	0.7	15.3
34-10-A	ADF INSTALLATION	3900030	9.1*	26.1*
	- KR-87 ADF RECEIVER	066-01072-0014	3.2	12.4
	- KI 227 ADF INDICATOR	066-03063-0000	0.7	13.9
	- ADF ANTENNA	3960192-1	4.2	39.6
	- ADF CABLE ASSEMBLY	3922105-1	1.0	22.0
34-11-A	GPS INSTALLATION	3900030	5.0*	16.3*
	- KLN 94 GPS RECEIVER	069-01034-0101	3.7	12.6
	- GPS ANTENNA	3960194-1	0.3	43.4
	- GPS CABLE ASSEMBLY	3928113-1	1.0	21.8
34-12-S	MODE C TRANSPONDER INSTL	3900029-1	3.4*	20.3*
	- KT 76C TRANSPONDER	066-01156-0101	2.4	12.7
	- TRANSPONDER ANTENNA - CI - 105	3960195-1	0.2	86.5
	- CABLE ASSEMBLY	3923112-1	0.8	26.2
34-13-A	- MULTI-FUNCTION DISPLAY INSTALLATION	3900030	6.1*	12.7*
	- KMD 550 DISPLAY	3910310-20	5.1	12.7
	- CABLE ASSY AND MOUNTING HARDWARE	3927100-1	1.0	12.7
34-14-A	HORIZONTAL SITUATION INDICATOR (NET CHANGE)	3900031	13.6*	98.5*
	- GYRO SLAVING METER	071-01242-0006	0.3	16.0
	- FLUX DETECTOR INSTL (IN LH WING)	3940362	0.6	52.6
	- KI 209 NAV INDICATOR REMOVED		-1.2	13.9

Figure 6-9. Equipment List Description (Sheet 4 of 7)

SECTION 6
WEIGHT & BALANCE / EQUIPMENT LIST

CESSNA
MODEL 182T



ITEM NO	EQUIPMENT LIST DESCRIPTION	REF DRAWING	WT LBS	ARM INS.
34-15-A	- NAV CONVERTER INSTL	3940361	1.3	131.0
	- SLAVED GYRO FOR HSI (IN TAILCONE)	3940363-1	5.1	136.8
	- GYRO SYSTEM FOR HSI	0706011-1	12.0	1.9
	- STD GYRO SYSTEM REMOVED		-15.6	4.5
	- WIRING FOR HSI		7.6	58.1
	- HSI INDICATOR	066-03046-0007	3.4	14.1
	STORMSCOPE INSTALLATION	3900031	5.5*	119.5*
	- WX 500 STORMSCOPE PROCESSOR	805-11500-001	1.9	132.0
	- MOUNTING TRAY AND HARDWARE	817-11500-001	0.7	136.0
	- STORMSCOPE ANTENNA	805-10930-001	0.8	184.0
- ANTENNA CABLE AND WIRING	3927101-1	2.1	78.0	
37 - VACUUM				
37-01-S	DUAL VACUUM SYSTEM, ENGINE DRIVEN	0706009-2	6.7*	-1.5*
	- VACUUM PUMP, AIRBORNE 215CC	E215CC	2.1	-5.0
	- VACUUM PUMP, AIRBORNE 216CW	E216CW	2.1	-5.0
	- COOLING SHROUDS (2)	1201998-1	0.3	-5.6
	- FILTER INSTALLATION	1201075-2	0.3	12.5
	- VACUUM RELIEF VALVE	2H3-48	0.5	2.1
	- MANIFOLD	1H5-25	0.5	-3.0
	- VACUUM GAUGE/AMMETER	S3280-1	0.6	15.6
53 - FUSELAGE				
53-01-S	REFUELING STEPS AND HANDLE INSTL	0701127-1	1.7	15.2
53-02-A	AIRCRAFT HOISTING RINGS, SET OF 4	0700612-1	1.5	45.6
53-03-A	STABILIZER ABRASION BOOTS, SET OF 2	0500041-3	0.6	206.0
53-04-A	TOW HOOK KIT (INSTALLED ARM SHOWN)	0712643-1	0.6*	230.0*
	- TOW HOOK, SCHWEIZER ID-112-15	0500228-2	0.5	232.0
	- NYLON RELEASE CORD, 18 FEET LONG	0500228-3	0.0	160.0
56 - WINDOWS				
56-01-S	WINDOW, HINGED RIGHT DOOR	0711050-48	5.8	47.8
56-02-S	WINDOW, HINGED LEFT DOOR	0711050-47	5.8	47.8
61 - PROPELLER				
61-01-R	PROPELLER ASSEMBLY, 3-BLADE MCCAULEY B3D36C431/80VSA-1	P4317296-01	76.6	-47.5
61-02-R	SPINNER INSTALLATION, 3-BLADE	D-7261-2	4.1	-49.9
61-03-R	GOVERNOR, PROPELLER	C161031-0119	2.7	-42.5
71 - POWERPLANT				
71-01-R	AIR INTAKE FILTER, DONALDSON	P106150	1.3	-35.2
71-02-A	WINTER KIT INSTL. (INSTALLED ARM SHOWN)	0752733-1	1.2	-42.0
72 - ENGINES				
72-01-R	ENGINE, LYCOMING IO-540 AB1A59544	0750635-1	400.4*	-23.6*

Figure 6-9. Equipment List Description (Sheet 5 of 7)

ITEM NO	EQUIPMENT LIST DESCRIPTION	REF DRAWING	WT LBS	ARM INS.
	73 - ENGINE FUEL and CONTROL			
77-02-R	MANIFOLD PRESSURE & FUEL FLOW	S3304-1	1.0	15.0
	77 - ENGINE INDICATING			
77-01-R	TACHOMETER INSTALLATION, RECORDING	S3329-4	1.0	16.2
73-02-S	EGT and CYLINDER HEAD TEMP INDICATOR	S3305-4	0.8	14.5
	78 - EXHAUST			
78-01-R	EXHAUST SYSTEM INSTALLATION	9954200	16.8*	-24.2*
	- LEFT EXHAUST SYSTEM	9954200-13	8.4	-24.2
	- RIGHT EXHAUST SYSTEM	9954200-14	8.4	-24.2
	79 - OIL			
79-01-R	OIL COOLER INSTALLATION, STEWART WARNER	10610R	5.5	-11.4
79-02-R	OIL PRESSURE AND TEMPERATURE IND.	S3279-1	0.8	14.5
	98 - AVIONICS PACKAGE OPTIONS			
98-01-S	STANDARD AVIONICS PACKAGE	3900029-1	46.8*	81.6*
	- 22-01-S KAP 140 DUAL AXIS AUTOPILOT		20.0	106.7
	- 23-02-S KX 155A NAV/COM WITH GLIDE SLOPE		10.4	83.4
	- 23-04-S KMA 28 AUDIO/INTERCOM/MARKER BEACON INSTALLATION		5.9	49.7
	- BASIC AVIONICS KIT INSTL.		3.9	23.2
	- 25-18-S ELT INSTALLATION		3.2	115.7
	- 34-12-S KT 76C MODE C TRANSPONDER		3.4	20.3
98-02-A	NAV 1 AVIONICS PACKAGE (STANDARD AVIONICS PACKAGE PLUS THE FOLLOWING), NET CHANGE	3900030-1	18.3*	15.5*
	- 23-03-A KX 155A NAV/COM WITH GLIDE SLOPE		6.8	17.3
	- 34-10-A KLN 94 GPS INSTALLATION		5.0	16.3
	- 34-13-A KMD 550 MFD INSTALLATION		6.1	12.7
	- CIRCUIT BREAKER PANEL EXCHANGE		0.2	16.5
	MD41-231 NAV/GPS SWITCH INSTALLATION		0.2	16.5
98-03-A	NAV 1 PACKAGE WITH ADF, NET CHANGE OVER STANDARD PACKAGE SHOWN	3900030-3	27.6*	19.0*
	- 34-10-A ADF INSTALLATION		9.1	26.1
	- CIRCUIT BRKR PNL EXCHNG (CHNG OVER NAV 1)		0.2	16.5

Figure 6-9. Equipment List Description (Sheet 6 of 7)

SECTION 6
WEIGHT & BALANCE / EQUIPMENT LIST

CESSNA
MODEL 182T



ITEM NO	EQUIPMENT LIST DESCRIPTION	REF DRAWING	WT LBS	ARM INS.
98-04-A	NAV 2 AVIONICS PACKAGE (NAV 1 PACKAGE PLUS THE FOLLOWING), NET CHANGE OVER STANDARD	3900031-1	38.6*	59.5*
	- 34-13-A STORMSCOPE INSTALLATION		5.5	119.5
	- 34-14-A HSI INSTALLATION	3900008-1	13.6	98.5
	- CIRCUIT BRKR PNL EXCHNG (CHNG OVER NAV 1)		0.4	16.5
	- MD41-233 (EXCHANGE FOR MD41-231 IN NAV 1)		0.0	16.5
	MD41-24 REMOTE RELAY		0.8	16.5
98-05-A	NAV 2 PACKAGE WITH ADF, NET CHANGE OVER STANDARD PACKAGE SHOWN	3900031-3	47.9*	53.0*
	- 34-10-A ADF INSTALLATION		9.1	26.1
	- CIRCUIT BRKR PNL EXCHNG (CHNG OVER NAV 2)		0.2	16.5

Figure 6-9. Equipment List Description (Sheet 6 of 6)



SECTION 7 AIRPLANE & SYSTEMS DESCRIPTION

TABLE OF CONTENTS

	Page
Introduction	7-5
Airframe	7-5
Flight Controls	7-6
Trim System	7-6
Instrument Panel	7-6
Pilot Side Panel Layout	7-9
Center Panel Layout	7-9
Copilot Panel Layout	7-12
Center Pedestal Layout	7-12
Ground Control	7-12
Wing Flap System	7-13
Landing Gear System	7-14
Baggage Compartment	7-14
Seats	7-14
Integrated Seat Belt/Shoulder Harness	7-15
Entrance Doors And Cabin Windows	7-17
Control Locks	7-18
Engine	7-19
Engine Controls	7-19
Engine Instruments	7-20
New Engine Break In And Operation	7-22
Engine Lubrication System	7-22
Ignition And Starter System	7-23
Air Induction System	7-23
Fuel Injection System	7-24
Exhaust System	7-24



TABLE OF CONTENTS (Continued)

	Page
Cooling System	7-24
Propeller	7-25
Fuel System	7-26
Fuel Distribution	7-27
Fuel Indicating System	7-27
Auxiliary Fuel Pump Operation	7-29
Fuel Return System	7-30
Fuel Venting	7-30
Fuel Selector Valve	7-32
Fuel Drain Valves	7-32
Brake System	7-32
Electrical System	7-33
Annunciator Panel	7-33
Master Switch	7-36
Avionics Master Switch	7-37
Ammeter	7-38
Low Voltage Annunciation	7-38
Circuit Breakers And Fuses	7-39
Ground Service Plug Receptacle	7-39
Lighting Systems	7-40
Exterior Lighting	7-40
Interior Lighting	7-41
Cabin Heating, Ventilating And Defrosting System	7-42
Pitot-Static System And Instruments	7-43
Airspeed Indicator	7-45
Vertical Speed Indicator	7-46
Altimeter	7-46



TABLE OF CONTENTS (Continued)

	Page
Vacuum System And Instruments	7-46
Attitude Indicator	7-46
Directional Indicator	7-47
Vacuum Gauge	7-47
Low Vacuum Annunciation	7-47
Clock/O.A.T. Indicator	7-49
Stall Warning System	7-49
Standard Avionics	7-50
Avionics Support Equipment	7-50
Avionics Cooling Fan	7-50
Microphone And Headset Installations	7-50
Auxiliary Audio Input Jack	7-51
Power Converter	7-51
Static Dischargers	7-52
Cabin Features	7-52
Emergency Locator Transmitter	7-52
Cabin Fire Extinguisher	7-52



INTRODUCTION

This section provides description and operation of the airplane and its systems. Some equipment described herein is optional and may not be installed in the airplane. Refer to the Supplements, Section 9 for details of other optional systems and equipment.

AIRFRAME

The airplane is an all metal, four-place, high wing, single engine airplane equipped with tricycle landing gear and is designed for general utility purposes.

The construction of the fuselage is a conventional formed sheet metal bulkhead, stringer, and skin design referred to as semimonocoque. Major items of structure are the front and rear carry through spars to which the wings are attached, a bulkhead and forgings for main landing gear attachment at the base of the rear door posts, and a bulkhead with attach fittings at the base of the forward door posts for the lower attachment of the wing struts. Four engine mount stringers are also attached to the forward door posts and extend forward to the firewall.

The externally braced wings, containing integral fuel tanks, are constructed of a front and rear spar with formed sheet metal ribs, doublers, and stringers. The entire structure is covered with aluminum skin. The front spars are equipped with wing-to-fuselage and wing-to-strut attach fittings. The aft spars are equipped with wing-to-fuselage attach fittings, and are partial span spars. Conventional hinged ailerons and single slot type flaps are attached to the trailing edge of the wings. The ailerons are constructed of a forward spar containing balance weights, formed sheet metal ribs and "V" type corrugated aluminum skin joined together at the trailing edge. The flaps are constructed basically the same as the ailerons, with the exception of the balance weights and the addition of a formed sheet metal leading edge section.

The empennage (tail assembly) consists of a conventional vertical stabilizer, rudder, horizontal stabilizer, and elevator. The vertical stabilizer consists of a forward and aft spar, formed sheet metal ribs and reinforcements, four skin panels, formed leading edge skins and a dorsal fin.

The rudder is constructed of a forward and aft spar, formed sheet metal ribs and reinforcements, and a wrap-around skin panel. The top of the rudder incorporates a leading edge extension which contains a balance weight.



The horizontal stabilizer is constructed of a forward and aft spar, ribs and stiffeners, center upper and lower skin panels and two , left and two right wrap-around skin panels which also form the leading edges. The horizontal stabilizer also contains the elevator trim tab actuator.

Construction of the elevator consists of formed leading edge skins, a forward spar, ribs, torque tube and bellcrank, left upper and lower "V" type corrugated skins, and right upper and lower "V" type corrugated skins incorporating a trailing edge cut-out for the trim tab. Both elevator tip leading edge extensions incorporate balance weights. The elevator trim tab consists of a spar, rib, and upper and lower "V" type corrugated skins.

FLIGHT CONTROLS

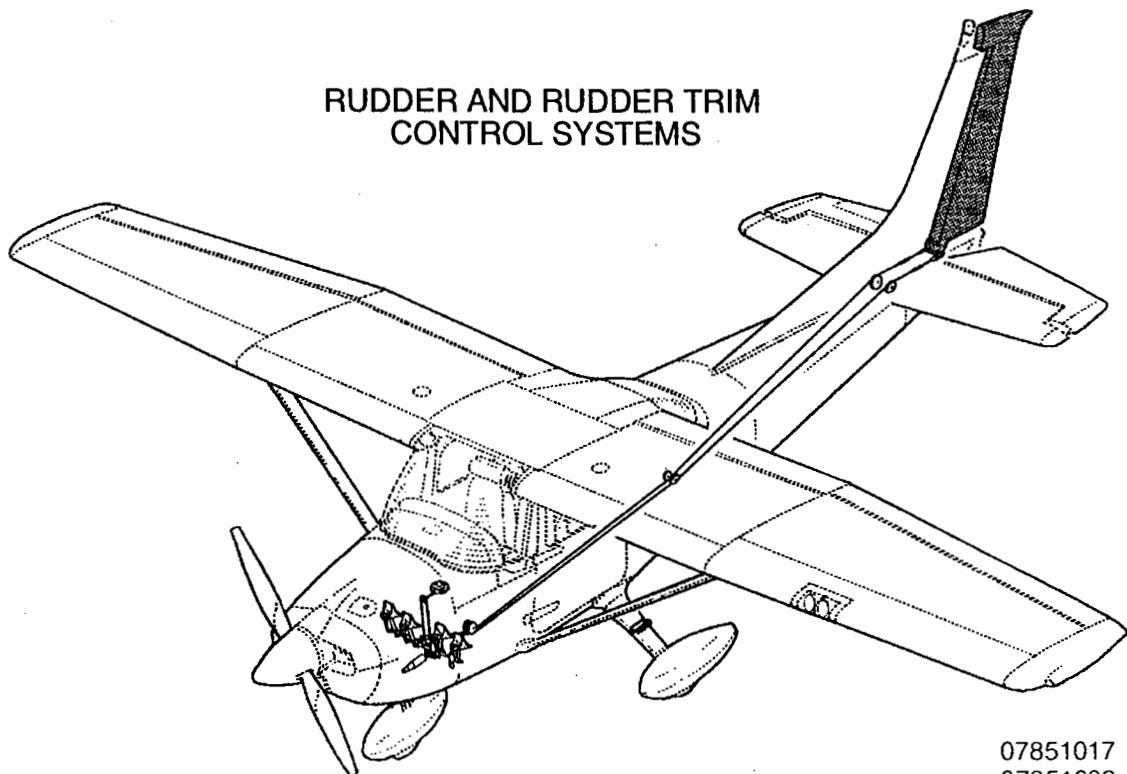
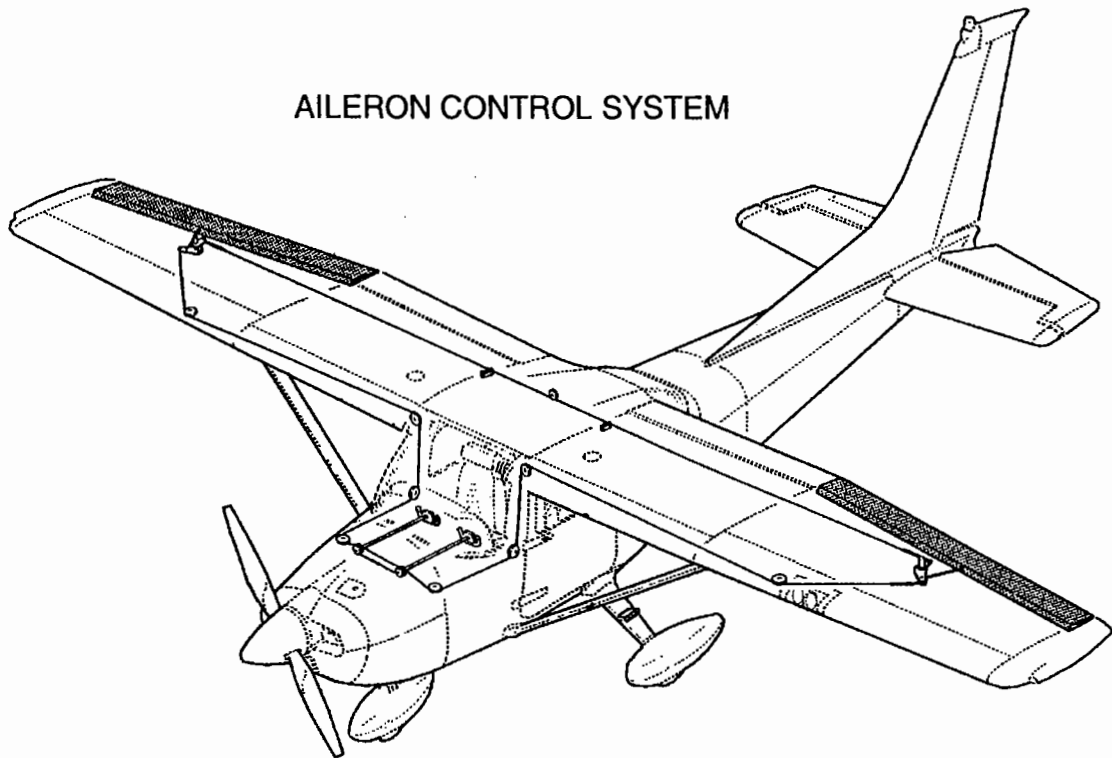
The airplane's flight control system (Refer to Figure 7-1) consists of conventional aileron, rudder, and elevator control surfaces. The control surfaces are manually operated through mechanical linkage using a control wheel for the ailerons and elevator, and rudder/brake pedals for the rudder. The elevator control system is equipped with downsprings which provide improved stability in flight.

TRIM SYSTEMS

A manually-operated rudder and elevator trim is provided (refer to Figure 7-1). Rudder trimming is accomplished through a bungee connected to the rudder control system and a trim control wheel mounted on the control pedestal. Rudder trimming is accomplished by rotating the horizontally mounted trim control wheel either left or right to the desired trim position. Rotating the trim wheel to the right will trim nose-right; conversely, rotating it to the left will trim nose-left. Elevator trimming is accomplished through the elevator trim tab by utilizing the vertically mounted trim control wheel. Forward rotation of the trim wheel will trim nose-down, conversely, aft rotation will trim nose-up.

INSTRUMENT PANEL

The instrument panel (Refer to Figure 7-2) is of all-metal construction, and is designed in segments to allow related groups of instruments, switches and controls to be removed without removing the entire panel. For specific details concerning the instruments, switches, circuit breakers, and controls on the instrument panel, refer to related topics in this section.

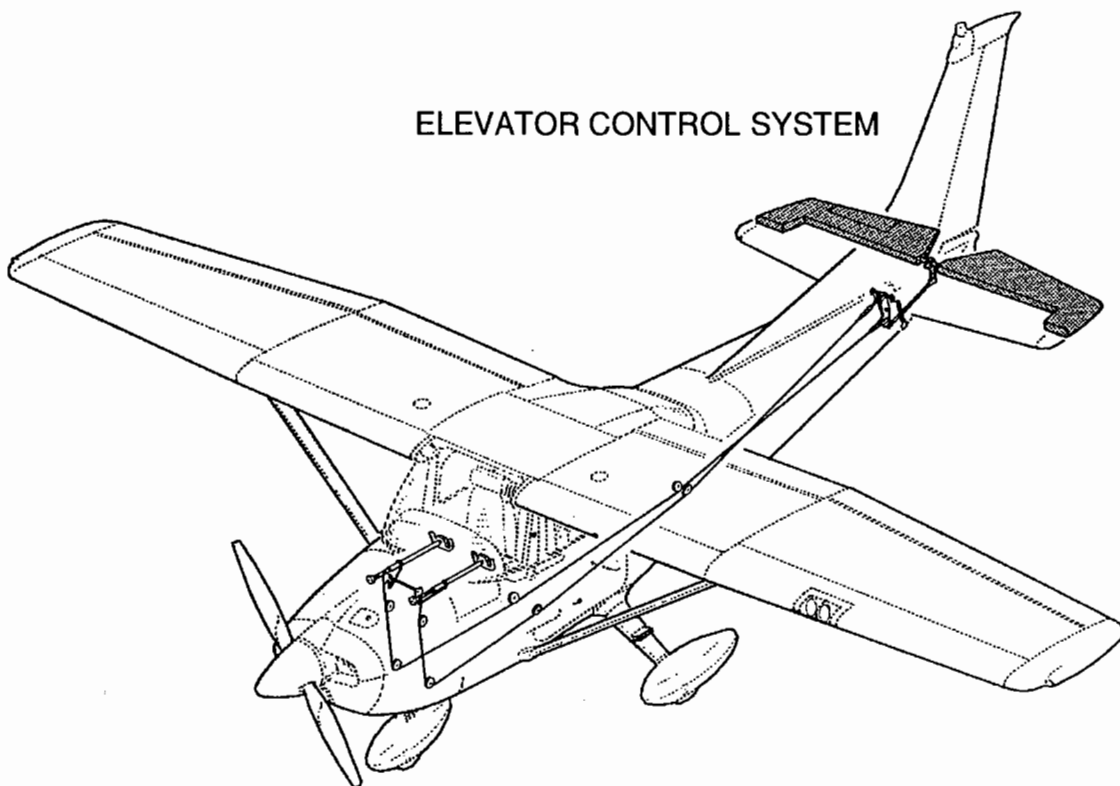


07851017
07851023

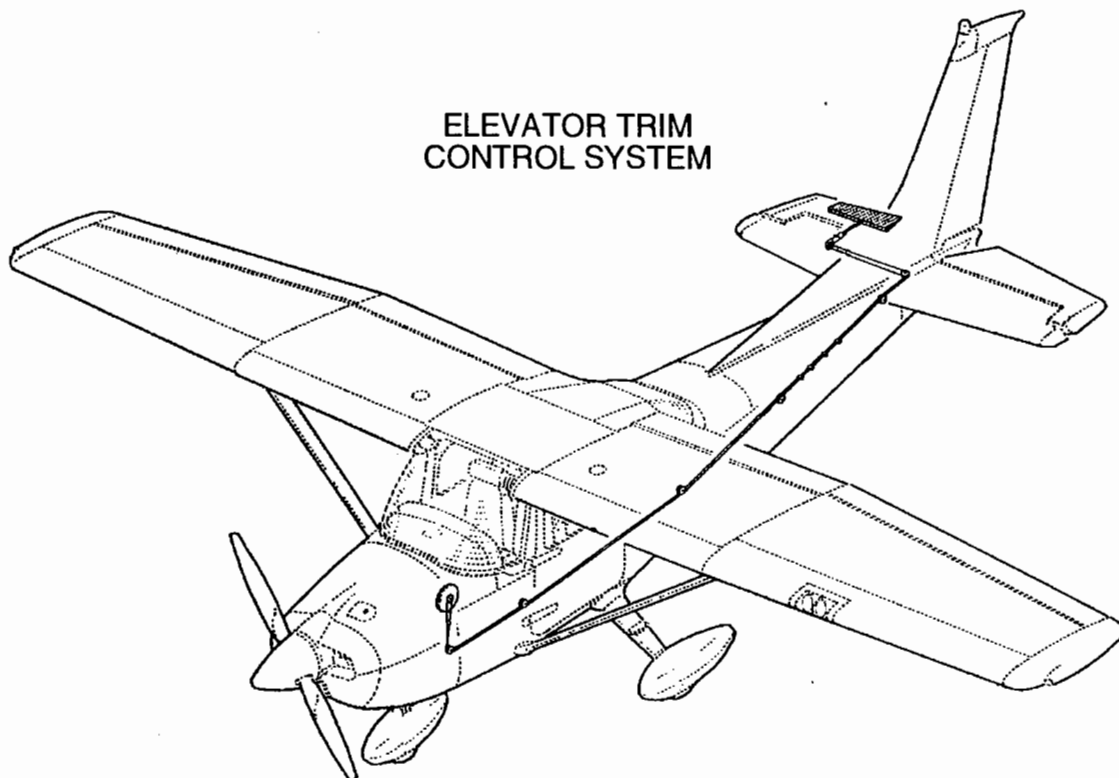
Figure 7-1. Flight Control and Trim Systems (Sheet 1 of 2) 



ELEVATOR CONTROL SYSTEM



ELEVATOR TRIM CONTROL SYSTEM



07851018
07851024

Figure 7-1. Flight Control and Trim Systems (Sheet 2 of 2)



PILOT SIDE PANEL LAYOUT

Flight instruments are contained in a single panel located in front of the pilot. These instruments are designed around the basic "T" configuration. The gyros are located immediately in front of the pilot, and arranged vertically over the control column. The airspeed indicator and altimeter are located to the left and right of the gyros, respectively. The remainder of the flight instruments are clustered around the basic "T".

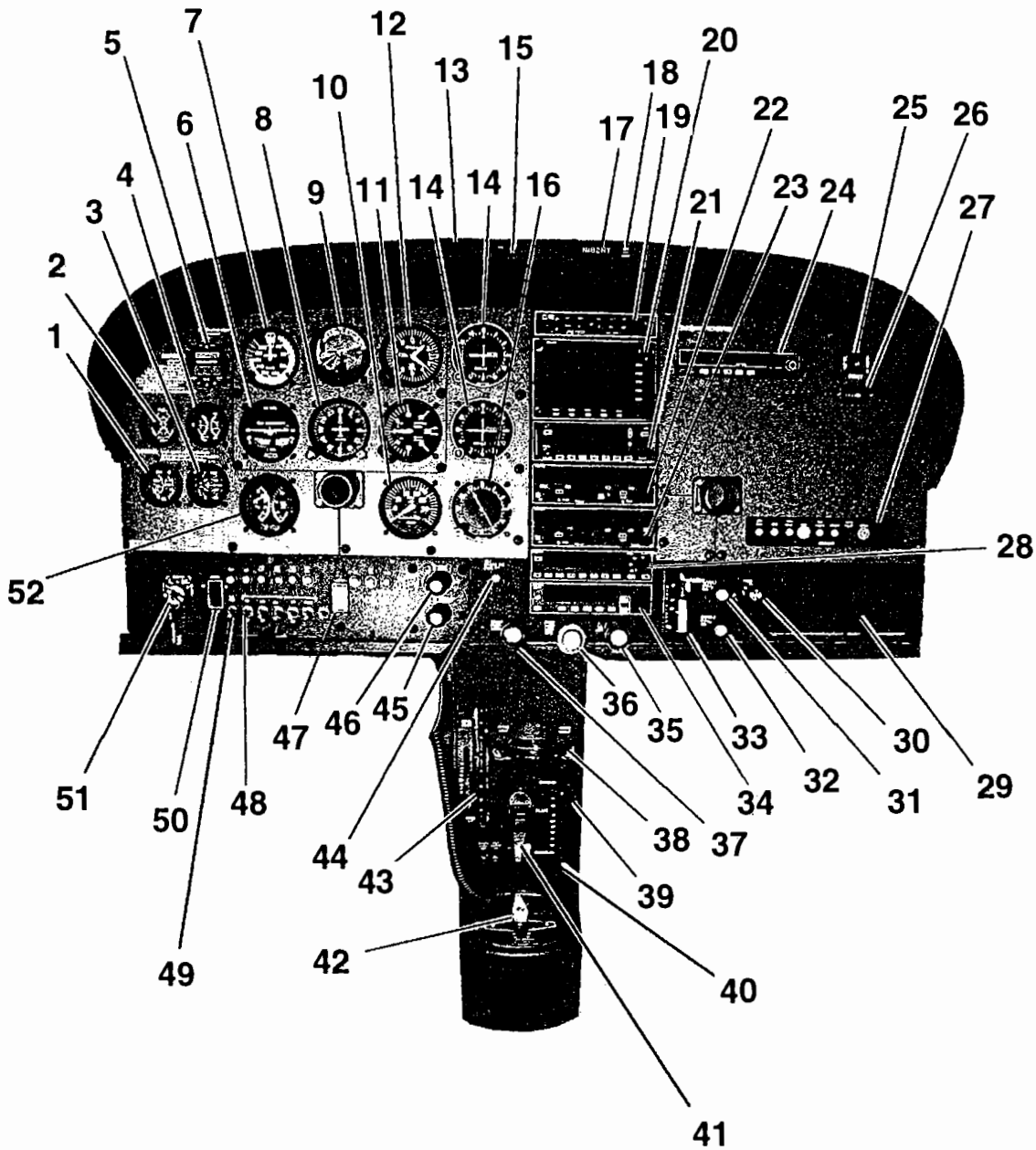
To the right of the flight instruments is a sub panel which contains engine tachometer and various navigational instruments. To the left of the flight instruments is a sub panel which contains a left/right fuel quantity indicator, an oil temperature/oil pressure indicator, a vacuum gauge/ammeter, an EGT/CHT indicator, a digital clock/OAT indicator and manifold pressure gauge/fuel flow indicator.

Below the engine and flight instruments are the circuit breakers and switches used throughout the airplane. MASTER, AVIONICS MASTER, the ignition switches and lighting controls are located in this area of the panel.

CENTER PANEL LAYOUT

The center panel contains various avionics equipment arranged in a vertical rack. This arrangement allows each component to be removed without having to access the backside of the panel. Below the panel are the throttle, prop RPM, mixture, alternate static air.

An annunciator panel is located above the radio stack and provides caution and warning messages for fuel quantity, oil pressure, low vacuum and low voltage situations.



0585C1015

Figure 7-2. Instrument Panel (Sheet 1 of 2)



- | | |
|---|--|
| 1. Oil Temperature and Oil Pressure Indicator | 27. Avionics Circuit Breaker Panel |
| 2. Fuel Quantity Indicators | 28. Transponder |
| 3. Vacuum Gauge/Ammeter | 29. Glove Box |
| 4. T.I.T. and CHT Indicator | 30. Cabin Defrost |
| 5. Digital Clock/OAT Indicator | 31. Cabin Heat |
| 6. Turn Coordinator | 32. Cabin Air |
| 7. Airspeed Indicator | 33. Flap Switch Lever and Flap Switch Position Indicator |
| 8. Directional Indicator | 34. Autopilot Computer |
| 9. Attitude Indicator | 35. Mixture Control |
| 10. Tachometer | 36. Propeller Control |
| 11. Vertical Speed Indicator | 37. Throttle Control |
| 12. Altimeter | 38. Rudder Trim |
| 13. Annunciator Panel | 39. Cowl Flap Control Lever |
| 14. Course Deviation and Glide Slope Indicators | 40. 12 Volt Power Port |
| 15. GPS Annunciator/Switch | 41. Hand Mic |
| 16. ADF Indicator | 42. Fuel Selector |
| 17. Radio Call Panel | 43. Elevator Trim Control |
| 18. Day/Night/Test Switch | 44. Alternate Static Air Control |
| 19. Audio Control Panel | 45. Glareshield and Pedestal Dimming Control |
| 20. Multi-Function Display | 46. Radio Panel Dimming Control |
| 21. GPS Receiver | 47. Avionics Master Switch |
| 22. Nav/Com Radio #1 | 48. Circuit Breakers and Switch/Breakers |
| 23. Nav/Com Radio #2 | 49. Auxiliary Fuel Pump Switch |
| 24. ADF Receiver | 50. Master Switch |
| 25. ELT Remote Switch/Annunciator | 51. Ignition Switch |
| 26. Hour Meter | 52. Manifold Pressure/Fuel Flow Indicator |

Figure 7-2. Instrument Panel (Sheet 2 of 2) 



COPILOT PANEL LAYOUT

The copilot panel contains the hour meter, ELT switch, avionics equipment, avionics circuit breaker, and room for expansion of indicators and other avionics equipment. Below this panel are the glove box, cabin heat, defroster and cabin air controls, and wing flap lever.

CENTER PEDESTAL LAYOUT

The center pedestal, located below the center panel, contains the elevator and rudder trim control wheels and position indicators, and provides a bracket for the microphone. The fuel selector valve handle is located at the base of the pedestal. A parking brake handle is mounted below the switch and control panel in front of the pilot.

GROUND CONTROL

Effective ground control while taxiing is accomplished through nose wheel steering by using the rudder pedals; left rudder pedal to steer left and right rudder pedal to steer right. When a rudder pedal is depressed, a spring loaded steering bungee (which is connected to the nose gear and to the rudder bars) will turn the nose wheel through an arc of approximately 11° each side of center. By applying either left or right brake, the degree of turn may be increased up to 29° each side of center.

Moving the airplane by hand is most easily accomplished by attaching a tow bar to the nose gear strut. If a tow bar is not available, or pushing is required, use the wing struts as push points. Do not use the vertical or horizontal surfaces to move the airplane. If the airplane is to be towed by vehicle, never turn the nose wheel more than 29° either side of center or structural damage to the nose gear could result.

The minimum turning radius of the airplane, using differential braking and nose wheel steering during taxi, is approximately 27 feet. To obtain a minimum radius turn during ground handling, the airplane may be rotated around either main landing gear by pressing down on a tailcone bulkhead just forward of the horizontal stabilizer to raise the nose wheel off the ground. Care should be exercised to ensure that pressure is exerted only on the bulkhead area and not on skin between the bulkheads.



WING FLAP SYSTEM

The single-slot type wing flaps (Refer to Figure 7-3), are extended or retracted by positioning the wing flap switch lever on the instrument panel to the desired flap deflection position. The switch lever is moved up or down in a slotted panel that provides mechanical stops at the 10° and 20° positions. To change flap setting, the flap lever is moved to the right to clear mechanical stops at the 10° and 20° positions. A scale and pointer to the left of the flap switch indicates flap travel in degrees. The wing flap system circuit is protected by a 10-ampere circuit breaker, labeled FLAP, on the left side of the control panel.

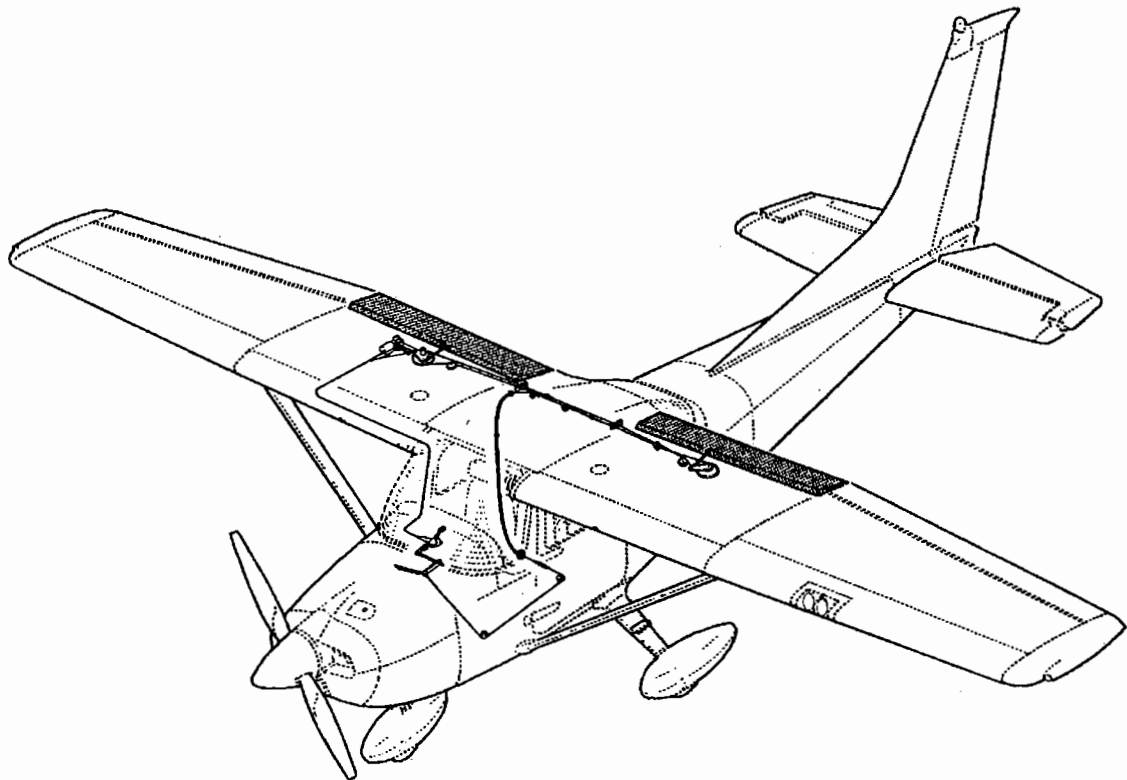


Figure 7-3. Wing Flap System



LANDING GEAR SYSTEM

The landing gear is of the tricycle type, with a steerable nose wheel and two main wheels. Wheel fairings are optional for both the main and nose wheels. Shock absorption is provided by the tubular spring steel main landing gear struts and the air/oil nose gear shock strut. Each main gear wheel is equipped with a hydraulically-actuated disc type brake on the inboard side of each wheel.

BAGGAGE COMPARTMENT

The baggage compartment consists of the area from the back of the rear passenger seats to the aft cabin bulkhead. Access to the baggage compartment is gained through a lockable baggage door on the left side of the airplane, or from within the airplane cabin. A baggage net with tiedown straps is provided for securing baggage and is attached by tying the straps to tiedown rings provided in the airplane. For baggage area and door dimensions, refer to Section 6.

SEATS

The seating arrangement consists of two vertically adjusting crew seats for the pilot and front seat passenger, and an infinitely adjustable split back bench seat for rear seat passengers.

Seats used for the pilot and front seat passenger are adjustable fore and aft, and up and down. Additionally, the angle of the seat back is infinitely adjustable.

Fore and aft adjustment is made using the handle located below the center of the seat frame. To position the seat, lift the handle, slide the seat into position, release the handle and check that the seat is locked in place. To adjust the height of the seat, rotate the large crank under the right hand corner of the seat until a comfortable height is obtained. To adjust the seat back angle, pull up on the release button, located in center front of seat, just under the seat bottom, position the seat back to the desired angle, and release the button. When the seat is not occupied, the seat back will automatically fold forward whenever the release button is pulled up.



The rear passenger seat consists of a fixed, one-piece seat bottom and an infinitely-adjustable split back. Seat back controls are located beneath each seat bottom and provide adjustment for each seat back. To adjust the seat back, raise the lever, position the seat back to the desired angle, release the lever and check that the back is locked in place.

Headrests are installed on both the front and rear seats. To adjust the headrest, apply enough pressure to it to raise or lower it to the desired level.

INTEGRATED SEAT BELT/SHOULDER HARNESS

All seat positions are equipped with integrated seat belts/shoulder harness assemblies (Refer to Figure 7-4). The design incorporates an overhead inertia reel for the shoulder portion, and a retractor assembly for the lap portion of the belt. This design allows for complete freedom of movement of the upper torso area while providing restraint in the lap belt area. In the event of a sudden deceleration, reels lock up to provide positive restraint for the user.

In the front seats, the inertia reels are located on the centerline of the upper cabin area. In the rear seats, the inertia reels are located outboard of each passenger in the upper cabin.

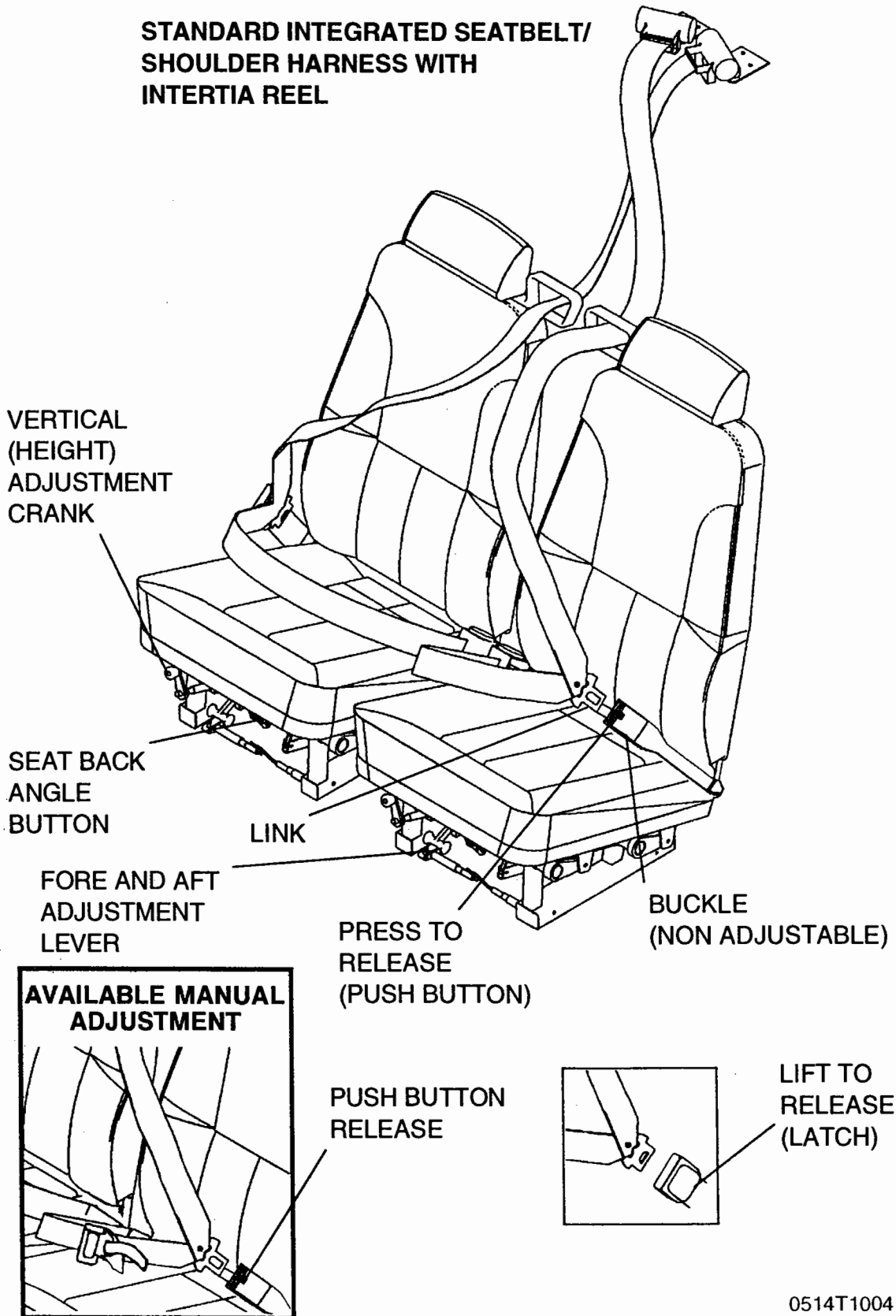
To use the integrated seat belt/shoulder harness, grasp the link with one hand, and, in a single motion, extend the assembly and insert into the buckle. Positive locking has occurred when a distinctive "snap" sound is heard.

Proper locking of the lap belt can be verified by ensuring that the belts are allowed to retract into the retractors and the lap belt is snug and low on the waist as worn normally during flight. No more than one additional inch of belt should be able to be pulled out of the retractor once the lap belt is in place on the occupant. If more than one additional inch of belt can be pulled out of the retractor, the occupant is too small for the installed restraint system and the seat should not be occupied until the occupant is properly restrained.

Removal is accomplished by lifting the release mechanism on the buckle or by pressing the release button on the buckle and pulling out and up on the harness. Spring tension on the inertia reel will automatically stow the harness.



**STANDARD INTEGRATED SEATBELT/
SHOULDER HARNESS WITH
INERTIA REEL**



0514T1004

Figure 7-4. Crew Seats, Seat Belts and Shoulder Harnesses



A manually adjustable seat belt/shoulder harness assembly is available for all seats.

To use the manually adjustable seat belt/shoulder harness, fasten and adjust the seat belt/shoulder harness first. Lengthen the seat belt as required by pulling on the release strap on the belt. Snap the connecting link firmly into the buckle, then adjust to length. A properly adjusted harness will permit the occupant to lean forward enough to sit erect, but prevent excessive forward movement and contact with objects during sudden deceleration. Also, the pilot must have the freedom to reach all controls easily.

Disconnecting the manually adjustable seat belt/shoulder harness is accomplished by pushing the button on the buckle to release the connecting link.

ENTRANCE DOORS AND CABIN WINDOWS

Entry to, and exit from the airplane is accomplished through either of two entry doors, one on each side of the cabin at the front seat positions (refer to Section 6 for cabin and cabin door dimensions). The doors incorporate a recessed exterior door handle, a conventional interior door handle, a key operated door lock (left door only), a door stop mechanism, and openable windows in both the left and right doors.

NOTE

The door latch design on this model requires that the outside door handle on the pilot and front passenger doors be extended out whenever the doors are open. When closing the door, do not attempt to push the door handle in until the door is fully shut.

To open the doors from outside the airplane, utilize the recessed door handle near the aft edge of either door by grasping the forward edge of the handle and pulling outboard. To close or open the doors from inside the airplane, use the combination door handle and arm rest. The inside door handle has three positions and a placard at its base which reads OPEN, CLOSE, and LOCK. The handle is spring loaded to the CLOSE (up) position. When the door has been pulled shut and latched, lock it by rotating the door handle forward to the LOCK position (flush with the arm rest). When the handle is rotated to the LOCK position, an over center action will hold it in that position. Both cabin doors should be locked prior to flight, and should not be opened intentionally during flight.



NOTE

Accidental opening of a cabin door in flight due to improper closing does not constitute a need to land the airplane. The best procedure is to set up the airplane in a trimmed condition at approximately 80 KIAS, momentarily shove the door outward slightly, and forcefully close and lock the door.

Exit from the airplane is accomplished by rotating the door handle from the LOCK position, past the CLOSE position, aft to the OPEN position and pushing the door open. To lock the airplane, lock the right cabin door with the inside handle, close the left cabin door, and using the ignition key, lock the door.

The left and right cabin doors are equipped with openable windows which are held in the closed position by a detent equipped latch on the lower edge of the window frame. To open the windows, rotate the latch upward. Each window is equipped with a spring-loaded retaining arm which will help rotate the window outward, and hold it there. If required, either window may be opened at any speed up to 175 KIAS. The rear side windows and rear windows are of the fixed type and cannot be opened.

CONTROL LOCKS

A control lock is provided to lock the aileron and elevator control surfaces to prevent damage to these systems by wind buffeting while the airplane is parked. The lock consists of a shaped steel rod and flag. The flag identifies the control lock and cautions about its removal before starting the engine. To install the control lock, align the hole in the top of the pilot's control wheel shaft with the hole in the top of the shaft collar on the instrument panel and insert the rod into the aligned holes. Installation of the lock will secure the ailerons in a neutral position and the elevators in a slightly trailing edge down position. Proper installation of the lock will place the flag over the ignition switch. In areas where high or gusty winds occur, a control surface lock should be installed over the vertical stabilizer and rudder. The control lock and any other type of locking device should be removed prior to starting the engine.



ENGINE

The airplane is powered by a horizontally opposed, six cylinder, overhead valve, air cooled, fuel injected engine with a wet sump lubrication system. The engine is a Lycoming Model IO-540-AB1A5 and is rated at 230 horsepower at 2400 RPM. Major accessories include a starter and belt driven alternator mounted on the front of the engine, and dual magnetos, dual vacuum pumps, and a full flow oil filter mounted on the rear of the engine accessory case.

ENGINE CONTROLS

Engine manifold pressure is set using the throttle control, a smooth black knob, which is located at the center of the instrument panel below the radios. The throttle control is configured so that the throttle is open in the forward position and closed in the full aft position. A friction lock, which is a round knurled knob, is located at the base of the throttle and is operated by rotating the lock clockwise to increase friction or counterclockwise to decrease it.

Engine speed is controlled by the propeller control. The propeller control is a fluted, blue knob located immediately to the right of the throttle control. This system is described under "Propeller" in this section.

The mixture control, mounted near the propeller control, is a red knob with raised points around the circumference and is equipped with a lock button in the end of the knob. The rich position is full forward, and full aft is the idle cutoff position. For small adjustments, the control may be moved forward by rotating the knob clockwise, and aft by rotating the knob counterclockwise. For rapid or large adjustments, the knob may be moved forward or aft by depressing the lock button in the end of the control, and then positioning the control as desired.



ENGINE INSTRUMENTS

Engine operation is monitored by the following instruments: oil pressure/oil temperature indicator, exhaust gas temperature indicator (EGT)/cylinder head temperature indicator (CHT), manifold pressure gauge/fuel flow indicator and tachometer.

The oil pressure/oil temperature indicator unit is located on the lower left side of the instrument panel. Markings for the pressure indicator indicate a minimum idling pressure of 20 PSI (red line), a normal operating range of 50 to 90 PSI (green arc), and a maximum pressure of 115 PSI (red line). Markings for the oil temperature gauge indicated a normal operating range of 100 to 245°F (green arc), and a maximum temperature of 245°F (red line).

Oil pressure signals are generated from a pressure line/transducer combination. An oil pressure line is routed from the upper front of the engine case to the rear engine baffle. At the baffle, the oil pressure line is connected to a transducer. This transducer produces an electrical signal which translates into a pressure reading at the instrument panel gauge.

Oil temperature signals are generated from a resistance-type probe located in the accessory case. As oil temperature changes, the probe resistance changes. This resistance is translated into oil temperature readings on the cockpit indicator.

In addition, a separate low oil pressure indication is provided through the panel annunciator. This annunciator is wired to a pressure switch located on the rear of the engine accessory case. When oil pressure is below 20 PSI, the switch grounds and completes the annunciator circuit, illuminating the red OIL PRESS annunciator. When pressure exceeds 20 PSI, the ground is removed and the OIL PRESS annunciator extinguishes.

NOTE

The low oil pressure switch is also wired into the Hobbs (hour) meter. When pressure exceeds 20 PSI, a ground is supplied to the hour meter, completing the hour meter circuit.

The EGT/CHT indicator, located on the left side of the instrument panel, is activated by electrical signals originating in the engine compartment. Markings for the exhaust gas temperature portion of the indicator are in 25°F increments, with no range markings or red lines. Marking for the cylinder head temperature portion of the indicator are in 50°F increments, with numbers at 200°F, 300°F, 400°F and 500°F. Normal operating temperatures (green arc) for the CHT indicator are 200°F to 500°F, with red line at 500°F.

EGT signals are generated from a thermocouple probe in the exhaust system. This probe allows a small amount of current to flow through it, and as temperature across the probe changes, so does current flow. This change in current flow registers on the indicator as a change in temperature. Although the EGT gauge contains no red lines or operating range marks, it is useful in establishing peak EGT and cruise EGT reference points for leaning the mixture.

CHT signals are generated from a thermistor probe screwed into the cylinder head of the number 1 (right hand forward) cylinder. The resistance of the probe changes in proportion to the temperature, and is registered on the indicator as a change in temperature.

The engine driven mechanical tachometer is located on the right side of the pilot's instrument panel. The instrument is marked in increments of 100 RPM, and indicates both engine and propeller speed. An hour meter in the lower section of the dial records elapsed engine time in hours and tenths. Instrument markings include the normal operating range (green arc) of 2000 to 2400 RPM, and a maximum (red line) of 2400 RPM.



The manifold pressure gauge is part of the manifold pressure gauge/fuel flow indicator located on the left side of the pilot's instrument panel. The gauge is direct reading and indicates induction air manifold pressure in inches of mercury. It has a normal operating range (green arc) of 15 to 23 In. Hg. The fuel flow indicator is a fuel pressure indicator calibrated in flow rate. The fuel pressure is taken at the flow divider valve by a pressure transducer. The pressure transducer receives a constant voltage from the indicator and returns a variable voltage depending on the pressure, as pressure increases, voltage increases. The indicator is marked in gallons per hour and has a green arc from 0 to 15 gal./hr. There is no red line or maximum fuel flow (pressure) limitation. There may be some atmospheric conditions that would result in fuel flow rates that exceed the maximum marked value on the indicator (i.e., very low density altitude and full throttle). If the indicator is pegged out because of these conditions, the indicator will not be damaged, and will return to operating range when the throttle is retarded to cruise power settings.

NEW ENGINE BREAK IN AND OPERATION

The engine run-in was accomplished at the factory and is ready for the full range of use. It is, however, suggested that cruising be accomplished at 75% power as much as practicable until a total of 50 hours has accumulated or oil consumption has stabilized. This will ensure proper seating of the piston rings.

ENGINE LUBRICATION SYSTEM

The engine utilizes a full-pressure, wet sump type lubrication system with aviation grade oil as the lubricant. The capacity of the engine sump (located on the bottom of the engine) is nine quarts (one additional quart is contained in the engine oil filter). Oil is drawn from the sump through a filter screen on the end of a pickup tube to the engine-driven oil pump. Oil from the pump passes through a full-flow oil filter, a pressure relief valve at the rear of the right oil gallery, and a thermostatically controlled remote oil cooler. Oil from the remote cooler is then circulated to the left oil gallery and propeller governor. The engine parts are then lubricated by oil from the galleries. After lubricating the engine, the oil returns to the sump by gravity. The filter adapter in the full flow filter is equipped with a bypass valve which will cause lubricating oil to bypass the filter in the event the filter becomes plugged, or the oil temperature is extremely cold.



An oil dipstick/filler tube is located on the upper left side of the engine case. The dipstick and oil filler tube are accessed through a door located on the left center portion of the upper engine cowling. The engine should not be operated on less than four quarts of oil. To minimize loss of oil through the breather, fill to eight quarts for normal flights of less than three hours. For extended flight, fill to nine quarts (dipstick indication only). For engine oil grade and specifications, refer to Section 8 of this handbook.

IGNITION AND STARTER SYSTEM

Engine ignition is provided by two engine-driven magnetos, and two spark plugs in each cylinder. The right magneto fires the lower right and upper left spark plugs, and the left magneto fires the lower left and upper right spark plugs. Normal operation is conducted with both magnetos due to the more complete burning of the fuel/air mixture with dual ignition.

Ignition and starter operation is controlled by a rotary-type switch located on the left switch and control panel. The switch is labeled clockwise, OFF, R, L, BOTH, and START. The engine should be operated on both magnetos (BOTH position) except for magneto checks. The R and L positions are for checking purposes and emergency use only. When the switch is rotated to the START position, (with the master switch in the ON position), the starter contactor is closed and the starter, now energized, will crank the engine. When the switch is released, it will automatically return to the BOTH position.

AIR INDUCTION SYSTEM

The engine air induction system receives ram air through an intake on the lower front portion of the engine cowling. The intake is covered by an air filter which removes dust and other foreign matter from the induction air. Airflow passing through the filter enters an air box. The air box has one spring-loaded alternate air door. If the air induction filter should become blocked, suction created by the engine will open the door and draw unfiltered air from inside the lower cowl area. An open alternate air door will result in an approximate 10% power loss at full throttle. After passing through the air box, induction air enters a fuel/air control unit under the engine, and is then ducted to the engine cylinders through intake manifold tubes.



EXHAUST SYSTEM

Exhaust gas from each cylinder passes through riser assemblies to a muffler and tailpipe. Outside air is pulled in around shrouds which are constructed around the outside of the mufflers to form heating chambers which supply heat to the cabin.

FUEL INJECTION SYSTEM

The engine is equipped with a fuel injection system. The system is comprised of an engine-driven fuel pump, fuel/air control unit, fuel manifold, fuel flow indicator, and air-bleed type injector nozzles.

Fuel is delivered by the engine-driven fuel pump to the fuel/air control unit. The fuel/air control unit correctly proportions the fuel flow to the induction air flow. After passing through the control unit, induction air is delivered to the cylinders through the intake manifold tubes and metered fuel is delivered to a fuel manifold (flow divider). The fuel manifold, through spring tension on a diaphragm and valve, evenly distributes the fuel to an air-bleed type injector nozzle in the intake valve chamber of each cylinder. A fuel flow transducer is also installed upstream of the fuel/air control unit which attaches to the rear baffle, and is connected to a fuel flow indicator on the instrument panel.

COOLING SYSTEM

Ram air for engine cooling enters through two intake openings in the front of the engine cowling. The cooling air is directed around the cylinders and other areas of the engine by baffling, and is then exhausted through an opening at the bottom aft edge of the cowling. The cowl flaps are mechanically operated from the cabin by means of the cowl flap control on the right side of the control pedestal.



The pedestal is labeled OPEN, COWL FLAPS, CLOSED. Before starting the engine, takeoff and high power operation, the cowl flap control should be placed in the OPEN position for maximum cooling. This is accomplished by moving the control to the right to clear a detent, then moving the control up to the OPEN position. Anytime the control is repositioned, it must first be moved to the right. While in cruise flight, cowl flaps should be closed unless hot day conditions require them to be adjusted to keep the cylinder head temperature at approximately two-thirds of the normal operating range (green arc). During extended let-downs, it may be necessary to completely close the cowl flaps by pushing the cowl flap control down to the CLOSED position.

A winterization kit is available for the airplane. Details of this kit are presented in Section 9, Supplements.

PROPELLER

The airplane has an all-metal, three-bladed, constant-speed, governor-regulated propeller. A setting introduced into the governor with the propeller control establishes the propeller speed, and thus the engine speed to be maintained. The governor then controls flow of engine oil, boosted to high pressure by the governing pump, to or from a piston in the propeller hub. Oil pressure acting on the piston twists the blades toward high pitch (low RPM). When oil pressure to the piston in the propeller hub is relieved, centrifugal force, assisted by an internal spring, twists the blades toward low pitch (high RPM).

A control knob on the center area of the switch and control panel is used to set the propeller and control engine RPM as desired for various flight conditions. The knob is labeled PROPELLER, PUSH INCR RPM. When the control knob is pushed in, blade pitch will decrease, giving a higher RPM. When the control knob is pulled out, the blade pitch increases, thereby decreasing RPM. The propeller control knob is equipped with a vernier feature which allows slow or fine RPM adjustments by rotating the knob clockwise to increase RPM, and counterclockwise to decrease it. To make rapid or large adjustments, depress the button on the end of the control knob and reposition the control as desired.



FUEL SYSTEM

The airplane fuel system (see Figure 7-6) consists of two vented integral fuel tanks (one tank in each wing), two fuel manifolds (one in each aft doorpost), a dual stack, four-position selector valve, an electrically-driven auxiliary fuel pump, and a fuel strainer. The engine-mounted portion of the system consists of the engine-driven fuel pump, a fuel/air control unit, fuel flow transducer, a fuel distribution valve (flow divider) and fuel injection nozzles.

The fuel system also incorporates a fuel return system that returns fuel from the top of the fuel servo back to each integral wing tank. The system includes a flexible fuel hose assembly between the servo and the firewall. Aluminum fuel lines return the fuel to the top portion of the selector valve and then to the aircraft integral tanks. One drain is added to properly drain the return system.

WARNING

UNUSABLE FUEL LEVELS FOR THIS AIRPLANE WERE DETERMINED IN ACCORDANCE WITH FEDERAL AVIATION REGULATIONS. FAILURE TO OPERATE THE AIRPLANE IN COMPLIANCE WITH FUEL LIMITATIONS SPECIFIED IN SECTION 2 MAY FURTHER REDUCE THE AMOUNT OF FUEL AVAILABLE IN FLIGHT.

NOTE

Unusable fuel is at a minimum due to the design of the fuel system. However, with 1/4 tank or less, prolonged uncoordinated flight such as slips or skids can uncover the fuel tank outlets, causing fuel starvation and engine stoppage. Therefore, with low fuel reserves, do not allow the airplane to remain in uncoordinated flight for periods in excess of one minute.



FUEL TANKS	FUEL LEVEL (QUANTITY EACH TANK)	TOTAL FUEL	TOTAL UNUSABLE	TOTAL USABLE ALL FLIGHT CONDITIONS
Two	Full (46.0)	92.0	5.0	87.0
Two	Reduced (34.5)	69.0	5.0	64.0

Figure 7-5. Fuel Quantity Data in U.S. Gallons

FUEL DISTRIBUTION

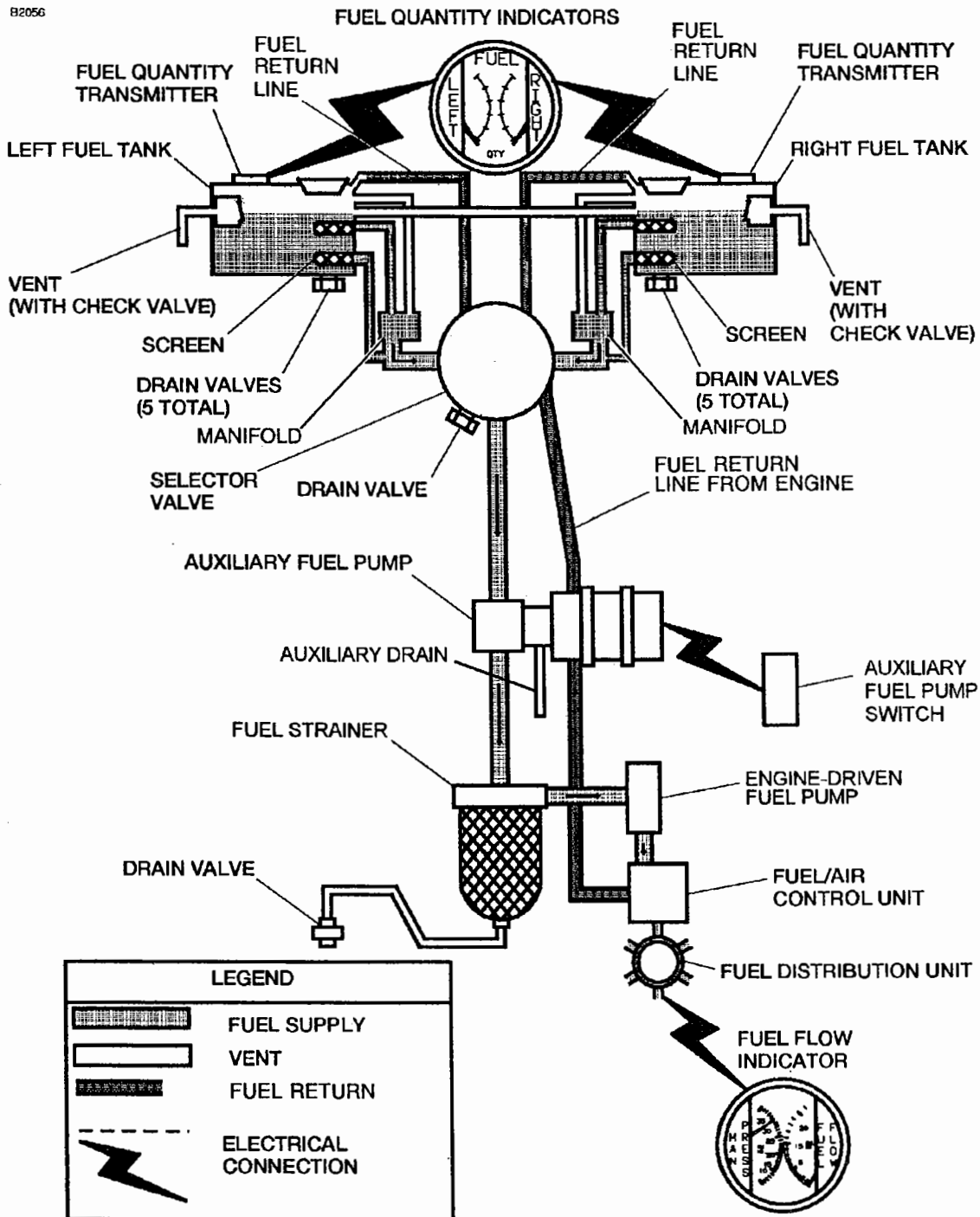
Fuel flows by gravity from the two wing tanks through the fuel manifold (aft pickup only), and to a four position selector valve. From the selector valve, fuel flows through the auxiliary fuel pump, the fuel strainer, and to the engine driven fuel pump. A portion of the fuel (approximately 7 gallons/hour) is returned to the wing tank currently selected through the use of the fuel return system. From the engine driven fuel pump, fuel is delivered to the fuel/air control unit on the bottom of the engine. The fuel/air control unit (fuel servo) meters fuel flow in proportion to induction air flow. After passing through the control unit, metered fuel goes to a fuel distribution valve (flow divider) located on top of the engine. From the fuel distribution valve, individual fuel lines are routed to air bleed type injector nozzles located in the intake chamber of each cylinder.

FUEL INDICATING SYSTEM

Fuel quantity is measured by two float-type fuel quantity transmitters (one in each tank) and displayed by an electrically operated fuel quantity indicator on the left side of the instrument panel. The indicators are marked in gallons of fuel. An empty tank is indicated by a red line and the number "0". When an indicator shows an empty tank, approximately 2.5 gallons remain in a tank as unusable fuel. The indicators should not be relied upon for accurate readings during skids, slips, or unusual attitudes.



82056



0791C1001

Figure 7-6. Fuel System Schematic



The fuel quantity indicators also incorporate warning circuits which can detect low fuel conditions and erroneous transmitter signals. Anytime fuel in the tank drops below approximately 8 gallons (and remains below this level for more than 60 seconds), the amber LOW FUEL message will flash on the annunciator panel for approximately 10 seconds and then remain steady. The annunciator cannot be turned off by the pilot. If the left tank is low, the message will read L LOW FUEL. If the right tank is low, the message will read LOW FUEL R. If both tanks are low, the message will read L LOW FUEL R.

In addition to low fuel annunciation, the warning circuitry is designed to report failures with each transmitter caused by shorts, opens. If the circuitry detects any one of these conditions, the fuel level indicator needle will go to the OFF position (below the "0" mark on the fuel gauge), and 60 seconds later the amber annunciator will illuminate. If the left tank transmitter has failed, the message will read L LOW FUEL. If the right tank transmitter has failed, the message will read LOW FUEL R. If both tanks transmitters have failed, the message will read L LOW FUEL R.

Fuel flow is measured by use of a fuel transducer (flowmeter) mounted on the centerline of the engine in front of the fuel distribution unit. This flowmeter produces an electrical signal which is translated in the cockpit-mounted indicator as gallons-per-hour. Normal operating (green arc) range is from 0 to 18 gallons-per-hour with a step at 16 gallons-per-hour.

AUXILIARY FUEL PUMP OPERATION

The auxiliary fuel pump is used primarily for priming the engine before starting. Priming is accomplished through the fuel injection system. If the auxiliary fuel pump switch is accidentally placed in the ON position for prolonged periods (with master switch turned on and mixture rich) with the engine stopped, the engine may be flooded.

The auxiliary fuel pump is also used for vapor suppression in hot weather. Normally, momentary use will be sufficient for vapor suppression; however, continuous operation is permissible if required. Turning on the auxiliary fuel pump with a normally operating engine pump will result in only a very minor enrichment of the mixture.



It is not necessary to operate the auxiliary fuel pump operating during normal takeoff and landing, since gravity and the engine-driven pump will supply adequate fuel flow. In the event of failure of the engine-driven fuel pump, use of the auxiliary fuel pump will provide sufficient fuel to maintain flight at maximum continuous power.

FUEL RETURN SYSTEM

A fuel return system was incorporated to improve engine operation during extended idle operation in hot weather environments. The major components of the system include and orificed fitting located in the top of the fuel servo, a dual stack fuel selector, and a drain valve assembly. The system is designed to return fuel/vapor back to the main tanks at approximately 7 gallons per hour. The dual stack selector ensures that fuel returns only to the tank that is selected as the feed tank. For example, if the fuel selector is positioned to use fuel from the left hand tank, the fuel return system is returning fuel to the left hand tank only.

FUEL VENTING

Fuel system venting is essential to system operation. Complete blockage of the venting system will result in decreasing fuel flow and eventual engine stoppage. Venting consists of an interconnecting vent line between the tanks and check valve equipped overboard vents in each tank. The overboard vents protrude from the bottom surfaces of the wings behind the wing struts, slightly below the upper attach points of the struts. The fuel filler caps are vacuum vented; the vents will open and allow air to enter the fuel tanks in case the overboard vents become blocked.

FUEL SELECTOR VALVE

The fuel selector is a four-position selector valve, labeled BOTH, RIGHT, LEFT and OFF. The selector handle must be pushed down before it can be rotated from RIGHT or LEFT to OFF. The top portion of the valve is the return portion of the valve, while the bottom portion of the valve is the supply portion. Each side is isolated from the other.



The fuel selector valve should be in the BOTH position for takeoff, climb, landing, and maneuvers that involve prolonged slips or skids of more than 30 seconds. Operation from either LEFT or RIGHT tank is reserved for cruising flight.

NOTE

When the fuel selector valve handle is in the BOTH position in cruising flight, unequal fuel flow from each tank may occur if the wings are not maintained exactly level. Resulting wing heaviness can be alleviated gradually by turning the selector valve handle to the tank in the "heavy" wing.

NOTE

It is not practical to measure the time required to consume all of the fuel in one tank, and, after switching to the opposite tank, expect an equal duration from the remaining fuel. The airspace in both fuel tanks is interconnected by a vent line and, therefore, some sloshing of fuel between tanks can be expected when the tanks are nearly full and the wings are not level.

NOTE

Unusable fuel is at a minimum due to the design of the fuel system. However, with 1/4 tank or less, prolonged uncoordinated flight such as slips or skids can uncover the fuel tank outlets causing fuel starvation and engine stoppage. Therefore, with low fuel reserves, do not allow the airplane to remain in uncoordinated flight for periods in excess of one minute.



FUEL DRAIN VALVES

The fuel system is equipped with drain valves to provide a means for the examination of fuel in the system for contamination and grade. The system should be examined before each flight and after each refueling, by using the sampler cup provided to drain fuel from each wing tank sump, the fuel return side sump, the fuel selector drain and the fuel strainer sump. If any evidence of fuel contamination is found, it must be eliminated in accordance with the Preflight Inspection checklist and the discussion in Section 8 of this publication. If takeoff weight limitations for the next flight permit, the fuel tanks should be filled after each flight to prevent condensation.

BRAKE SYSTEM

The airplane has a single-disc, hydraulically-actuated brake on each main landing gear wheel. Each brake is connected, by a hydraulic line, to a master cylinder attached to each of the pilot's rudder pedals. The brakes are operated by applying pressure to the top of either the left (pilot's) or right (copilot's) set of rudder pedals, which are interconnected. When the airplane is parked, both main wheel brakes may be set by utilizing the parking brake which is operated by a handle under the left side of the instrument panel. To apply the parking brake, set the brakes with the rudder pedals, pull the handle aft, and rotate it 90° down.

For maximum brake life, keep the brake system properly maintained, and minimize brake usage during taxi operations and landings.

Some of the symptoms of impending brake failure are: gradual decrease in braking action after brake application, noisy or dragging brakes, soft or spongy pedals, and excessive travel and weak braking action. If any of these symptoms appear, the brake system is in need of immediate attention. If, during taxi or landing roll, braking action decreases, let up on the pedals and then reapply the brakes with heavy pressure. If the brakes become spongy or pedal travel increases, pumping the pedals should build braking pressure. If one brake becomes weak or fails, use the other brake sparingly while using opposite rudder, as required, to offset the good brake.



ELECTRICAL SYSTEM

The airplane is equipped with a 28-volt, direct current electrical system (Refer to Figure 7-7). The system is powered by a belt-driven, 60-amp alternator and a 24-volt battery, located in the tail of the airplane. Power is supplied to most general electrical circuits through a split primary bus, with an essential bus wired between the two primaries to provide power for the master switch, annunciator circuits and interior lighting.

Each primary bus bar is also connected to an avionics bus bar via a single avionics master switch. The primary buses are on anytime the master switch is turned on, and are not affected by starter or external power usage. The avionics buses are on when the master switch and avionics master switch are in the ON position.

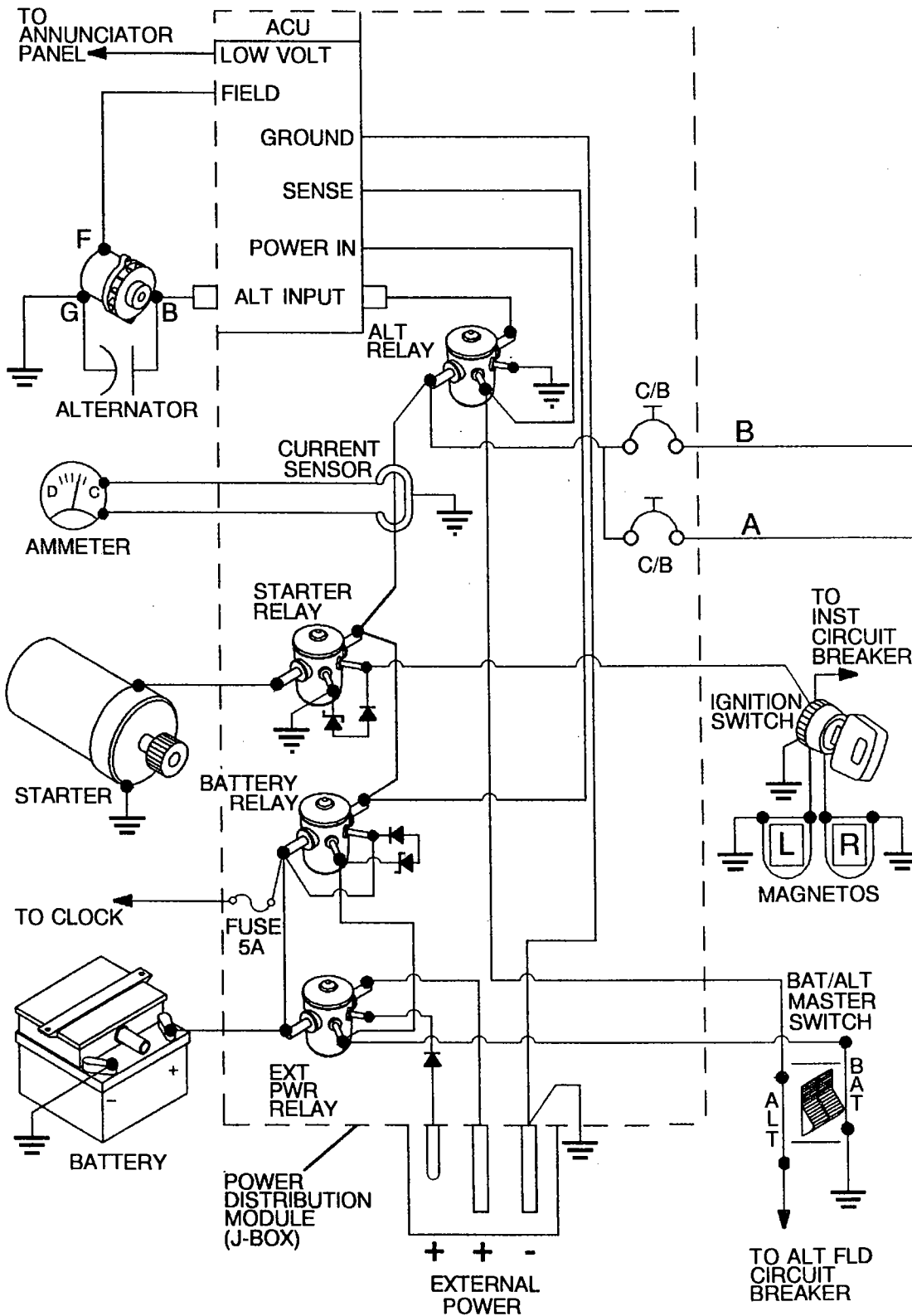
CAUTION

PRIOR TO TURNING THE MASTER SWITCH ON OR OFF, STARTING THE ENGINE OR APPLYING AN EXTERNAL POWER SOURCE, THE AVIONICS MASTER SWITCH, LABELED AVIONICS MASTER, SHOULD BE TURNED OFF TO PREVENT ANY HARMFUL TRANSIENT VOLTAGE FROM DAMAGING THE AVIONICS EQUIPMENT.

The airplane uses a power distribution module (J-Box), located on the left forward side of the firewall, to house all relays used throughout the airplane electrical system. In addition, the alternator control unit and the external power connector are housed within the module.

ANNUNCIATOR PANEL

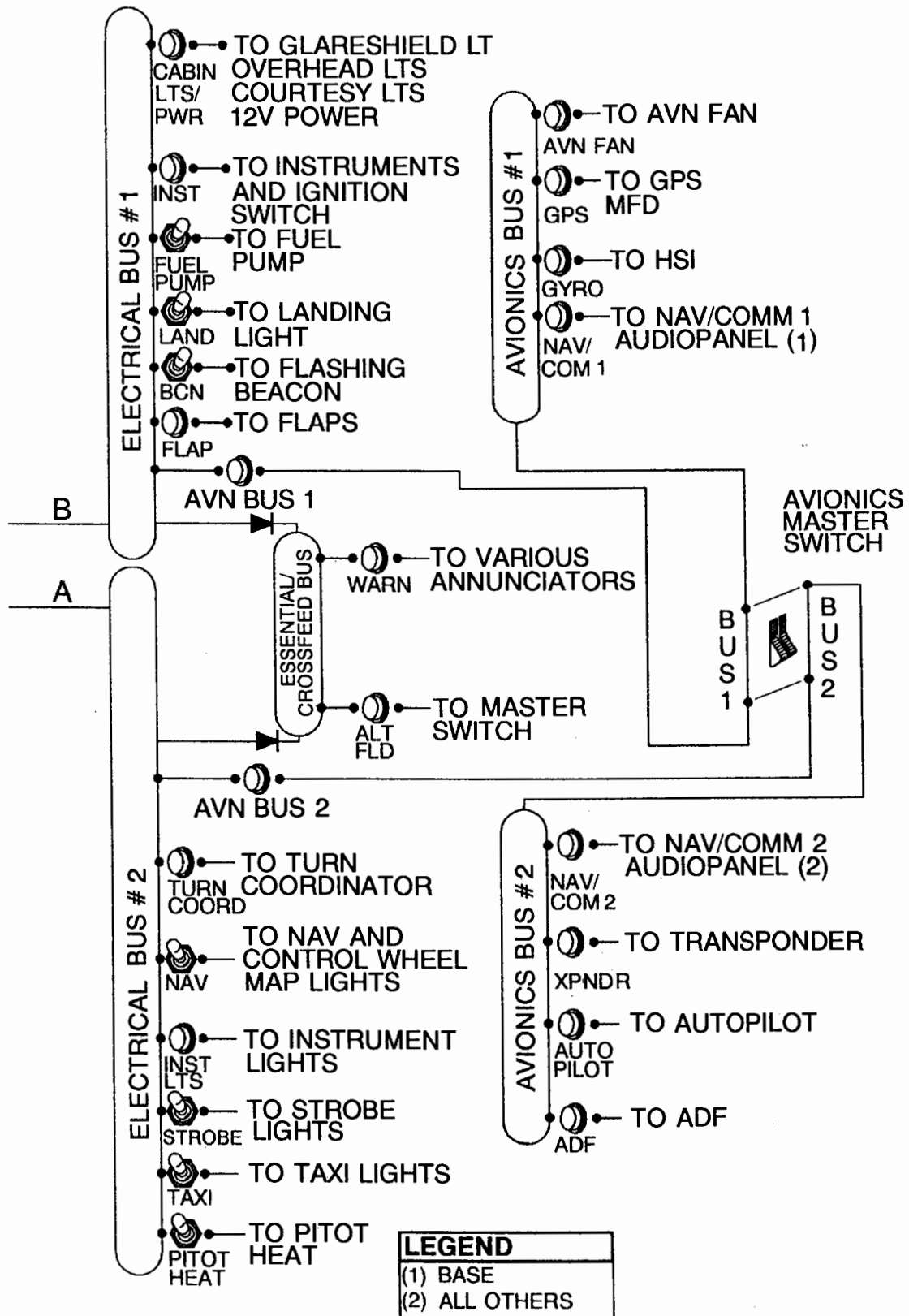
An annunciator panel (with integral toggle switch) is located above the avionics stack and provides caution (amber) and warning (red) messages for selected portions of the airplane systems. The annunciator is designed to flash messages for approximately 10 seconds to gain the attention of the pilot before changing to steady on. The annunciator panel cannot be turned off by the pilot.



0585C2001



Figure 7-7. Electrical Schematic (Sheet 1 of 2)



0585C2001

Figure 7-7. Electrical Schematic (Sheet 2 of 2)



Inputs to annunciator come from each fuel transmitter, low oil pressure switch, the vacuum transducers and the alternator control unit (ACU). Highly reliable individual LED bulbs illuminate each message. Illumination intensity can be controlled by placing the toggle switch to either the DAY or NIGHT position.

The annunciator panel can be tested by turning the Master Switch ON and holding the annunciator panel switch in the TST position. All amber and red messages will flash until the switch is released.

NOTE

When the Master Switch is turned ON, some annunciators will flash for approximately 10 seconds before illuminating steadily. When the annunciator panel switch is toggled up and held in the TST position, all annunciators will flash until the switch is released.

MASTER SWITCH

The master switch is a split rocker-type switch labeled MASTER, and is ON in the up position and off in the down position. The right half of the switch, labeled BAT, controls all electrical power to the airplane. The left half, labeled ALT, controls the alternator.

CAUTION

PRIOR TO TURNING THE MASTER SWITCH ON OR OFF, STARTING THE ENGINE OR APPLYING AN EXTERNAL POWER SOURCE, THE AVIONICS MASTER SWITCH SHOULD BE TURNED OFF TO PREVENT ANY HARMFUL TRANSIENT VOLTAGE FROM DAMAGING THE AVIONICS EQUIPMENT.



Normally, both sides of the master switch should be used simultaneously; however, the BAT side of the switch could be turned on separately to check equipment while on the ground. To check or use avionics equipment or radios while on the ground, the avionics power switch must also be turned on. The ALT side of the switch, when placed in the off position, removes the alternator from the electrical system. With this switch in the off position, the entire electrical load is placed on the battery. Continued operation with the alternator switch in the off position will reduce battery power low enough to open the battery contactor, remove power from the alternator field, and prevent alternator restart.

AVIONICS MASTER SWITCH

Electrical power for Avionics Bus 1 and Avionics Bus 2 is supplied through Primary circuit breakers. A rocker switch, located between the primary and avionics buses, controls current flow to the avionics buses. Placing the rocker switch in the up (ON) position supplies power to both buses simultaneously. Placing the switches in the down (OFF) position removes power from both buses. The switch is located on the lower left side of the instrument panel.

With the avionics master switch in the off position, no electrical power will be applied to the avionics equipment, regardless of the position of the master switch or the individual equipment switches. The avionics master switch should be placed in the OFF position prior to turning the master switch on or off, starting the engine, or applying an external power source.

Each avionics bus also incorporates a separate circuit breaker installed between the primary bus and the avionics master switch. In the event of an electrical malfunction, this breaker will trip and take the affected avionics bus off-line.



AMMETER

The vacuum gauge/ammeter is located on the lower left side of the instrument panel. It indicates the amount of current, in amperes, from the alternator to the battery or from the battery to the airplane electrical system. When the engine is operating and the master switch is turned on, the ammeter indicates the charging rate applied to the battery. In the event the alternator is not functioning or the electrical load exceeds the output of the alternator, the ammeter indicates the battery discharge rate.

LOW VOLTAGE ANNUNCIATION

The low voltage warning annunciator is incorporated in the annunciator panel and activates anytime voltage falls below 24.5 volts. If low voltage is detected, the red annunciation VOLTS will flash for approximately 10 seconds before illuminating steadily. The pilot cannot turn off the annunciator.

In the event an overvoltage condition occurs, the alternator control unit automatically pops the ALT FLD circuit breaker, removing alternator field current and shutting down the alternator. The battery will then supply system current as shown by a discharge rate on the ammeter. Under these conditions, depending on electrical system load, the low voltage warning annunciator will illuminate when system voltage drops below 24.5 volts. The alternator control unit may be reset by resetting the circuit breaker. If the warning annunciator extinguishes, normal alternator charging has resumed; however, if the annunciator illuminates again, a malfunction has occurred, and the flight should be terminated as soon as practicable.

NOTE

Illumination of the low voltage annunciator and ammeter discharge indications may occur during low RPM conditions with an electrical load on the system, such as during a low RPM taxi. Under these conditions, the annunciator will go out at higher RPM.



CIRCUIT BREAKERS AND FUSES

Except for the autopilot breaker, which is a "pull-type" breaker, all circuit breakers inside the airplane are of the "push to reset" or "switch/breaker" type. The power distribution module (J-Box) uses either "push to reset" circuit breakers. One glass type fuse is also used to provide power to the clock

GROUND SERVICE PLUG RECEPTACLE

A ground service receptacle plug is integral to the power distribution module and allows the use of an external power source for cold weather starting, and during lengthy maintenance work on electrical and avionics equipment. The receptacle is located on the left side of the airplane near the firewall. Access to the receptacle is gained by opening the access door.

The ground service plug receptacle provides the power that will close the external power contactor and battery contactor only if the master switch is turned ON. This is intended as a servicing aid when the ship's battery power is too weak to close the battery contactor. Under normal battery conditions the master switch will only close the battery contactor.

NOTE

If no avionics equipment is to be used or worked on, the avionics master switch should be turned off. If maintenance is required on the avionics equipment, it is advisable to utilize a regulated external power source to prevent damage to the avionics equipment by transient voltage. Do not crank or start the engine with the avionics master switch turned on.

NOTE

Just before connecting an external power source (generator type or battery cart), the avionics master switch and the master switch should be turned off.



If there is any question as to the condition of the battery, the following check should be made after engine has been started and external power source has been removed.

1. Master Switch - - OFF.
2. Taxi and Landing Light Switches - - ON.
3. Engine RPM - - REDUCE to idle.
4. Master Switch - - ON (with taxi and landing lights turned on)
5. Engine RPM - - INCREASE to approximately 1500 RPM.
6. Ammeter and Low Voltage Annunciator - - CHECK for charge and no annunciation.

NOTE

If the ammeter does not show a charge or the low voltage warning annunciator does not go out, the battery should be removed from the airplane and properly serviced prior to flight.

LIGHTING SYSTEMS

EXTERIOR LIGHTING

Exterior lighting consists of navigation lights on the wing tips and on the aft stinger, a dual landing/taxi lights located in the left wing leading edge, a flashing beacon mounted on top of the vertical fin, and a strobe anticollision light on each wing tip. In addition, two courtesy lights are recessed into the lower surface of each wing and provide illumination for each cabin door area.

The exterior courtesy lights (and the rear cabin dome light) are turned on by pressing the rear cabin light switch. Pressing the rear cabin light switch again will extinguish the three lights. The remaining exterior lights are operated by breaker/switches located on the lower left instrument panel. To activate these lights, place switch in the UP position. To deactivate light, place in the DOWN position.



NOTE

The strobes and flashing beacon should not be used when flying through clouds or overcast; the flashing light reflected from water droplets or particles in the atmosphere, particularly at night, can produce vertigo and loss of orientation.

INTERIOR LIGHTING

Interior lighting is controlled by a combination of flood lighting, glareshield lighting, pedestal lighting, panel lighting, radio lighting and pilot control wheel map lighting.

Flood lighting is accomplished using one light in the front and a single dome light in the rear. All lights are contained in the overhead console, and are turned on and off with push type switches located near each light. The front light is individually rotatable, providing directional lighting for the pilot and front passenger. The rear dome light is a fixed position light and provides for general illumination in the rear cabin area.

Glareshield lighting is accomplished using an LED light recessed into the glareshield. This light is controlled by rotating the GLARESHIELD LT dimmer, located below the nav indicators. Rotating the dimmer clockwise increases light intensity, and rotating the dimmer counterclockwise decreases light intensity.

Pedestal lighting consists of a three hooded lights located at various locations on the pedestal. These lights are controlled by rotating the PEDESTAL LT dimmer, located below the nav indicators. Rotating the dimmer clockwise increases light intensity, and rotating the dimmer counterclockwise decreases light intensity. Compass and identification placard lights are also controlled by this dimmer.



Panel lighting is accomplished using individual lights mounted in each instrument and gauge. These lights are wired in parallel and are controlled by the PANEL LT dimmer, located below the nav indicators. Rotating the dimmer clockwise increases light intensity, and rotating the dimmer counterclockwise decreases light intensity. Back lighting intensity for the radios and instrument lighting for the RH nav indicators, in the pilot's panel, is controlled by the TST (TEST) - BRT (DAY) - DIM (NIGHT) switch. When the switch is in the BRT (DAY) position, this lighting may be off regardless of the RADIO LT dimmer position.

Pilot control wheel map lighting is accomplished by use of a rheostat and light assembly, located underneath the pilot control wheel. The light provides downward illumination from the bottom of the control wheel to the pilot's lap area. To operate the light, first turn on the NAV light switch, then adjust the map light intensity with the knurled rheostat knob. Rotating the dimmer clockwise increases light intensity, and rotating the dimmer counterclockwise decreases light intensity.

Regardless of the light system in question, the most probable cause of a light failure is a burned out bulb. However, in the event any of the lighting systems fail to illuminate when turned on, check the appropriate circuit breaker. If the circuit breaker has opened, and there is no obvious indication of a short circuit (smoke or odor), turn off the light switch of the affected lights, reset the breaker, and turn the switch on again. If the breaker opens again, do not reset it until maintenance has been performed.

CABIN HEATING, VENTILATING AND DEFROSTING SYSTEM

The temperature and volume of airflow into the cabin can be regulated by manipulation of the push-pull CABIN HT and CABIN AIR controls (Refer to Figure 7-8). Both controls are the double-button locking-type and permit intermediate settings.



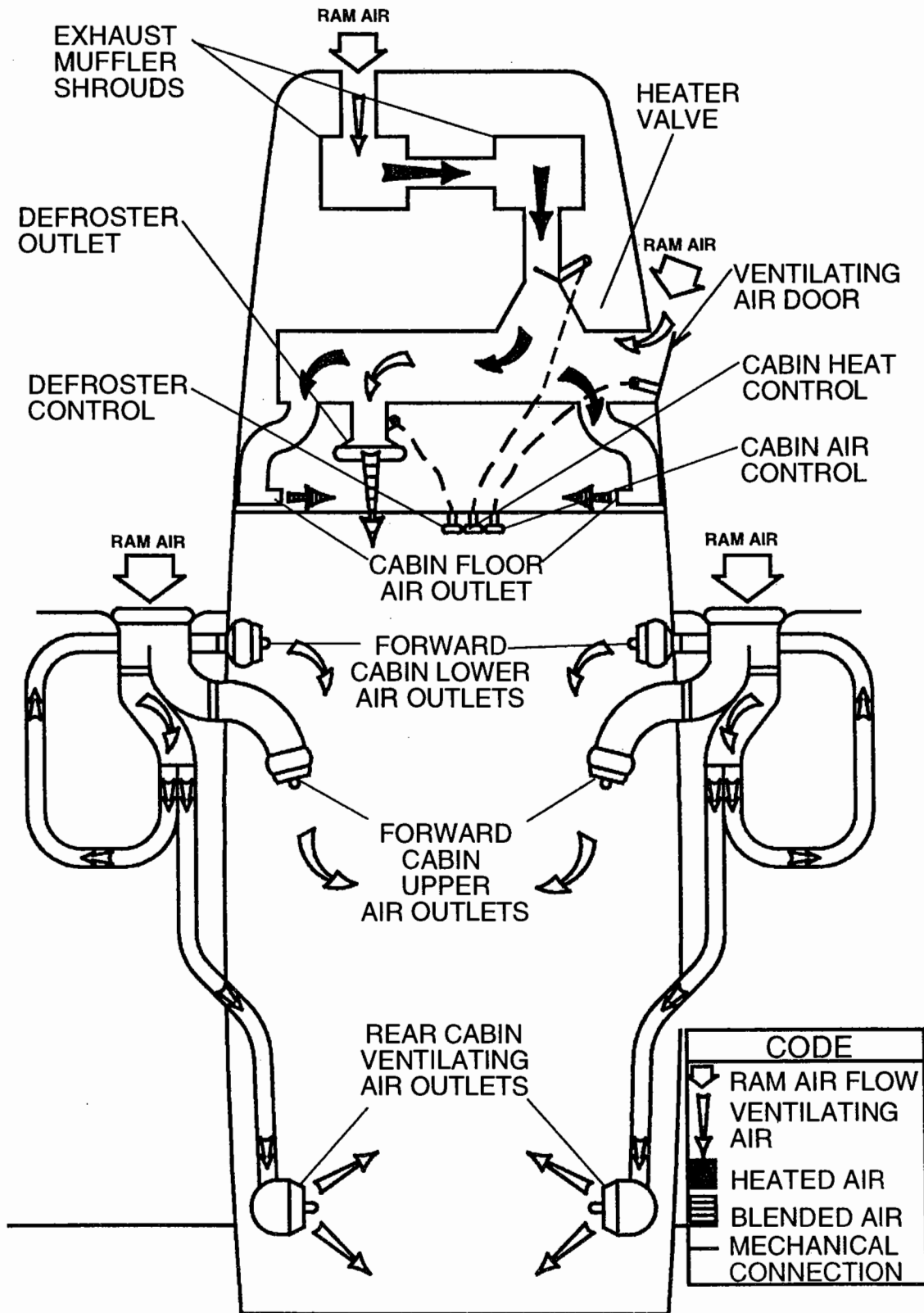
For cabin ventilation, pull the CABIN AIR knob out. To raise the air temperature, pull the CABIN HT knob out approximately 1/4 to 1/2 inch for a small amount of cabin heat. Additional heat is available by pulling the knob out farther; maximum heat is available with the CABIN HT knob pulled out and the CABIN AIR knob pushed full in. When no heat is desired in the cabin, the CABIN HT knob is pushed full in.

Front cabin heat and ventilating air is supplied by outlet holes spaced across a cabin manifold just forward of the pilot's and copilot's feet. Rear cabin heat and air is supplied by two ducts from the manifold, one extending down each side of the cabin to an outlet just aft of the rudder pedals at floor level. Windshield defrost air is also supplied by a duct from the cabin manifold outlet on top of the glareshield; therefore, the temperature of the defrosting air is the same as heated cabin air. A rotating control knob, labeled DEFROST, regulates the volume of air to the windshield. Turn the knob clockwise to ON and counter-clockwise to OFF.

Separate adjustable ventilators supply additional air; one near each upper corner of the windshield supplies air for the pilot and copilot, and two ventilators are available for the rear cabin area to supply air to the rear seat passengers. Additionally, there are ventilators located on the forward cabin sidewall area just below the windshield sill area.

PITOT-STATIC SYSTEM AND INSTRUMENTS

The pitot-static systems supply ram air pressure to the airspeed indicator and static pressure to the airspeed indicator, vertical speed indicator and altimeter. The systems are composed of a heated pitot tube mounted on the lower surface of the left wing, two external static ports on the lower left and right sides of the forward fuselage, an alternate static source valve and the associated plumbing necessary to connect the instruments to the sources.



0785C1014

Figure 7-8. Cabin Heating, Ventilating and Defrosting System.



The heated pitot system consists of a heating element in the pitot tube, a 10-amp switch/breaker labeled PITOT HEAT, and associated wiring. The switch/breaker is located on the lower left side of the instrument panel. When the pitot heat switch is turned on, the element in the pitot tube is heated electrically to maintain proper operation in possible icing conditions.

A static pressure alternate source valve is installed above the throttle, and can be used if the external static source is malfunctioning. This valve supplies static pressure from inside the cabin instead of the external static port.

If erroneous instrument readings are suspected due to water or ice in the pressure line going to the standard external static pressure source, the alternate static source valve should be pulled on.

Pressures within the cabin will vary with open heater/vents and windows. Refer to Section 5 for the configuration applicable to the use of the alternate static source and the correction charts.

AIRSPEED INDICATOR

The airspeed indicator is calibrated in knots and miles per hour. It incorporates an internal, rotatable ring which allows true airspeed to be read off the face of the dial. In addition, the indicator incorporates windows at the seven and twelve o'clock positions. The window at the seven o'clock position displays true airspeed, and the window at the twelve o'clock position displays pressure altitude overlaid with a temperature scale.

Limitation and range markings (in KIAS) include the white arc (41 to 100 knots), green arc (51 to 140 knots), yellow arc (140 to 175 knots), and a red line (175 knots).

To find true airspeed, first determine pressure altitude and outside air temperature. Using this data, rotate the lower left knob until pressure altitude aligns with outside air temperature in the twelve o'clock window. True airspeed (corrected for pressure and temperature) can now be read in the seven o'clock window. For maximum accuracy the true airspeed should be read opposite the calibrated airspeed value.



VERTICAL SPEED INDICATOR

The vertical speed indicator depicts airplane rate of climb or descent in feet per minute. The pointer is actuated by atmospheric pressure changes resulting from changes of altitude as supplied by the static sources.

ALTIMETER

Airplane altitude is depicted by a barometric type altimeter. A knob near the lower left portion of the indicator provides adjustment of the instrument's barometric scale to the current altimeter setting.

VACUUM SYSTEM AND INSTRUMENTS

The vacuum system (Refer to Figure 7-9) provides vacuum necessary to operate the attitude indicator and directional indicator. The system consists of two engine-driven vacuum pumps, two pressure switches for measuring vacuum available through each pump, a vacuum relief valve, a vacuum system air filter, vacuum operated instruments, a vacuum gauge, low vacuum warning on the annunciator, and a manifold with check valves to allow for normal vacuum system operation if one of the vacuum pumps should fail.

ATTITUDE INDICATOR

The attitude indicator is a vacuum/air-driven gyro that gives a visual indication of flight attitude. Bank attitude is presented by a pointer at the top of the indicator relative to the bank scale which has index marks at 10°, 20°, 30°, 60°, and 90° either side of the center mark. Pitch and roll attitudes are presented by a miniature airplane superimposed over a symbolic horizon area divided into two sections by a white horizon bar. The upper "blue sky" area and the lower "ground" area have pitch reference lines useful for pitch attitude control. A knob at the bottom of the instrument is provided for in-flight adjustment of the symbolic airplane to the horizon bar for a more accurate flight attitude indication.



DIRECTIONAL INDICATOR

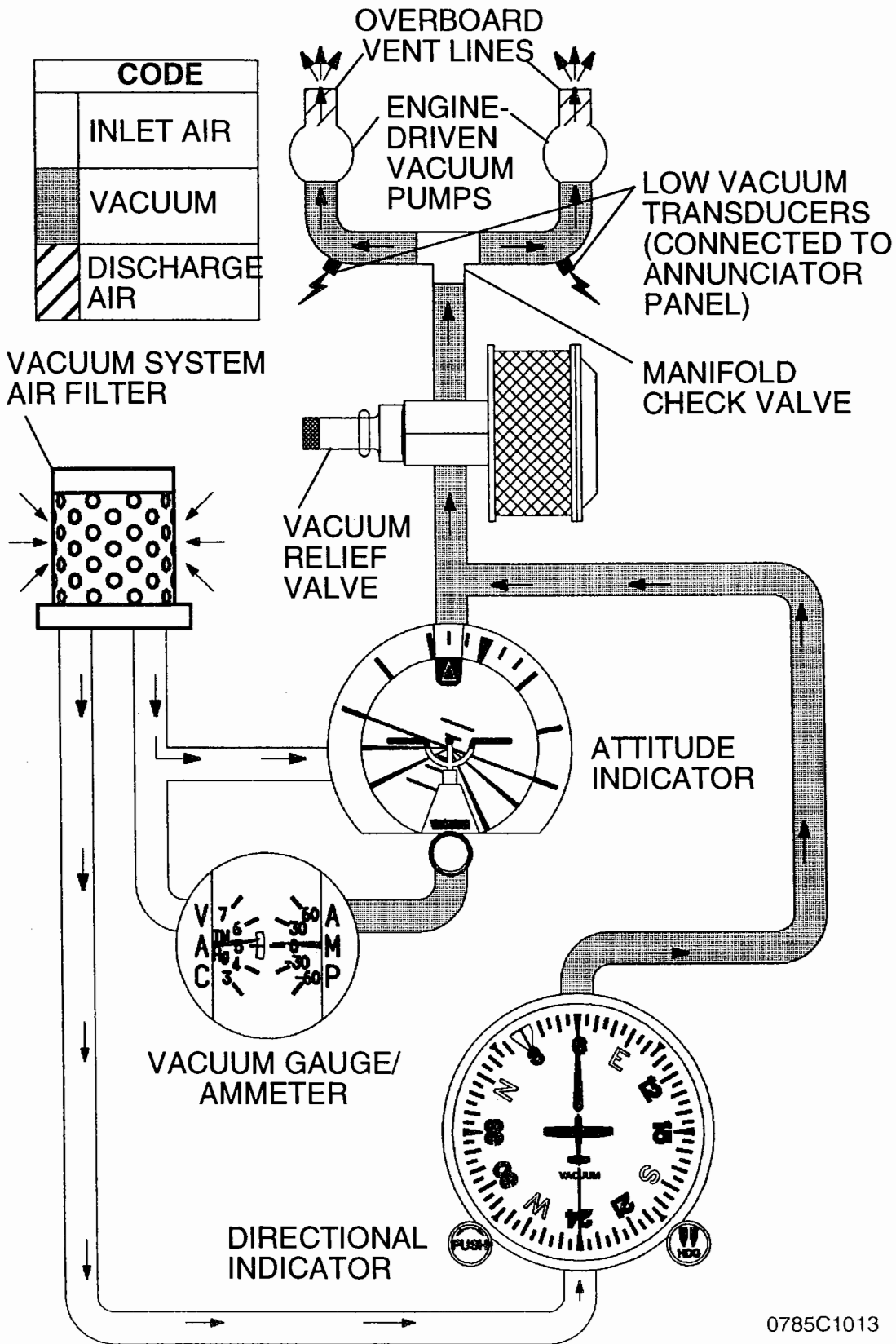
The directional indicator is a vacuum/air-driven gyro that displays airplane heading on a compass card in relation to a fixed simulated airplane image and index. The indicator will precess slightly over a period of time. Therefore, the compass card should be set with the magnetic compass just prior to takeoff, and occasionally readjusted as required throughout the flight. A knob on the lower left edge of the instrument is used to adjust the compass card to correct for precession. A knob on the lower right edge of the instrument is used to move the heading bug.

VACUUM GAUGE

The vacuum gauge is part of the vacuum gauge/ammeter, located on the lower left corner of the instrument panel. It is calibrated in inches of mercury and indicates vacuum available for operation of the Attitude and Directional Indicators. The desired vacuum range is 4.5 to 5.5 inches of mercury. Normally, a vacuum reading out of this range may indicate a system malfunction or improper adjustment, and in this case, the Attitude and Directional gyros should not be considered reliable. However, due to lower atmospheric pressures at higher altitudes, the vacuum gauge may indicate as low as 4.5 in. Hg. at 15,000 feet and still be adequate for normal system operation.

LOW VACUUM ANNUNCIATION

Each engine-driven vacuum pump is plumbed to a common manifold, located forward of the firewall. From the tee, a single line runs into the cabin to operate the various vacuum system instruments. This tee contains check valves to prevent back flow into a pump if it fails. Transducers are located just upstream of the tee and measure vacuum output of each pump.



0785C1013

Figure 7-9. Vacuum System Schematic



If output of the left pump falls below 3.0 in. Hg., the amber L VAC message will flash on the annunciator panel for approximately 10 seconds before turning steady on. If output of the right pump falls below 3.0 in. Hg., the amber VAC R message will flash on the annunciator panel for approximately 10 seconds before turning steady on. If output of both pumps falls below 3.0 in. Hg., the amber L VAC R message will flash on the annunciator panel for approximately 10 seconds before turning steady on.

CLOCK / O.A.T. INDICATOR

An integrated clock / O.A.T. is installed in the upper left side of the instrument panel as standard equipment. For a complete description and operating instructions, refer to the Supplements, Section 9.

STALL WARNING SYSTEM

The airplane is equipped with a vane-type stall warning system consisting of an inlet in the leading edge of the left wing, which is electrically connected to a stall warning horn located in the headliner above the left cabin door. A 5-amp push-to-reset circuit breaker labeled STALL WARN, on the left side of the switch and control panel, protects the stall warning system. The vane in the wing senses the change in airflow over the wing, and operates the warning horn at airspeeds between 5 and 10 knots above the stall in all configurations.

The airplane has a heated stall warning system, the vane and sensor unit in the wing leading edge is equipped with a heating element. The heated part of the system is operated by the PITOT HEAT switch, and is protected by the PITOT HEAT circuit breaker.

The stall warning system should be checked during the pre-flight inspection by momentarily turning on the master switch and actuating the vane in the wing. The system is operational if the warning horn sounds as the vane is pushed upward.



STANDARD AVIONICS

Standard avionics for the Model 182T airplanes include the following equipment:

- Nav/Com Radio with Glide Slope Indicator Head
- Transponder
- Audio Panel
- Emergency Locator Transmitter (ELT)
- Dual Axis Autopilot

For complete operating instructions on the standard and optional avionics systems, refer to the Supplements, Section 9.

AVIONICS SUPPORT EQUIPMENT

Avionics operations are supported by the avionics cooling fan, microphone and headset installations and static discharge wicks.

AVIONICS COOLING FAN

An avionics cooling fan is installed on the left side of the interior firewall. The system utilizes a single electric fan and associated ductwork to force-cool the center stack radios.

Power to the electric fan is supplied through the AVN FAN circuit breaker. The fan operates whenever the Master and Avionics Master switches are ON.

MICROPHONE AND HEADSET INSTALLATIONS

Standard equipment for the airplane includes a hand-held microphone, an overhead speaker, two remote-keyed microphone switches on the control wheels, and provisions for boom mics/headsets at each pilot and passenger station.

The hand-held microphone contains an integral push-to-talk switch. This microphone is plugged into the center pedestal and is accessible to both the pilot and front passenger. Depressing the push-to-talk switch allows audio transmission on the Com radios.



The overhead speaker is located in the center overhead console. Volume and output for this speaker is controlled through the audio panel.

Each control wheel contains a miniature push-to-talk switch. This switch allows the pilot or front passenger to transmit on the Com radios using remote mics.

Each station of the airplane is wired for aviation-style headsets. Mic and headphone jacks are located on each respective arm rest and allow for communications between passengers and pilot. The system is wired so that microphones are all voice-activated. Additional wiring provisions inside the audio panel ensure that only the pilot or front passenger can transmit through the com radios.

NOTE

To ensure audibility and clarity when transmitting with the handheld microphone, always hold it as closely as possible to the lips, then key the microphone and speak directly into it. Avoid covering opening on back side of microphone for optimum noise canceling.

AUXILIARY AUDIO INPUT JACK

An auxiliary audio input jack is located on the right hand side of the pedestal. It allows entertainment audio devices such as cassette players and compact disc players to play music through all of the aircraft's headsets. For a more complete description and operating instructions, refer to the Supplements, Section 9.

POWER CONVERTER

A power converter located in the tail of the aircraft reduces the aircraft's 28 VDC power to 12 VDC. This converter provides up to 10 amps of power to operate portable devices such as notebook computers and audio players. A single power output connector is located on the pedestal cover. For a more complete description and operating instructions, refer to the Supplements, Section 9.



STATIC DISCHARGERS

Static wicks (static dischargers) are installed at various points throughout the airframe to reduce interference from precipitation static. Under some severe static conditions, loss of radio signals is possible even with static dischargers installed. Whenever possible, avoid known severe precipitation areas to prevent loss of dependable radio signals. If avoidance is impractical, minimize airspeed and anticipate temporary loss of radio signals while in these areas.

Static dischargers lose their effectiveness with age, and therefore, should be checked periodically (at least at every annual inspection) by qualified avionics technicians, etc.

CABIN FEATURES

EMERGENCY LOCATOR TRANSMITTER (ELT)

A remote switch/annunciator is installed on the top center location of the copilot's instrument panel for control of the ELT from the flight crew station. The annunciator, which is in the center of the rocker switch, illuminates when the ELT transmitter is transmitting. The ELT emits an omni-directional signal on the international distress frequencies of 121.5 MHz and 243.0 MHz. General aviation and commercial aircraft, the FAA and CAP monitor 121.5 MHz, and 243.0 MHz is monitored by the military. For a basic overview of the ELT, refer to the Supplements, Section 9.

CABIN FIRE EXTINGUISHER

A portable Halon 1211 (Bromochlorodifluoromethane) fire extinguisher is standard for installation on the floorboard near the pilot's seat where it would be accessible in case of fire. The extinguisher has an Underwriters Laboratories classification of 5B:C. If installed, the extinguisher should be checked prior to each flight to ensure that its bottle pressure, as indicated by the gauge on the bottle, is within the green arc (approximately 125 psi) and the operating lever lock pin is securely in place.

To operate the fire extinguisher:



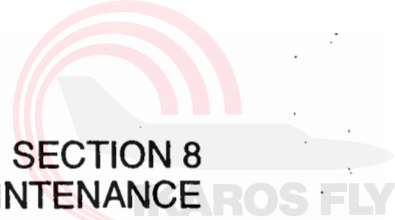
1. Loosen retaining clamp(s) and remove extinguisher from bracket.
2. Hold extinguisher upright, pull operating ring pin, and press lever while directing the discharge at the base of the fire at the near edge. Progress toward the back of the fire by moving the nozzle rapidly with a side to side sweeping motion.

 WARNING

VENTILATE THE CABIN PROMPTLY AFTER SUCCESSFULLY EXTINGUISHING THE FIRE TO REDUCE THE GASES PRODUCED BY THERMAL DECOMPOSITION.

3. Anticipate approximately eight seconds of discharge duration.

Fire extinguishers should be recharged by a qualified fire extinguisher agency after each use. Such agencies are listed under "Fire Extinguisher" in the telephone directory. After recharging, secure the extinguisher to its mounting bracket; do not allow it to lie loose on shelves or seats.



SECTION 8

AIRPLANE HANDLING, SERVICE & MAINTENANCE

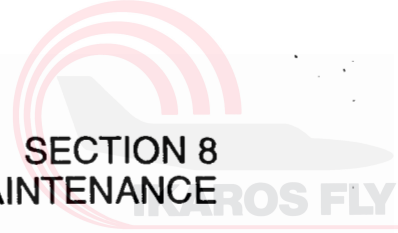
TABLE OF CONTENTS

	Page
Introduction	8-3
Identification Plate	8-4
Cessna Owner Advisories	8-4
United States Airplane Owners	8-5
International Airplane Owners	8-5
Publications	8-5
Airplane File	8-6
Airplane Inspection Periods	8-7
FAA Required Inspections	8-7
Cessna Inspection Programs	8-8
Cessna Customer Care Program	8-8
Pilot Conducted Preventive Maintenance	8-9
Alterations Or Repairs	8-9
Ground Handling	8-10
Towing	8-10
Parking	8-10
Tie-Down	8-10
Jacking	8-11
Leveling	8-11
Flyable Storage	8-12
Servicing	8-12
Oil	8-13
Oil Specification	8-13
Recommended Viscosity for Temperature Range	8-14



TABLE OF CONTENTS (Continued)

	Page
Capacity of Engine Sump	8-14
Oil and Oil Filter Change	8-14
Fuel	8-15
Approved Fuel Grades (and Colors)	8-15
Fuel Capacity	8-16
Fuel Additives	8-16
Fuel Contamination	8-20
Landing Gear	8-21
Cleaning And Care	8-21
Windshield And Windows	8-21
Painted Surfaces	8-22
Propeller Care	8-23
Engine Care	8-23
Interior Care	8-24



INTRODUCTION

This section contains factory recommended procedures for proper ground handling and routine care and servicing of your airplane. It also identifies certain inspection and maintenance requirements which must be followed if your airplane is to retain that new airplane performance and dependability. It is important to follow a planned schedule of lubrication and preventive maintenance based on climatic and flying conditions encountered in your local area.

Keep in touch with your local Cessna Service Station and take advantage of their knowledge and experience. Your Cessna Service Station knows your airplane and how to maintain it, and will remind you when lubrications and oil changes are necessary, as well as other seasonal and periodic services.

The airplane should be regularly inspected and maintained in accordance with information found in the airplane maintenance manual and in company issued service bulletins and service newsletters. All service bulletins pertaining to the aircraft by serial number should be accomplished and the airplane should receive repetitive and required inspections. Cessna does not condone modifications, whether by Supplemental Type Certificate or otherwise, unless these certificates are held and/or approved by Cessna. Other modifications may void warranties on the airplane since Cessna has no way of knowing the full effect on the overall airplane. Operation of an airplane that has been modified may be a risk to the occupants, and operating procedures and performance data set forth in the operating handbook may no longer be considered accurate for the modified airplane.



IDENTIFICATION PLATE

All correspondence regarding your airplane should include the Serial Number. The Serial Number, Model Number, Production Certificate Number (PC) and Type Certificate Number (TC) can be found on the Identification Plate, located on the aft left tailcone. A secondary Identification Plate is also installed on the lower part of the left forward doorpost. Located adjacent to the secondary Identification Plate is the Finish and Trim Plate which contains a code describing the exterior paint combination of the airplane. The code may be used in conjunction with an applicable Illustrated Parts Catalog if finish and trim information is needed.

CESSNA OWNER ADVISORIES

Cessna Owner Advisories are sent to Cessna Aircraft FAA Registered owners of record at no charge to inform them about mandatory and/or beneficial aircraft service requirements and product changes. Copies of the actual bulletins are available from Cessna Service Stations and Cessna Customer Service.



UNITED STATES AIRPLANE OWNERS

If your airplane is registered in the U. S., appropriate Cessna Owner Advisories will be mailed to you automatically according to the latest aircraft registration name and address which you have provided to the FAA. Therefore, it is important that you provide correct and up-to-date mailing information to the FAA.

If you require a duplicate Owner Advisory to be sent to an address different from the FAA aircraft registration address, please complete and return an Owner Advisory Application (otherwise no action is required on your part).

INTERNATIONAL AIRPLANE OWNERS

To receive Cessna Owner Advisories, please complete and return an Owner Advisory Application.

Receipt of a valid Owner Advisory Application will establish your Cessna Owner Advisory service for one year, after which you will be sent a renewal notice. It is important that you respond promptly to update your address for this critical service.

PUBLICATIONS

Various publications and flight operation aids are furnished in the airplane when delivered from the factory. These items are listed below.

- Customer Care Program Handbook
- Pilot's Operating Handbook and FAA Approved Airplane Flight Manual
- Pilot's Checklist
- Passenger Briefing Card
- Cessna Sales and Service Directory

To obtain additional publications or owner advisory information, you may contact Cessna's Product Support Department at (316) 517-5800. Fax (316) 517-7271 or write to Cessna Aircraft Company, P.O. Box 7706, Wichita, KS 67277, Dept 751C.



The following additional publications, plus many other supplies that are applicable to your airplane, are available from your local Cessna Dealer.

- Information Manual (contains Pilot's Operating Handbook Information)
- Maintenance Manual, Wiring Diagram Manual and Illustrated Parts Catalog

Your local Cessna Service Station has a Customer Care Supplies and Publications Catalog covering all available items, many of which the Service Station keeps on hand. The Service Station can place an order for any item which is not in stock.

NOTE

A Pilot's Operating Handbook and FAA Approved Airplane Flight Manual which is lost or destroyed may be replaced by contacting your local Cessna Service Station. An affidavit containing the owner's name, airplane serial number and reason for replacement must be included in replacement requests since the Pilot's Operating Handbook and FAA Approved Airplane Flight Manual is identified for specific serial numbered airplanes only.

AIRPLANE FILE

There are miscellaneous data, information and licenses that are a part of the airplane file. The following is a checklist for that file. In addition, a periodic check should be made of the latest Federal Aviation Regulations to ensure that all data requirements are met.

To be displayed in the airplane at all times:

1. Aircraft Airworthiness Certificate (FAA Form 8100-2).
2. Aircraft Registration Certificate (FAA Form 8050-3).
3. Aircraft Radio Station License, (if applicable).



To be carried in the airplane at all times:

1. Current Pilot's Operating Handbook and FAA Approved Airplane Flight Manual.
2. Weight and Balance, and associated papers (latest copy of the Repair and Alteration Form, FAA Form 337, if applicable).
3. Equipment List.

To be made available upon request:

1. Airplane Logbook.
2. Engine Logbook.

Most of the items listed are required by the United States Federal Aviation Regulations. Since the Regulations of other nations may require other documents and data, owners of airplanes not registered in the United States should check with their own aviation officials to determine their individual requirements.

Cessna recommends that these items, plus the Pilot's Checklists, Customer Care Program Handbook and Customer Care Card, be carried in the airplane at all times.

AIRPLANE INSPECTION PERIODS

FAA REQUIRED INSPECTIONS

As required by U.S. Federal Aviation Regulations, all civil aircraft of U.S. registry must undergo a complete inspection (annual) each twelve calendar months. In addition to the required annual inspection, aircraft operated commercially (for hire) must have a complete inspection every 100 hours of operation.

The FAA may require other inspections by the issuance of airworthiness directives applicable to the airplane, engine, propeller and components. It is the responsibility of the owner/operator to ensure compliance with all applicable airworthiness directives, and when the inspections are repetitive, to take appropriate steps to prevent inadvertent noncompliance.



CESSNA INSPECTION PROGRAMS

In lieu of the 100 hour and annual inspection requirements, an airplane may be inspected in accordance with a Progressive Care Inspection Program or a PhaseCard Inspection Program. Both programs offer systems which allow the work load to be divided into smaller operations that can be accomplished in shorter time periods.

The Cessna Progressive Care Inspection Program allows an airplane to be inspected and maintained in four operations. The four operations are recycled each 200 hours and are recorded in a specially provided Aircraft Inspection Log as each operation is conducted.

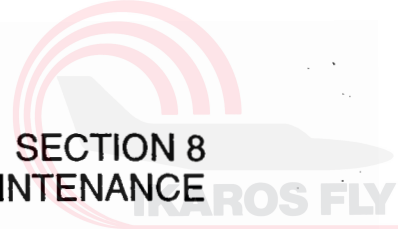
The PhaseCard Inspection Program offers a parallel system for high-utilization flight operations (approximately 600 flight hours per year). This system utilizes 50 hour intervals (Phase 1 and Phase 2) to inspect high-usage systems and components. At 12 months or 600 flight hours, whichever occurs first, the airplane undergoes a complete (Phase 3) inspection.

Regardless of the inspection method selected, the owner should keep in mind that FAR Part 43 and FAR Part 91 establishes the requirement that properly certified agencies or personnel accomplish all required FAA inspections and most of the manufacturer recommended inspections.

CESSNA CUSTOMER CARE PROGRAM

Specific benefits and provisions of the Cessna Warranty plus other important benefits for you are contained in your Customer Care Program Handbook supplied with your airplane. The Customer Care Program Handbook should be thoroughly reviewed and kept in the airplane at all times.

You will also want to return to your Cessna Service Station either at 50 hours for your first Progressive Care Operation, or at 100 hours for your first 100 hour inspection depending on which program you choose to establish for your airplane. While these important inspections will be performed for you by any Cessna Service Station, in most cases you will prefer to have the Cessna Service Station from whom you purchased the airplane accomplish this work.



PILOT CONDUCTED PREVENTIVE MAINTENANCE

A certified pilot who owns or operates an airplane not used as an air carrier is authorized by FAR Part 43 to perform limited maintenance on his airplane. Refer to FAR Part 43 for a list of the specific maintenance operations which are allowed.

NOTE

Pilots operating airplanes of other than U.S. registry should refer to the regulations of the country of certification for information on preventive maintenance that may be performed by pilots.

A Maintenance Manual must be obtained prior to performing any preventive maintenance to ensure that proper procedures are followed. Your local Cessna Service Station should be contacted for further information or for required maintenance which must be accomplished by appropriately licensed personnel.

ALTERATIONS OR REPAIRS

It is essential that the FAA be contacted prior to any alterations on the airplane to ensure that airworthiness of the airplane is not violated. Alterations or repairs to the airplane must be accomplished by licensed personnel, utilizing only FAA Approved components and FAA Approved data, such as Cessna Service Bulletins.



GROUND HANDLING

TOWING

The airplane is most easily and safely maneuvered by hand with the tow bar attached to the nose wheel (the tow bar is stowed on the floor in the baggage area). When towing with a vehicle, do not exceed the nose gear turning angle of 29° either side of center, or damage to the nose landing gear will result.

CAUTION

REMOVE ANY INSTALLED RUDDER LOCK BEFORE TOWING.

If the airplane is towed or pushed over a rough surface during hangaring, watch that the normal cushioning action of the nose strut does not cause excessive vertical movement of the tail and the resulting contact with low hangar doors or structure. A flat nose tire or deflated strut will also increase tail height.

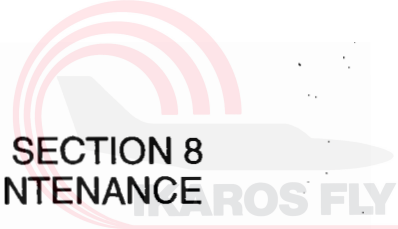
PARKING

When parking the airplane, head into the wind and set the parking brake. Do not set the parking brake during cold weather when accumulated moisture may freeze the brakes, or when the brakes are overheated. Install the control wheel lock and chock the wheels. In severe weather and high wind conditions, tie the airplane down as outlined in the following paragraph.

TIE-DOWN

Proper tie-down procedure is the best precaution against damage to the parked airplane by gusty or strong winds. To tie-down the airplane securely, proceed as follows:

1. Set the parking brake and install the control wheel lock.
2. Install a surface control lock over the fin and rudder.
3. Tie sufficiently strong ropes or chains (700 pounds tensile strength) to the wing, tail and nose tie-down fittings and secure each rope or chain to a ramp tie-down.
4. Install a pitot tube cover.



JACKING

When a requirement exists to jack the entire airplane off the ground, or when wing jack points are used in the jacking operation, refer to the Maintenance Manual for specific procedures and equipment required.

Individual main gear may be jacked by using the jack pad which is incorporated in the main landing gear strut step bracket. When using the individual gear strut jack pad, flexibility of the gear strut will cause the main wheel to slide inboard as the wheel is raised, tilting the jack. The jack must then be lowered for a second jacking operation. Do not jack both main wheels simultaneously using the individual main gear jack pads.

CAUTION

DO NOT APPLY PRESSURE ON THE ELEVATOR OR HORIZONTAL STABILIZER SURFACES. WHEN PUSHING ON THE TAILCONE, ALWAYS APPLY PRESSURE AT A BULKHEAD TO AVOID BUCKLING THE SKIN.

If nose gear maintenance is required, the nose wheel may be raised off the ground by pressing down on a tailcone bulkhead, just forward of the horizontal stabilizer, and allowing the tail to rest on the tail tie-down ring.

To assist in raising and holding the nose wheel off the ground, ground anchors should be utilized at the tail tie down point.

NOTE

Ensure that the nose will be held off the ground under all conditions by means of suitable stands or supports under weight supporting bulkheads near the nose of the airplane.

LEVELING

Longitudinal leveling of the airplane is accomplished by placing a level on leveling screws located on the left side of the tailcone. Deflate the nose tire and/or lower or raise the nose strut to properly center the bubble in the level. Corresponding points on both upper door sills may be used to level the airplane laterally.



FLYABLE STORAGE

Airplanes placed in non operational storage for a maximum of 30 days or those which receive only intermittent operational use for the first 25 hours are considered in flyable storage status. Every seventh day during these periods, the propeller should be rotated by hand through five revolutions. This action "limbers" the oil and helps prevent any accumulation of corrosion on engine cylinder walls.

WARNING

FOR MAXIMUM SAFETY, CHECK THAT THE IGNITION SWITCH IS OFF, THE THROTTLE IS CLOSED, THE MIXTURE CONTROL IS IN THE IDLE CUT OFF POSITION, AND THE AIRPLANE IS SECURED BEFORE ROTATING THE PROPELLER BY HAND. DO NOT STAND WITHIN THE ARC OF THE PROPELLER BLADES WHILE TURNING THE PROPELLER.

After 30 days, the airplane should be flown for 30 minutes or a ground runup should be made just long enough to produce an oil temperature within the lower green arc range. Excessive ground runup should be avoided.

Engine runup also helps to eliminate excessive accumulations of water in the fuel system and other air spaces in the engine. Keep fuel tanks full to minimize condensation in the tanks. Keep the battery fully charged to prevent the electrolyte from freezing in cold weather. If the airplane is to be stored temporarily, or indefinitely, refer to the Maintenance Manual for proper storage procedures.

SERVICING

In addition to the Preflight Inspection covered in Section 4 of this handbook, complete servicing, inspection and test requirements for your airplane are detailed in the Maintenance Manual. The Maintenance Manual outlines all items which require attention at specific intervals plus those items which require servicing, inspection, and/or testing at special intervals.



Since Cessna Service Stations conduct all service, inspection, and test procedures in accordance with applicable Maintenance Manuals, it is recommended that you contact your local Cessna Service Station concerning these requirements and begin scheduling your airplane for service at the recommended intervals.

Cessna Progressive Care ensures that these requirements are accomplished at the required intervals to comply with the 100 hour or annual inspection as previously covered.

Depending on various flight operations, your local Government Aviation Agency may require additional service, inspections, or tests. For these regulatory requirements, owners should check with local aviation officials where the airplane is being operated.

For quick and ready reference, quantities, materials and specifications for frequently used service items are as follows.

OIL

OIL SPECIFICATION

MIL-L-6082 or SAE 1966 Aviation Grade Straight Mineral Oil: Used when the airplane was delivered from the factory and should be used to replenish the supply during the first 25 hours. This oil should be drained and filter replaced after the first 25 hours of operation. Refill the engine and continue to use until a total of 50 hours has accumulated or oil consumption has stabilized.

MIL-L-22851 or SAE J1899 Aviation Grade Ashless Dispersant Oil: Oil conforming to Textron Lycoming Service Instruction No. 1014, and all revisions and supplements thereto, must be used after first 50 hours or when oil consumption has stabilized.



RECOMMENDED VISCOSITY FOR TEMPERATURE RANGE

Multiviscosity or straight grade oil may be used throughout the year for engine lubrication. Refer to the following table for temperature verses viscosity ranges.

Temperature	MIL-L-6082 SAE Grade	MIL-L-22851 Ashless Dispersant SAE Grade
Above 27°C (80°F)	60	60
Above 16°C (60°F)	50	40 or 50
-1°C (30°F) to 32°C (90°F)	40	40
-18°C (0°F) to 21°C (70°F)	30	30, 40 or 20W-40
Below -12°C (10°F)	20	30 or 20W-30
-18°C (0°F) to -32°C (90°F)	20W-50	20W-50 or 15W-50
All Temperatures	--	15W-50 or 20W-50

CAPACITY OF ENGINE SUMP

The engine has a total capacity of 10 quarts, with the oil filter accounting for approximately one quart of that total. The engine oil sump has a capacity of 9 quarts. The engine must not be operated on less than 4 quarts (as measured by the dipstick). For extended flights, the engine should be filled to capacity.

OIL AND OIL FILTER CHANGE

After the first 25 hours of operation, drain the engine oil sump and replace the filter. Refill sump with straight mineral oil and use until a total of 50 hours has accumulated or oil consumption has stabilized; then change to ashless dispersant oil. Ashless dispersant oil (and oil filter) should then be changed at time intervals set forth by the engine manufacturer.

NOTE

During the first 25 hour oil and filter change, a general inspection of the overall engine compartment is required. Items which are not normally checked during a preflight inspection should be given special attention. Hoses, metal lines and fittings should be inspected for signs of oil and fuel leaks, and checked for abrasions, chafing, security, proper routing and support, and evidence of deterioration. Inspect the intake and exhaust systems for cracks, evidence of leakage, and security of attachment. Engine controls and linkages should be checked for freedom of movement through their full range, security of attachment and evidence of wear. Inspect wiring for security, chafing, burning, defective insulation, loose or broken terminals, heat deterioration, and corroded terminals. Check the alternator belt in accordance with Maintenance Manual instructions, and retighten if necessary. A periodic check of these items during subsequent servicing operations is recommended.

FUEL

APPROVED FUEL GRADES (AND COLORS)

- 100LL Grade Aviation Fuel (Blue).
- 100 Grade Aviation Fuel (Green).

NOTE

Isopropyl alcohol or diethylene glycol monomethyl ether (DiEGME) may be added to the fuel supply in quantities not to exceed 1% (alcohol) or 0.15% (DiEGME) of total volume. Refer to Fuel Additives in later paragraphs for additional information.



FUEL CAPACITY

92.0 U.S. Gallons Total: 46.0 U.S. Gallons per tank.

NOTE

To ensure maximum fuel capacity when refueling and minimize cross feeding, the fuel selector valve should be placed in either the LEFT or RIGHT position and the airplane parked in a wings level, normal ground attitude. Refer to Figure 1-1 for a definition of normal ground attitude.

Service the fuel system after each flight, and keep fuel tanks full to minimize condensation in the tanks.

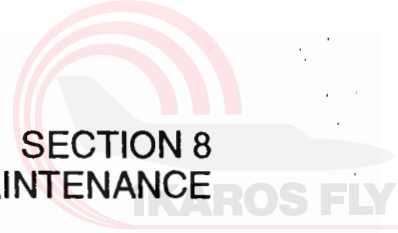
FUEL ADDITIVES

Strict adherence to recommended preflight draining instructions as called for in Section 4 will eliminate any free water accumulations from the tank sumps. While small amounts of water may still remain in solution in the gasoline, it will normally be consumed and go unnoticed in the operation of the engine.

One exception to this can be encountered when operating under the combined effect of: (1) use of certain fuels, with (2) high humidity conditions on the ground (3) followed by flight at high altitude and low temperature. Under these unusual conditions, small amounts of water in solution can precipitate from the fuel stream and freeze in sufficient quantities to induce partial icing of the engine fuel system.

While these conditions are quite rare and will not normally pose a problem to owners and operators, they do exist in certain areas of the world and consequently must be dealt with, when encountered.

Therefore, to help alleviate the possibility of fuel icing occurring under these unusual conditions, it is permissible to add isopropyl alcohol or diethylene glycol monomethyl ether (DiEGME) compound to the fuel supply.



The introduction of alcohol or DiEGME compound into the fuel provides two distinct effects: (1) it absorbs the dissolved water from the gasoline and (2) alcohol has a freezing temperature depressant effect.

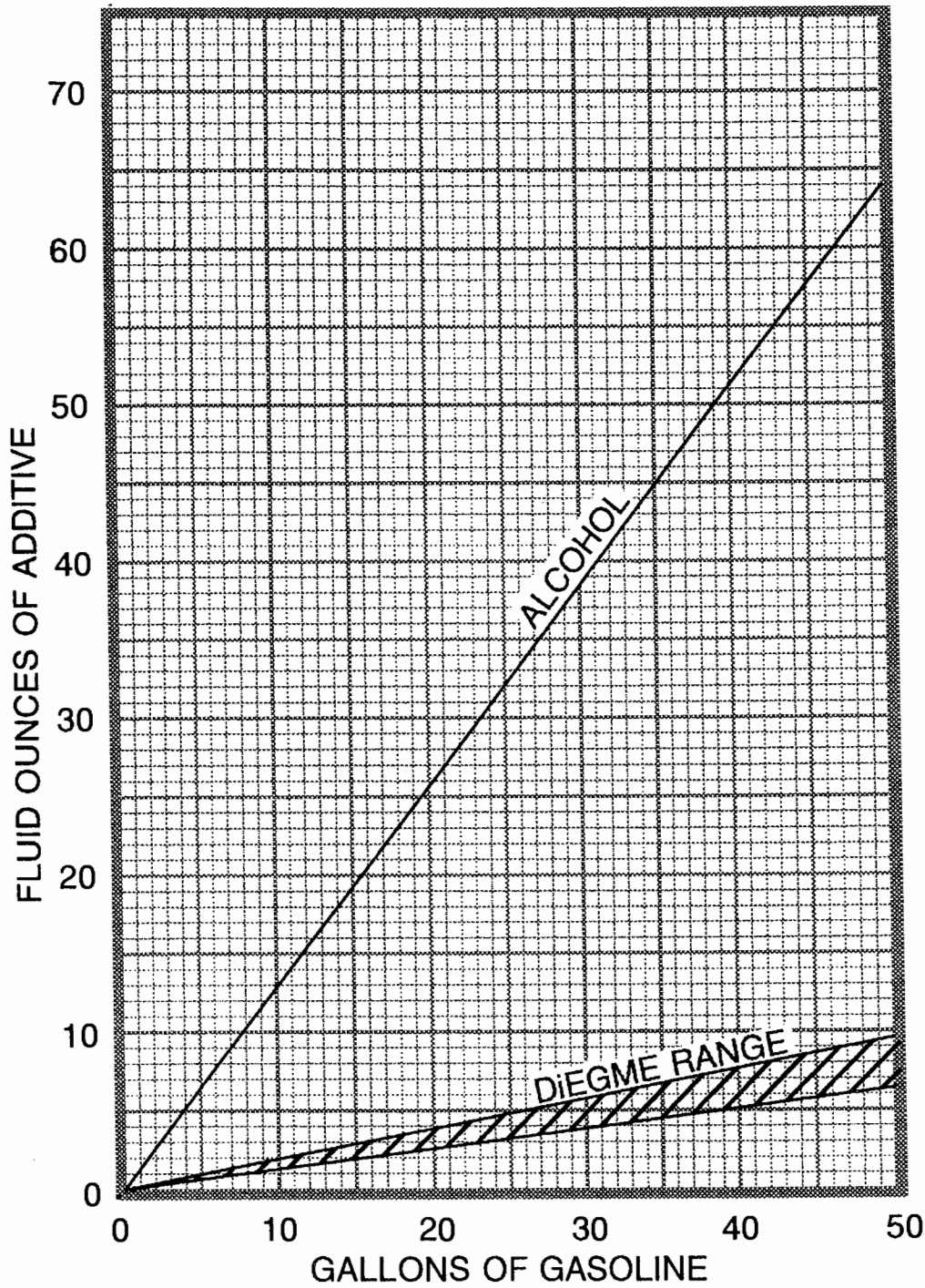
NOTE

When using fuel additives, it must be remembered that the final goal is to obtain a correct fuel-to-additive ratio in the tank, and not just with fuel coming out of the refueling nozzle. For example, adding 15 gallons of correctly proportioned fuel to a tank which contains 20 gallons of untreated fuel will result in a lower-than-acceptable concentration level to the 35 gallons of fuel which now reside in the tank.

Alcohol, if used, is to be blended with the fuel in a concentration of 1% by volume. Concentrations greater than 1% are not recommended since they can be detrimental to fuel tank materials.

The manner in which the alcohol is added to the fuel is significant because alcohol is most effective when it is completely dissolved in the fuel. To ensure proper mixing, the following is recommended:

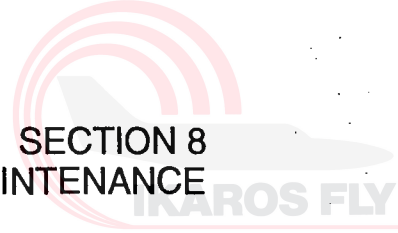
1. For best results, the alcohol should be added during the fueling operation by pouring the alcohol directly on the fuel stream issuing from the fueling nozzle.
2. An alternate method that may be used is to premix the complete alcohol dosage with some fuel in a separate clean container (approximately 2-3 gallon capacity) and then transferring this mixture to the tank prior to the fuel operation.



0585C1001



Figure 8-1. Fuel Mixing Ratio



Diethylene glycol monomethyl ether (DiEGME) compound must be carefully mixed with the fuel in concentrations between 0.10% (minimum) and 0.15% (maximum) of total fuel volume. Refer to Figure 8-1 for a DiEGME-to-fuel mixing chart.

⚠ WARNING

ANTI-ICING ADDITIVE IS DANGEROUS TO HEALTH WHEN BREATHED AND/OR ABSORBED INTO THE SKIN.

⚠ CAUTION

MIXING OF DIEGME WITH FUEL IS EXTREMELY IMPORTANT. A CONCENTRATION IN EXCESS OF THAT RECOMMENDED (0.15% BY VOLUME MAXIMUM) MAY RESULT IN DETRIMENTAL EFFECTS TO THE FUEL TANK AND SEALANT, AND DAMAGE TO O-RINGS AND SEALS USED IN THE FUEL SYSTEM AND ENGINE COMPONENTS. A CONCENTRATION OF LESS THAN THAT RECOMMENDED (0.10% BY TOTAL VOLUME MINIMUM) WILL RESULT IN INEFFECTIVE TREATMENT. USE ONLY BLENDING EQUIPMENT THAT IS RECOMMENDED BY THE MANUFACTURER TO OBTAIN PROPER PROPORTIONING.

Prolonged storage of the airplane will result in a water buildup in the fuel which "leeches out" the additive. An indication of this is when an excessive amount of water accumulates in the fuel tank sumps. The concentration can be checked using a differential refractometer. It is imperative that the technical manual for the differential refractometer be followed explicitly when checking the additive concentration.



FUEL CONTAMINATION

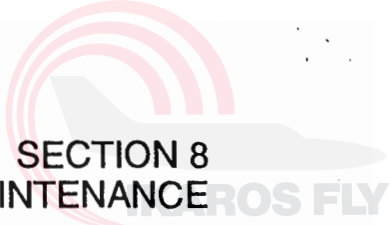
Fuel contamination is usually the result of foreign material present in the fuel system, and may consist of water, rust, sand, dirt, microbes or bacterial growth. In addition, additives that are not compatible with fuel or fuel system components can cause the fuel to become contaminated.

Before each flight and after each refueling, use a clear sampler cup and drain at least a cupful of fuel from each fuel tank drain location and from the fuel strainer quick drain valve to determine if contaminants are present, and to ensure the airplane has been fueled with the proper grade of fuel.

If contamination is detected, drain **all** fuel drain points again, including the fuel selector drain valve, and then gently rock the wings and lower the tail to the ground to move any additional contaminants to the sampling points. Take repeated samples from all fuel drain points until **all** contamination has been removed. If, after repeated sampling, evidence of contamination still exists, the airplane should not be flown. Tanks should be drained and system purged by qualified maintenance personnel. All evidence of contamination must be removed before further flight. If the airplane has been serviced with the improper fuel grade, defuel completely and refuel with the correct grade. Do not fly the airplane with contaminated or unapproved fuel.

In addition, Owners/Operators who are not acquainted with a particular fixed base operator should be assured that the fuel supply has been checked for contamination and is properly filtered before allowing the airplane to be serviced. Fuel tanks should be kept full between flights, provided weight and balance considerations will permit, to reduce the possibility of water condensing on the walls of partially filled tanks.

To further reduce the possibility of contaminated fuel, routine maintenance of the fuel system should be performed in accordance with the airplane Maintenance Manual. Only the proper fuel, as recommended in this handbook, should be used, and fuel additives should not be used unless approved by Cessna and the Federal Aviation Administration.



LANDING GEAR

Consult the following table for servicing information on the landing gear.

COMPONENT	SERVICING CRITERIA
Nose Wheel (5.00-5, 6-Ply Rated Tire)	49.0 PSI
Main Wheel (6.00-6, 6-Ply Rated Tire)	42.0 PSI
Brakes	MIL-H-5606
Nose Gear Shock Strut	MIL-H-5606;55.0-60.0 PSI *

- * Keep strut filled with MIL-H-5606 hydraulic fluid per filling instructions placard, and with no load on the strut, inflate with air to 55.0-60.0 PSI. Do not over inflate.

CLEANING AND CARE

WINDSHIELD AND WINDOWS

The plastic windshield and windows should be cleaned with an aircraft windshield cleaner. Apply the cleaner sparingly with soft cloths, and rub with moderate pressure until all dirt, oil scum and bug stains are removed. Allow the cleaner to dry, then wipe it off with soft flannel cloths.

CAUTION

NEVER USE GASOLINE, BENZENE, ALCOHOL, ACETONE, FIRE EXTINGUISHER, ANTI-ICE FLUID, LACQUER THINNER OR GLASS CLEANER TO CLEAN THE PLASTIC. THESE MATERIALS WILL ATTACK THE PLASTIC AND MAY CAUSE IT TO CRAZE.

If a windshield cleaner is not available, the plastic can be cleaned with soft cloths moistened with Stoddard solvent to remove oil and grease.



Follow by carefully washing with a mild detergent and plenty of water. Rinse thoroughly, then dry with a clean moist chamois. Do not rub the plastic with a dry cloth since this builds up an electrostatic charge which attracts dust. Waxing with a good commercial wax will finish the cleaning job. A thin, even coat of wax, polished out by hand with clean soft flannel cloths, will fill in minor scratches and help prevent further scratching.

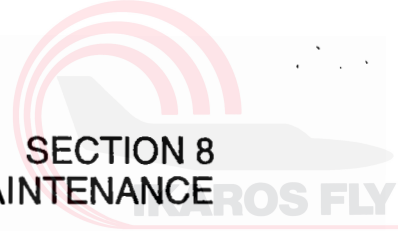
Do not use a canvas cover on the windshield unless freezing rain or sleet is anticipated since the cover may scratch the plastic surface.

PAINTED SURFACES

The painted exterior surfaces of your new Cessna have a durable, long lasting finish.

Generally, the painted surfaces can be kept bright by washing with water and mild soap, followed by a rinse with water and drying with cloths or a chamois. Harsh or abrasive soaps or detergents which cause corrosion or scratches should never be used. Remove stubborn oil and grease with a cloth moistened with Stoddard solvent. Take special care to make sure that the exterior graphics are not touched by the solvent. For complete care of exterior graphics, refer to the Maintenance Manual.

To seal any minor surface chips or scratches and protect against corrosion, the airplane should be waxed regularly with a good automotive wax applied in accordance with the manufacturer's instructions. If the airplane is operated in a seacoast or other salt water environment, it must be washed and waxed more frequently to assure adequate protection. Special care should be taken to seal around rivet heads and skin laps, which are the areas most susceptible to corrosion. A heavier coating of wax on the leading edges of the wings and tail and on the cowl nose cap and propeller spinner will help reduce the abrasion encountered in these areas. Reapplication of wax will generally be necessary after cleaning with soap solution or after chemical deicing operations.



When the airplane is parked outside in cold climates and it is necessary to remove ice before flight, care should be taken to protect the painted surfaces during ice removal with chemical liquids. Isopropyl alcohol will satisfactorily remove ice accumulations without damaging the paint. However, keep the isopropyl alcohol away from the windshield and cabin windows since it will attack the plastic and may cause it to craze.

PROPELLER CARE

Preflight inspection of propeller blades for nicks, and wiping them occasionally with an oily cloth to clean off grass and bug stains will assure long blade life. Small nicks on the propeller, particularly near the tips and on the leading edges, should be dressed out as soon as possible since these nicks produce stress concentrations, and if ignored, may result in cracks or failure of the propeller blade. Never use an alkaline cleaner on the blades; remove grease and dirt with Stoddard solvent.

ENGINE CARE

The engine may be cleaned, using a suitable solvent, in accordance with instructions in the airplane Maintenance Manual. Most efficient cleaning is done using a spray type cleaner. Before spray cleaning, ensure that protection is afforded for components which might be adversely affected by the solvent. Refer to the Maintenance Manual for proper lubrication of controls and components after engine cleaning. The induction air filter should be replaced when its condition warrants, not to exceed 500 hours.



INTERIOR CARE

To remove dust and loose dirt from the upholstery and carpet, clean the interior regularly with a vacuum cleaner.

Blot up any spilled liquid promptly with cleansing tissue or rags. Don't pat the spot; press the blotting material firmly and hold it for several seconds. Continue blotting until no more liquid is taken up. Scrape off sticky materials with a dull knife, then spot clean the area.

Oily spots may be cleaned with household spot removers, used sparingly. Before using any solvent, read the instructions on the container and test it on an obscure place on the fabric to be cleaned. Never saturate the fabric with a volatile solvent; it may damage the padding and backing materials.

Soiled upholstery and carpet may be cleaned with foam type detergent, used according to the manufacturer's instructions. To minimize wetting the fabric, keep the foam as dry as possible and remove it with a vacuum cleaner.

For complete information related to interior cleaning, refer to the Maintenance Manual.